

# HONEYWELL

*See full Datasheet below...*

**onlinecomponents.com**  
*THE ONLINE DISTRIBUTOR OF ELECTRONIC COMPONENTS*

**BUY NOW**

 **MASTER**<sup>TM</sup>  
ELECTRONICS

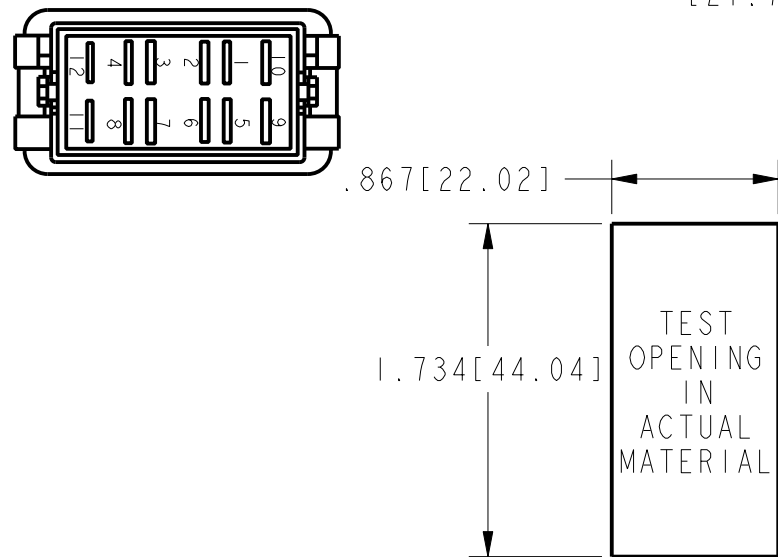
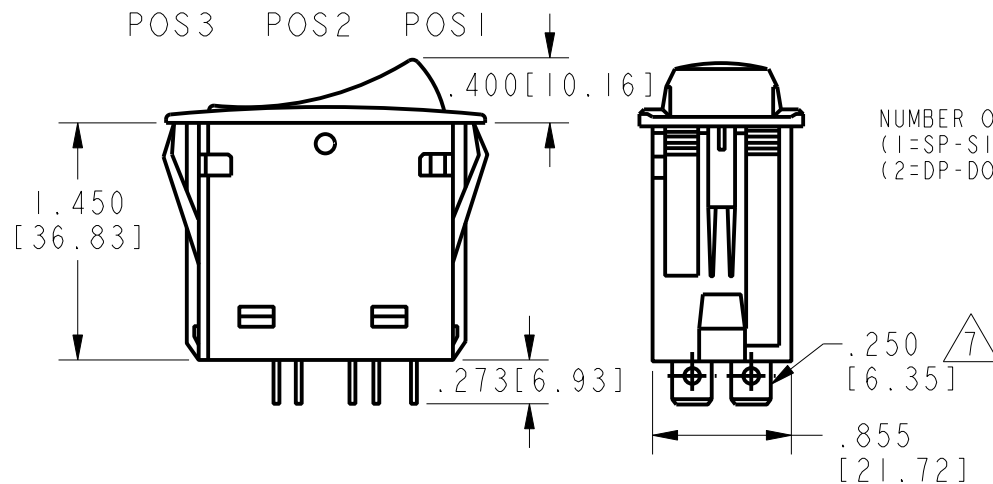
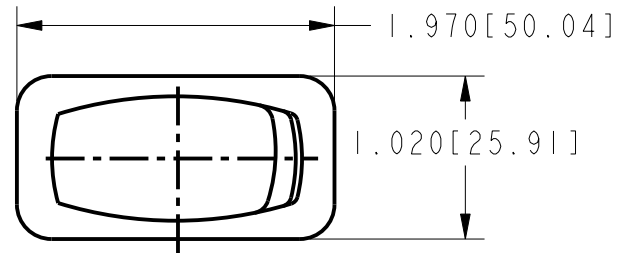
**BUY NOW**

masterelectronics.com & onlinecomponents.com  
are **authorized** e-commerce distributors  
of electronic components.

HONEYWELL  
PART NUMBER

4

REV	DOCUMENT	CHANGED BY	CHECK
A	0016296	LKM 24OCT05	VA



ACTUATOR COLOR (B=BLACK,  
G=GRAY, R=RED, W=WHITE)

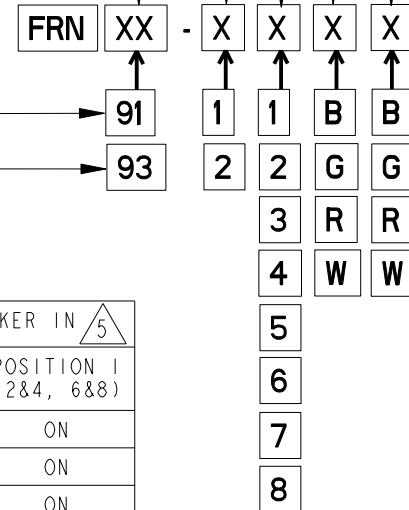
CIRCUITRY (SEE TABLE)

BASE/BEZEL COLOR (B=BLACK,  
G=GRAY, R=RED, W=WHITE)

NUMBER OF POLES  
(1=SP-SINGLE POLE, USES TERMINAL 1-2-4)  
(2=DP-DOUBLE POLE, USES TERMINALS 1-2-4 AND 5-6-8)

TERMINAL STYLE  $\triangle 7$

.250 [6.35] WIDE QUICK  
CONNECT TABS  $\triangle 7$   
.187 [4.76] WIDE QUICK  
CONNECT TABS  $\triangle 7$



	CIRCUIT MADE WITH ROCKER IN $\triangle 5$		
	POSITION 3 (1&2, 5&6)	POSITION 2	POSITION 1 (2&4, 6&8)
1	ON	OFF	ON
2	OFF	NONE	ON
3	ON	NONE	ON
4	(OFF)	NONE	ON
5	(ON)	OFF	ON
6	OFF	NONE	(ON)
7	(ON)	OFF	(ON)
8	(ON)	NONE	ON

ELECTRICAL RATING & APPROVALS $\triangle 7$	
FOR .250 WIDE TABS: 20A, 12V	
FOR .187 WIDE TABS: 15A, 12V	

NOTES

- 1 - OPERATING TEMPERATURE RANGE: -40°F TO +185°F (-40°C TO +85°C)
- 2 - ELECTRICAL LIFE: 50,000 CYCLES MOMENTARY, 100,000 CYCLES MAINTAINED.
- 3 - MECHANICAL LIFE: 250,000 CYCLES MIN
- $\triangle 4$  SEE DIAGRAM FOR CATALOGING SCHEME
- $\triangle 5$  PARENTHESIS DENOTE MOMENTARY ACTION
- 6 - SEALED TO IP67
- $\triangle 7$  TERMINAL WIDTH AND ELECTRICAL RATING DEPENDENT ON STYLE SELECTED

SWITCH  
MOUNTING HOLE

DESIGN UNITS: INCH	DRAWN	CR	13 JUN 05
TOLERANCES UNLESS NOTED:	CHECK	RJ	13 JUN 05
NO PLACE X ± 0.040	THIS DRAWING COVERS A PROPRIETARY ITEM AND IS THE PROPERTY OF HONEYWELL. THIS DRAWING IS NOT TO BE COPIED OR USED WITHOUT THE PERMISSION OF HONEYWELL.		
ONE PLACE .X ± 0.030			
TWO PLACE .XX ± 0.015			
THREE PLACE .XXX ± 0.015			
FOUR PLACE .XXXX ± 0.005			
ANGLES X ± 2			
THIRD ANGLE PROJECTION			

INTERPRET PER ASME Y14.5M-1994 OTHER HONEYWELL ENGINEERING STANDARDS MAY APPLY		SIZE	TYPE	DRAWING NAME	REV
Pro/ENGINEER 2D		B	I	FRN SERIES CHART 1	A
		SCALE	NTS	SHEET	1 OF 1

**Honeywell**

TITLE  
**SWITCH, ROCKER**