

1000W 1U Front End Power Supplies

<https://product.tdk.com/en/power/fps>
www.emea.lambda.tdk.com/fps



Industrial



COTS



Test



COMM



Broadcast

The FPS1000 AC-DC industrial power supplies can be operated in a hot-swap redundant configuration, or used to provide up to 3,000W of bulk power. Up to three power supplies can be fitted in a variety of 19" 1U high racks, for configuration as a single, dual, or triple output. The FPS supplies have internal ORING diodes and current share for automatic parallel operation. Communication is possible with the power supplies using the optional isolated (I²C) interface. AC fail, DC good, remote on/off and a 12V auxiliary output are fitted as standard.

Features

- 1U High
- Hotswap Capable
- High Efficiency
- Full Array of Signals

Benefits

- Utilizes Less Rack Space
- Suitable for N+1 Redundancy
- Less Heat Dissipated in System
- Easier System Monitoring

Model Selector

Model	Output Voltage (V)	Adjustment Range (V) ⁽¹⁾	Maximum Current (A)	Maximum Power (W)	Output Noise (mV)	Efficiency (%) (115/230Vac)	Over Voltage Protection (V)
Front AC Input Configurations							
FPS1000-12/P	12	10.5 - 13.2	72	864	150	80 / 83	14.3 to 15.7
FPS1000-12/PS	12	10.5 - 13.2	72	864	150	80 / 83	14.3 to 15.7
FPS1000-24/P	24	21.5 - 29	40	960	200	83 / 86	31 to 34
FPS1000-24/PS	24	21.5 - 29	40	960	200	83 / 86	31 to 34
FPS1000-32/P	32	28.8 - 38.4	31	992	250	84 / 87	41.5 to 45.5
FPS1000-32/PS	32	28.8 - 38.4	31	992	250	84 / 87	41.5 to 45.5
FPS1000-48/P	48	43 - 58	21	1008	300	85 / 88	62 to 66
FPS1000-48/PS	48	43 - 58	21	1008	300	85 / 88	62 to 66
FPS-S1U/P	Rack (3 slot), contains two blanking panels						
FPS-T1U/P	Rack with 3 individual outputs (floating)						
Rear AC input Configurations							
FPS1000-12	12	10.5 - 13.2	72	864	150	80 / 83	14.3 to 15.7
FPS1000-12/S	12	10.5 - 13.2	72	864	150	80 / 83	14.3 to 15.7
FPS1000-24	24	21.5 - 29	40	960	200	83 / 86	31 to 34
FPS1000-24/S	24	21.5 - 29	40	960	200	83 / 86	31 to 34
FPS1000-32	32	28.8 - 38.4	31	992	250	84 / 87	41.5 to 45.5
FPS1000-32/S	32	28.8 - 38.4	31	992	250	84 / 87	41.5 to 45.5
FPS1000-48	48	43 - 58	21	1008	300	85 / 88	62 to 66
FPS1000-48/S	48	43 - 58	21	1008	300	85 / 88	62 to 66
FPS-S1U	Rack (3 slot), contains two blanking panels						
FPS-T1U	Rack with 3 individual outputs (floating)						

Model Selector (Full Systems)

Model	Description	Output Voltage (V)	Max Current (A)	Max Power (W)
FPS3000-24/P	3 x FPS1000-24/P, 1 x FPS-S1U/P	24	120	2880
FPS3000-24/PS	3 x FPS1000-24/PS, 1 x FPS-S1U/P	24	120	2880
FPS3000-48/P	3 x FPS1000-48/P, 1 x FPS-S1U/P	48	63	3000
FPS3000-48/PS	3 x FPS1000-48/PS, 1 x FPS-S1U/P	48	63	3000

FPS1000-	12	/	S
-----------------	-----------	----------	----------

Output voltage 12, 24, 32, 48

BLANK	No I ² C
S	I ² C interface
P	Front IEC320-C14 AC Inlet Connector
POE*	1500Vac Output to Ground Isolation (output noise 400mV) *FPS1000-48 only

FPS3000-	24	/	S
-----------------	-----------	----------	----------

Output voltage 24, 48

Blank	No I ² C
S	I ² C interface
P	Front IEC320-C14 AC Inlet Connector

Specifications

Model	FPS1000-12	FPS1000-24	FPS1000-32	FPS100048
Input				
Input Voltage Range (2)	Vac / Vdc	85 - 265 / 120 - 360 (Derate to 90% load below 100Vac)		
Input Frequency (2)	Hz	47 - 63		
Input Current (100/200Vac)	A	12 / 6		
Inrush Current	A	<40		
Leakage Current	mA	<1.1 at 230Vac input		
Power Factor Correction	-	>0.98 at full load		
Harmonic Compliance	-	Meets EN61000-3-2 class A (20 - 100% load),		
Hold Up Time (100 Vac input)	ms	20 typical (800W loading)		
Efficiency (typ) 100 / 200Vac	%	See model selector		
Conducted & Radiated EMI	-	Built to meet EN55032B, FCC part 15J-B, VCCI-B		
Immunity	-	See immunity section		
Insulation Class	-	Class I		
Safety Certifications and Markings	-	IEC/UL/CSA/EN62368-1, 60950-1, CE Mark and UKCA Mark		

Immunity

Test	Standard	Test Level	Criteria	Notes
ESD	EN61000-4-2	±8kV air discharge, ±6kV contact discharge	B	See test report on website
Radiated Susceptibility	EN61000-4-3	3V/m	B	
Electrical Fast Transient Burst	EN61000-4-4	±2kV	B	
Surge	EN61000-4-5	±4kV common mode ±2kV differential mode	B	
Conducted Susceptibility	EN61000-4-6	3Vrms, 150kHz - 80 MHz	B	

Specifications					
Model		FPS1000-12	FPS1000-24	FPS1000-32	FPS100048
Output					
Line Regulation	%			<0.4	
Load Regulation	%			<0.8	
Ripple & Noise	mV			See model selector	
Temperature Coefficient	%/°C			<0.02	
Minimum Load	-			No minimum load required	
Overcurrent Protection	%			104 - 125 of maximum output current	
Overvoltage Protection	V			See model selector	
Overtemperature Protection	-			Yes, automatic reset	
Remote Sense	-			Yes (must be connected for proper operation)	
Remote On/Off	-			ON = 0 - 0.6V or Short; OFF = 2 - 15 V or Open. Maximum sink current 2.6mA.	
DC OK	-			Open collector signal. On when Vout > 80 ±5% rated output. Max. sink current 10mA.	
AC Fail and Overtemperature warning	-			Open collector signal. Refer to Instruction Manual	
Standby Voltage	-			12V (11.2 - 12.5V) @ 0.25A isolated (always on)	
Indicators	-			AC OK, DC OK, DC Fail	
Parallel Operation	-			Up to eight FPS1000 units. Refer to Instruction Manual.	
Environmental					
Operating Temperature (non /P models)	°C			0 to +50 100% load, derate 2%/°C, 50 to 60, derate 2.5% /°C, 60 to 70	
Operating Temperature (/P models)	°C			0 to +50 100% load, derate 2%/°C, 50 to 60	
Storage Temperature	°C			-30 to +85	
Humidity (non condensing)	%RH			Operating: 10 - 90, Storage: 10 - 95	
Cooling	-			Internal variable speed fans. Airflow enters from the front.	
Altitude	m			3,000	
Withstand Voltage (For 1 minute)	-			Input to Ground 2kVac, Input to Output 3kVac, Output to Ground 500Vac.	
Isolation Resistance	MΩ			>100 at 25°C, 70%RH. Output to Ground 500Vdc	
Vibration (Non-operating)	-			Meets ETS 300 019	
Shock	-			Meets ETS 300 019	
Other					
Weight (Typ)	g			Power Supply: 2000, Rack: 3700	
Size (LxWxH)	mm			Power supply: 290 x 127 x 41 Rack: 351 x 483 x 43.6	
Size (LxWxH)	in			Power supply: 11.4 x 5 x 1.61 Rack: 13.8 x 19 x 1.72	
MTBF - JEITA	Hours			79,395	
Warranty	Years			2	

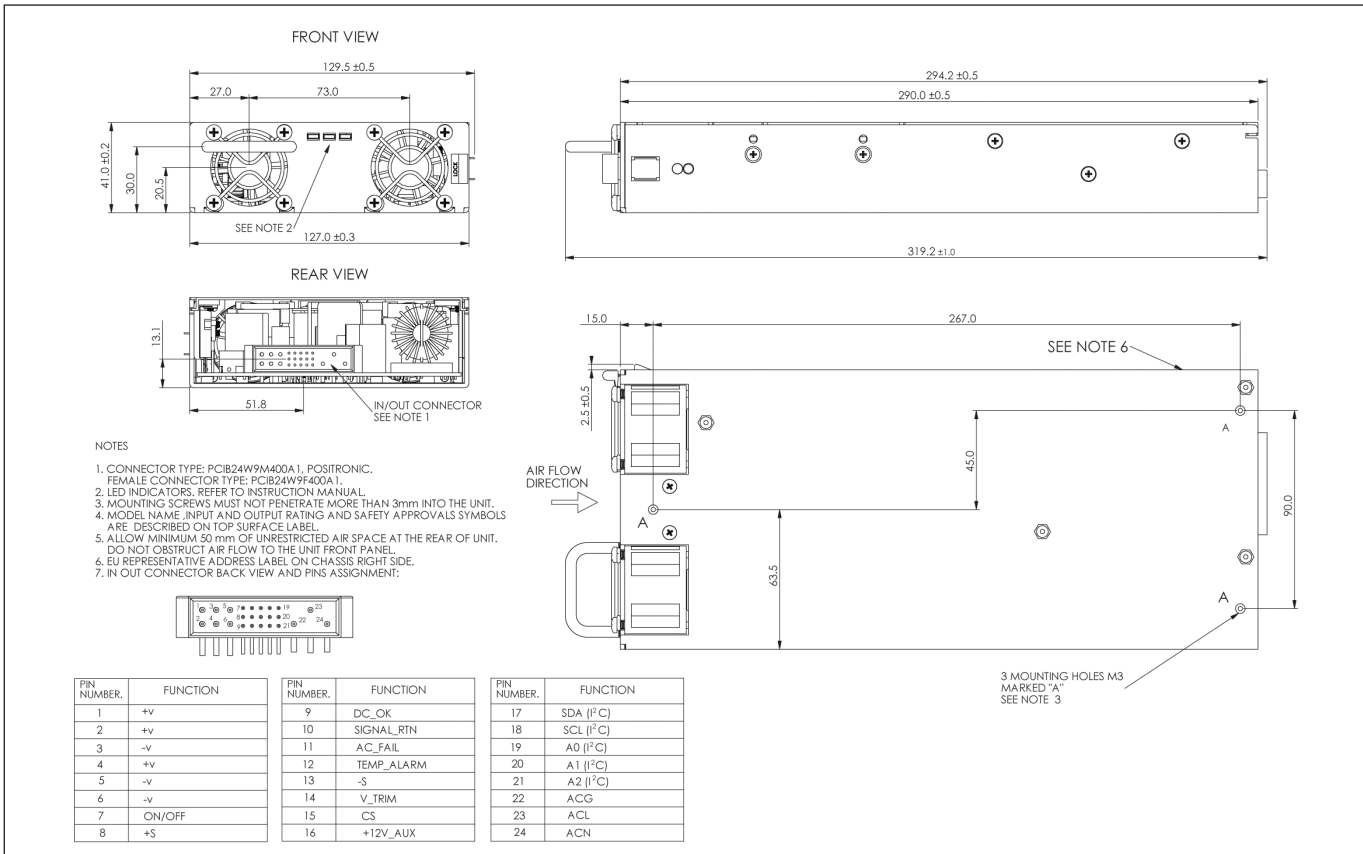
Notes

See website for detailed specifications, test methods and installation manual

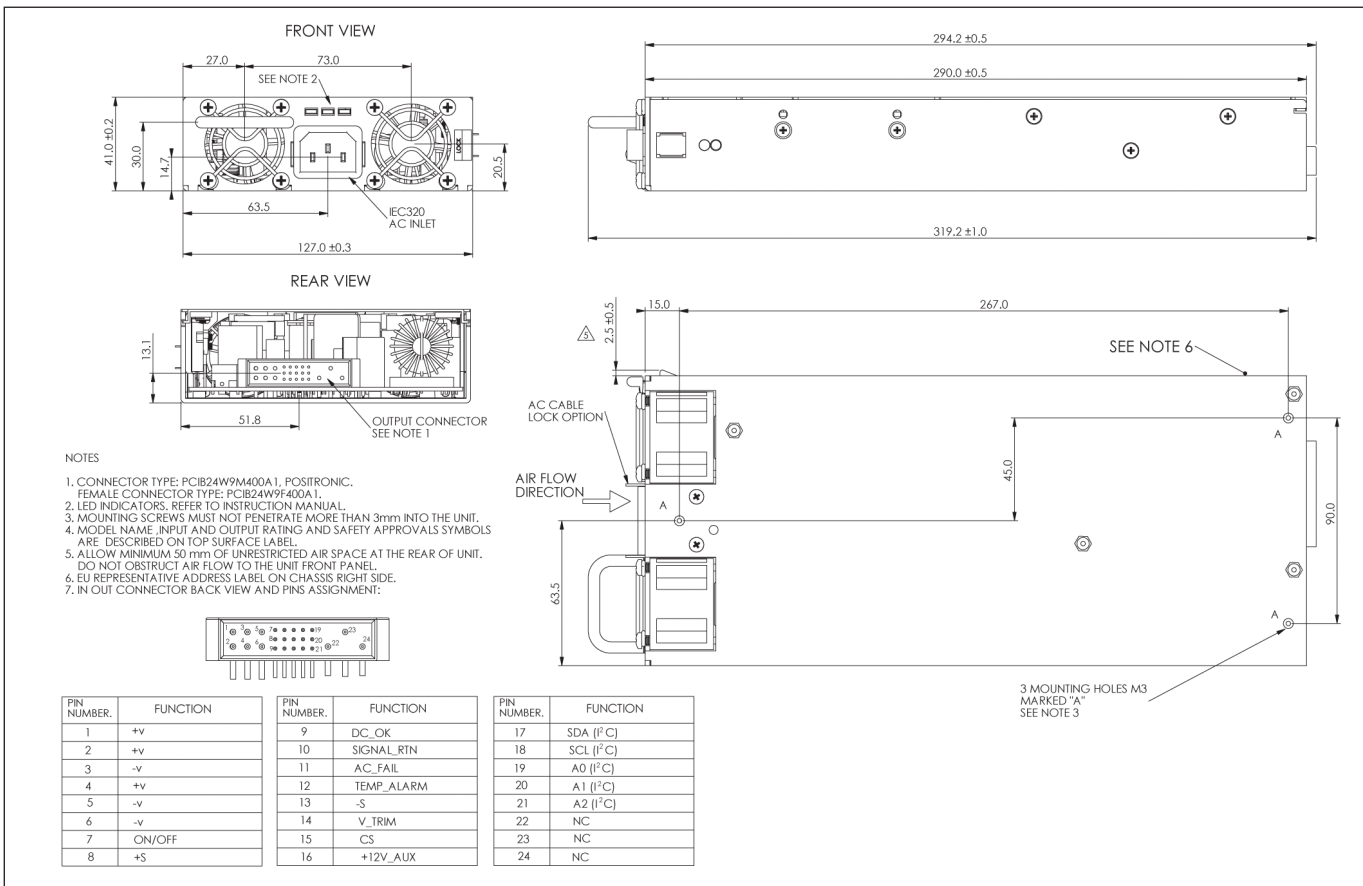
(1) Via Trim pin on output connector

(2) 47 - 440Hz with reduced PFC (100 - 265Vac). Safety certified for AC input and 47-63Hz only

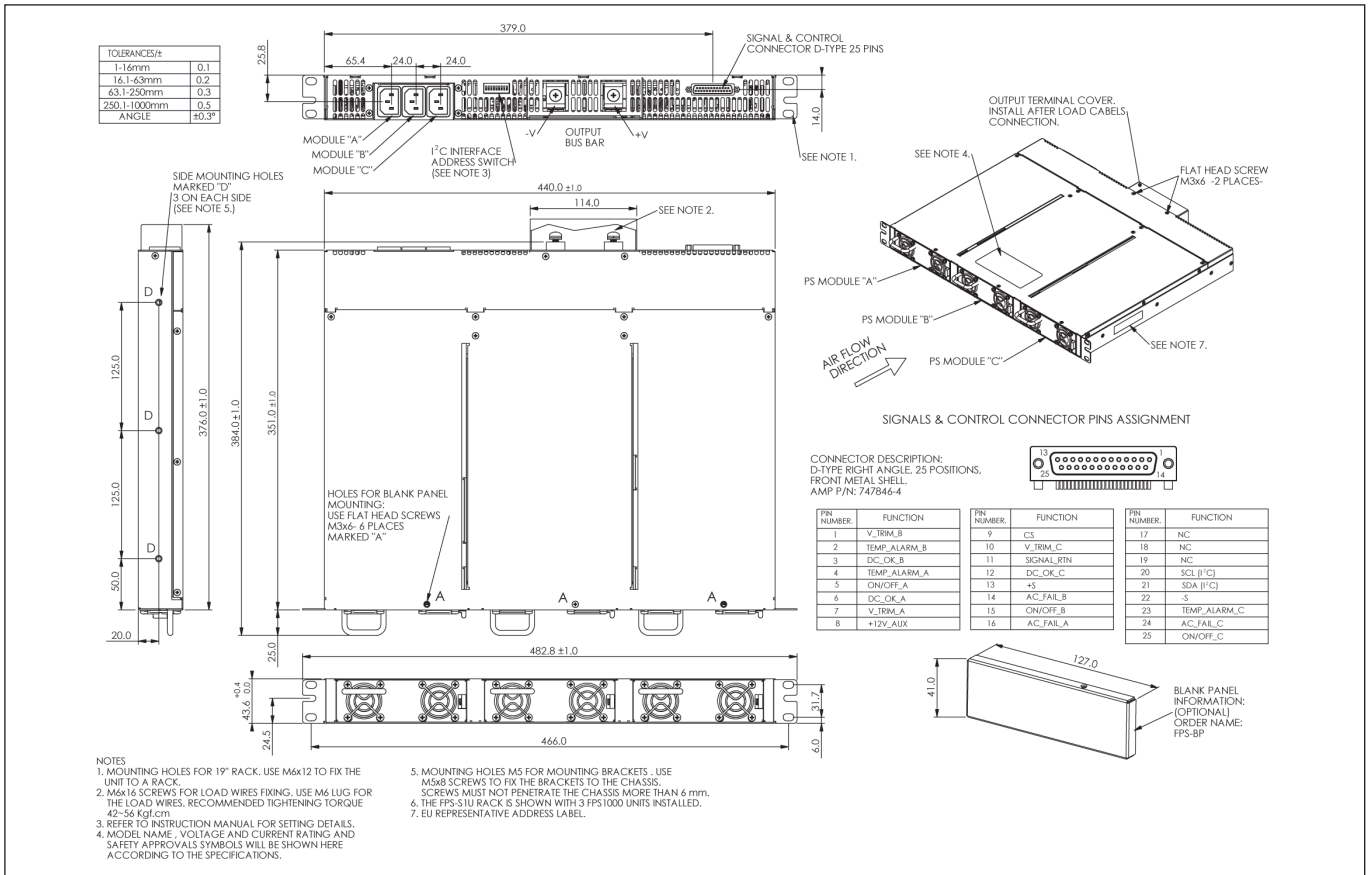
Outline Drawing FPS1000



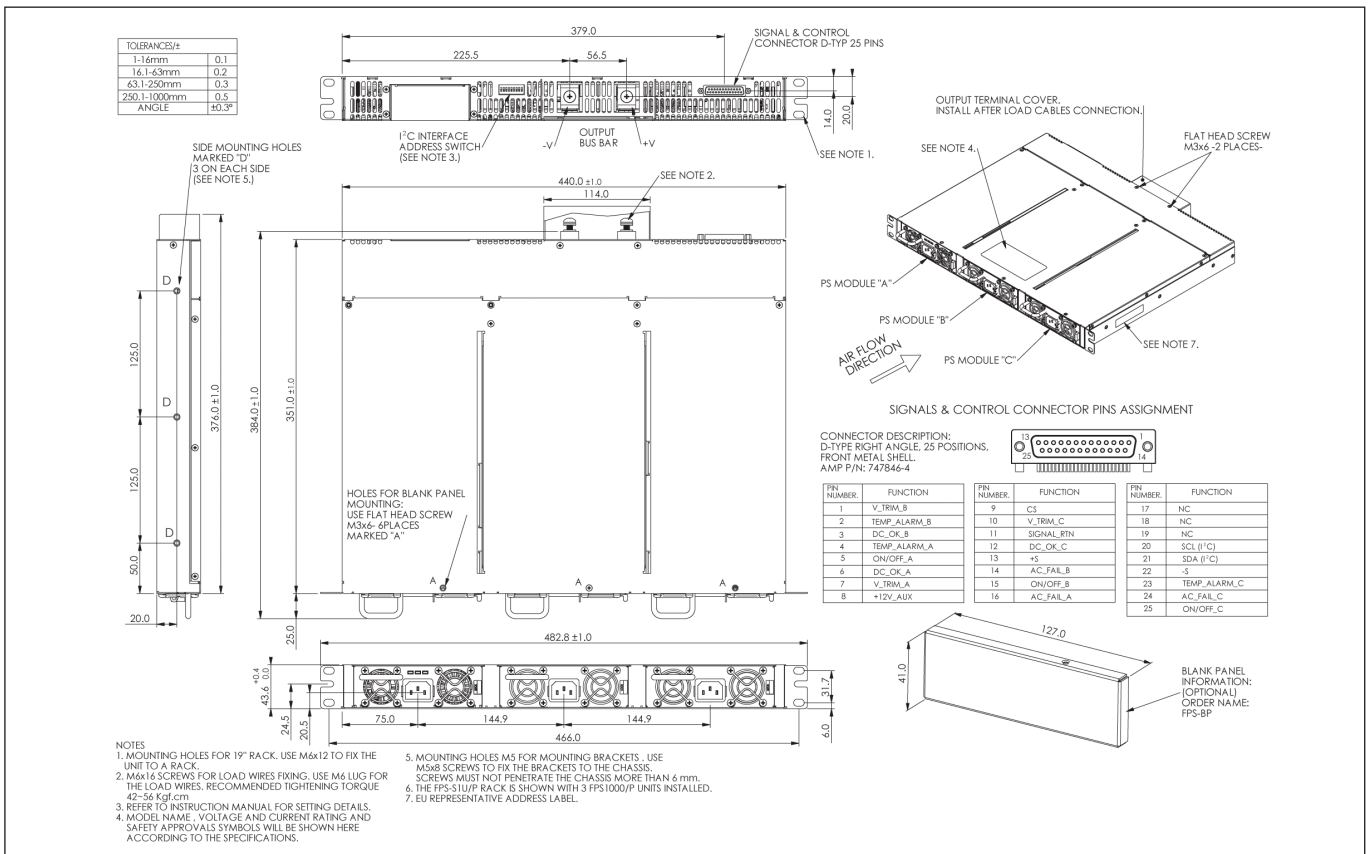
Outline Drawing FPS1000/P



Outline Drawing FPS-S1U



Outline Drawing FPS-S1U/P



Outline Drawing FPS-S1U/TB

TOLERANCES/±

1-16mm	0.1
16.1-63mm	0.2
63.1-250mm	0.3
250.1-1000mm	0.5
ANGLE	±0.3°

NOTES

1. MOUNTING HOLES FOR 19" RACK. USE M6x12 TO FIX THE UNIT TO A RACK.
2. M6x16 SCREWS FOR LOAD WIRES FIXING. USE M5 LUG FOR THE LOAD WIRES. RECOMMENDED TIGHTENING TORQUE: 42-56 Kgf.cm.
3. REFER TO INSTRUCTION MANUAL FOR SETTING DETAILS.
4. MODEL NAME, VOLTAGE AND CURRENT RATING AND SAFETY APPROVALS SYMBOLS WILL BE SHOWN HERE ACCORDING TO THE SPECIFICATIONS.
5. MOUNTING HOLES M5 FOR MOUNTING BRACKETS. USE M5x8 SCREWS TO FIX THE BRACKETS TO THE CHASSIS. SCREWS MUST NOT PENETRATE THE CHASSIS MORE THAN 6 mm.
6. THE FPS-S1U/TB RACK IS SHOWN WITH 3 FPS1000 UNITS INSTALLED.
7. EU REPRESENTATIVE ADDRESS LABEL.

CONNECTOR DESCRIPTION:
D-TYPE RIGHT ANGLE, 25 POSITIONS, FRONT METAL SHELL, AMP P/N: 747846-4.

PIN NUMBER	FUNCTION	PIN NUMBER	FUNCTION	PIN NUMBER	FUNCTION
1	V_TRIM_B	9	CS	17	NC
2	TEMP_ALARM_B	10	V_TRIM_C	18	NC
3	DC_OK_B	11	SIGNAL_RTN	19	NC
4	TEMP_ALARM_A	12	DC_OK_A	20	SCL (I²C)
5	ON/OFF_A	13	+S	21	SDA (I²C)
6	DC_OK_A	14	AC_FAIL_B	22	-S
7	V_TRIM_A	15	ON/OFF_B	23	TEMP_ALARM_C
8	+12V_AUX	16	AC_FAIL_A	24	AC_FAIL_C
				25	ON/OFF_C

BLANK PANEL INFORMATION:
(OPTIONAL)
ORDER NAME: FPS-BP

Outline Drawing FPS-T1U

NOTES

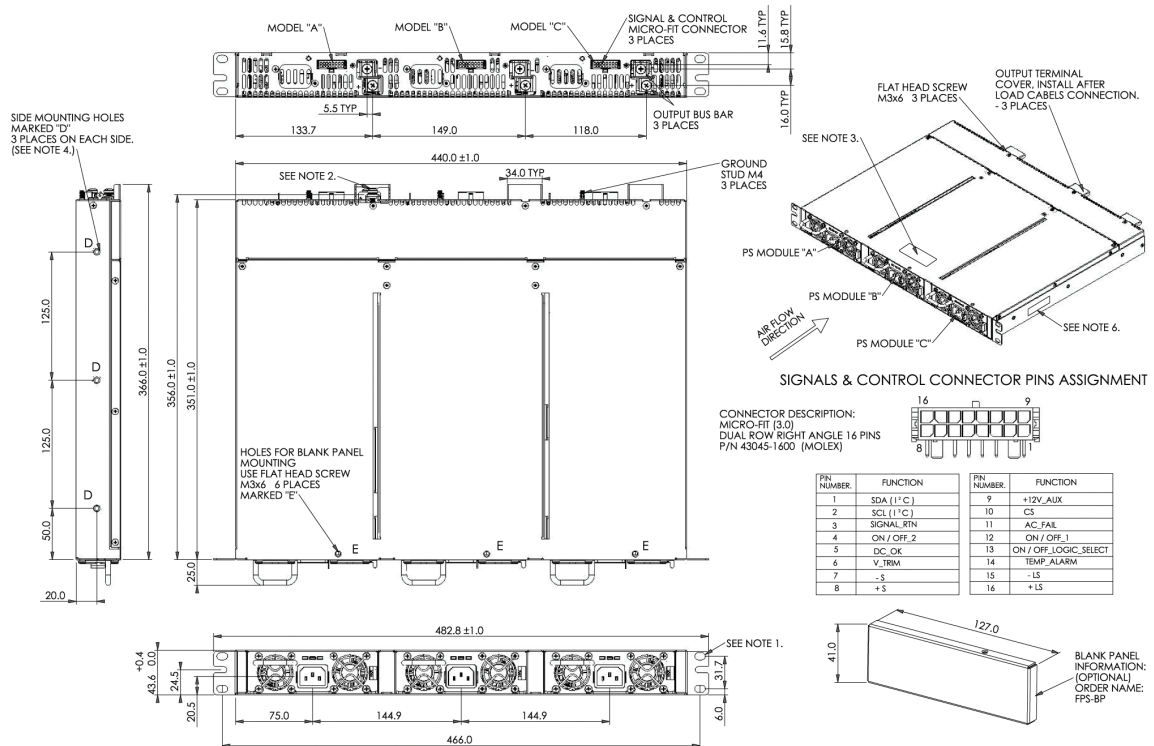
1. MOUNTING HOLES FOR 19" RACK. USE M6x12 TO FIX THE UNIT TO A RACK.
2. M5x12 SCREWS FOR LOAD WIRES FIXING. USE M5 LUG FOR THE LOAD WIRES. RECOMMENDED TIGHTENING TORQUE: 24-31 Kgf.cm.
3. MODEL NAME, VOLTAGE AND CURRENT RATING AND SAFETY APPROVALS SYMBOLS WILL BE SHOWN HERE ACCORDING TO THE SPECIFICATIONS.
4. MOUNTING HOLES M5 FOR MOUNTING BRACKETS. USE M5x8 SCREWS TO FIX THE BRACKETS TO THE CHASSIS. SCREWS MUST NOT PENETRATE THE CHASSIS MORE THAN 6 mm.
5. THE FPS-T1U RACK IS SHOWN WITH 3 FPS1000 UNITS INSTALLED.
6. EU REPRESENTATIVE ADDRESS LABEL.

CONNECTOR DESCRIPTION:
MICRO-FIT (3.0) DUAL ROW RIGHT ANGLE 16 PINS
P/N 43045-1600 (MOLEX)

PIN NUMBER	FUNCTION	PIN NUMBER	FUNCTION
1	SDA (I²C)	9	+12V_AUX
2	SCL (I²C)	10	CS
3	SIGNAL_RTN	11	AC_FAIL
4	ON / OFF_2	12	ON / OFF_1
5	DC_OK	13	ON / OFF_LOGIC_SELECT
6	V_TRIM	14	TEMP_ALARM
7	-S	15	-LS
8	+S	16	+LS

BLANK PANEL INFORMATION:
(OPTIONAL)
ORDER NAME: FPS-BP

Outline Drawing FPS-T1U/P



- NOTES
1. MOUNTING HOLES FOR 19" RACK. USE M6x12 TO FIX THE UNIT TO A RACK.
 2. M5x12 SCREWS FOR LOAD WIRES FIXING. USE M5 LUG FOR THE LOAD WIRES. RECOMMENDED TIGHTENING TORQUE 24~31 Kgf.cm.
 3. MODEL NAME, VOLTAGE AND CURRENT RATING AND SAFETY APPROVALS SYMBOLS WILL BE SHOWN HERE ACCORDING TO THE SPECIFICATIONS.
 4. MOUNTING HOLES M5 FOR MOUNTING BRACKETS. USE M5x8 SCREWS TO FIX THE BRACKETS TO THE CHASSIS. SCREWS MUST NOT PENETRATE THE CHASSIS MORE THAN 6 mm.
 5. THE FPS-T1U RACK IS SHOWN WITH 3 FPS1000 UNITS INSTALLED.
 6. EU REPRESENTATIVE ADDRESS LABEL.



TDK-Lambda France SAS

Tel: +33 1 60 12 71 65
france@fr.tdk-lambda.com
www.emea.lambda.tdk.com/fr



Italy Sales Office

Tel: +39 02 61 29 38 63
info.italia@it.tdk-lambda.com
www.emea.lambda.tdk.com/it



Netherlands

info@nl.tdk-lambda.com
www.emea.lambda.tdk.com/nl



TDK-Lambda Germany GmbH

Tel: +49 7841 666 0
info@de.tdk-lambda.com
www.emea.lambda.tdk.com/de



Austria Sales Office

Tel: +43 2256 655 84
info@at.tdk-lambda.com
www.emea.lambda.tdk.com/at



Switzerland Sales Office

Tel: +41 44 850 53 53
info@ch.tdk-lambda.com
www.emea.lambda.tdk.com/ch



Nordic Sales Office

Tel: +45 8853 8086
info@dk.tdk-lambda.com
www.emea.lambda.tdk.com/dk



TDK-Lambda UK Ltd.

Tel: +44 (0) 12 71 85 66 66
info@uk.tdk-lambda.com
www.emea.lambda.tdk.com/uk



TDK-Lambda Ltd.

Tel: +9 723 902 4333
info@tdk-lambda.co.il
www.emea.lambda.tdk.com/il



C.I.S.

Commercial Support:

Tel: +7 (495) 665 2627

Technical Support:

Tel: +7 (812) 658 0463
info@tdk-lambda.ru
www.emea.lambda.tdk.com/ru



TDK-Lambda Americas

Tel: +1 800-LAMBDA-4 or 1-800-526-2324
powersolutions@us.tdk-lambda.com
www.us.lambda.tdk.com



TDK Electronics do Brasil Ltda

Tel: +55 11 3289-9599
sales.br@tdk-electronics.tdk.com
www.tdk-electronics.tdk.com/en



TDK-Lambda Corporation

Tel: +81-3-6778-1113
www.jp.lambda.tdk.com



TDK-Lambda (China) Electronics Co. Ltd.

Tel: +86 21 6485-0777
powersolutions@cn.tdk-lambda.com
www.lambda.tdk.com.cn



TDK-Lambda Singapore Pte Ltd.

Tel: +65 6251 7211
tis.mkt@sg.tdk-lambda.com
www.sg.lambda.tdk.com



TDK India Private Limited, Power Supply Division

Tel: +91 80 4039-0660
mathew.philip@in.tdk-lambda.com
www.sg.lambda.tdk.com

For Additional Information, please visit
<https://product.tdk.com/en/power/>

