

General Application:

The FPF Series Plastic Fan Filter are designed for tubeaxial fan in 40mm; 60mm; 80mm; 92mm; 120mm; 172mm size and other custom design products.

FPF-040A-40/60

	<p>unit: mm</p>	<p>Fits for Fan Size : 40x40x07mm ; 40x40x10mm 40x40x15mm ; 40x40x20mm 40x40x28mm</p> <p>Notes :</p> <ul style="list-style-type: none"> • Retainer & Guard Material: Flame -Retardant plastic ABS thermoplastic, rated UL94V-0. • Retainer & Guard Color: Standard black, • Filter Material: Polyurethane(PU) Foam. • Filter Density: 40PPI, 60PPI (pores per Inch).
--	-----------------	---

FPF-060A-40/60

	<p>unit: mm</p>	<p>Fits for Fan Size : 60x60x10mm ; 60x60x15mm 60x60x20mm ; 60x60x25mm 60x60x38mm</p> <p>Notes :</p> <ul style="list-style-type: none"> • Retainer & Guard Material: Flame -Retardant plastic ABS thermoplastic, rated UL94V-0. • Retainer & Guard Color: Standard black, • Filter Material: Polyurethane(PU) Foam. • Filter Density: 40PPI, 60PPI (pores per Inch).
--	-----------------	---

FPF-080A-40/60

	<p>unit: mm</p>	<p>Fits for Fan Size : 80x80x10mm ; 80x80x15mm 80x80x20mm ; 80x80x25mm 80x80x32mm ; 80x80x38mm</p> <p>Notes :</p> <ul style="list-style-type: none"> • Retainer & Guard Material: Flame -Retardant plastic ABS thermoplastic, rated UL94V-0. • Retainer & Guard Color: Standard black, • Filter Material: Polyurethane(PU) Foam. • Filter Density: 40PPI, 60PPI (pores per Inch).
--	-----------------	--

FPF-090A-40/60

	<p>unit: mm</p>	<p>Fits for Fan Size : 92x92x25mm ; 92x92x32mm 92x92x38mm</p> <p>Notes :</p> <ul style="list-style-type: none"> • Retainer & Guard Material: Flame -Retardant plastic ABS thermoplastic, rated UL94V-0. • Retainer & Guard Color: Standard black, • Filter Material: Polyurethane(PU) Foam. • Filter Density: 40PPI, 60PPI (pores per Inch).
--	-----------------	--


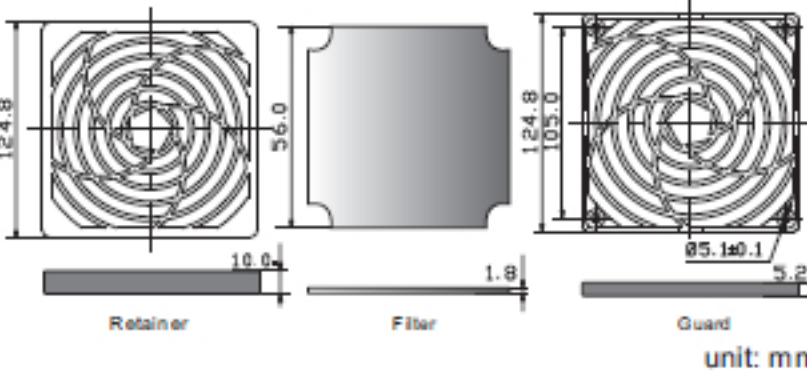
Fan Accessories

Plastic Fan Filter


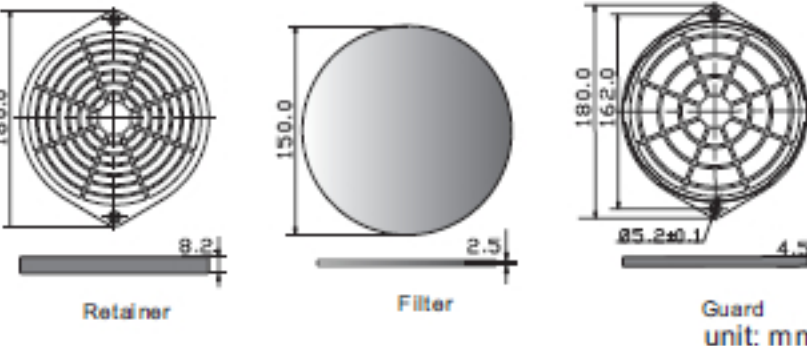
General Application:

The FPF Series Plastic Fan Filter are designed for tubeaxial fan in 40mm; 60mm; 80mm; 92mm; 120mm; 172mm size and other custom design products.

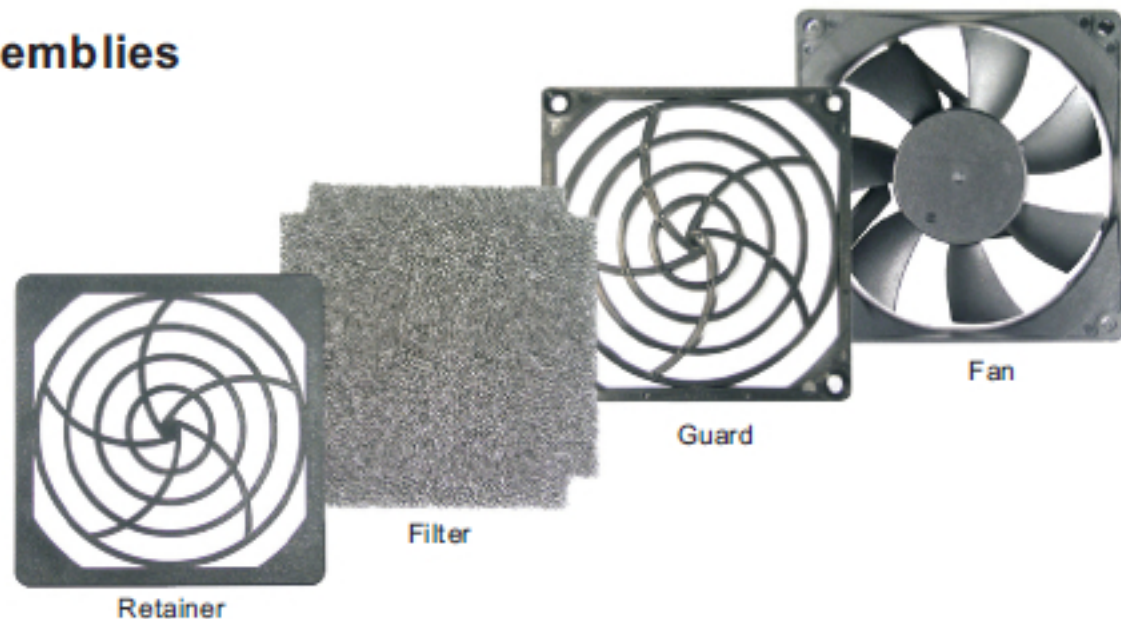
● **FPF-120A-40/60**

	 <p style="text-align: center;">unit: mm</p>	<p>Fits for Fan Size : 120x120x25mm; 120x120x32mm 120x120x38mm</p> <p>Notes :</p> <ul style="list-style-type: none"> • Retainer & Guard Material: Flame -Retardant plastic ABS thermoplastic, rated UL94V-0. • Retainer & Guard Color: Standard black. • Filter Material: Polyurethane(PU) Foam. • Filter Density: 40PPI, 60PPI (pores per Inch).
---	---	---

● **FPF-162A-40/60**

	 <p style="text-align: center;">unit: mm</p>	<p>Fits for Fan Size : 172x150x38mm; 172x150x55mm</p> <p>Notes :</p> <ul style="list-style-type: none"> • Retainer & Guard Material: Flame -Retardant plastic ABS thermoplastic, rated UL94V-0. • Retainer & Guard Color: Standard black. • Filter Material: Polyurethane(PU) Foam. • Filter Density: 40PPI, 60PPI (pores per Inch).
--	--	---

Plastic Fan Filter Assemblies



General Specifications:

- **Pressing damages of filter:** Initial period 6.9mm AQ, final stage 24mm AQ.
- **Maximum wind speed:** 2.0M³/sec.
- **Effective wind speed:** 50M³/min.
- **Ingress Protection Grade:** IP40.
- **Use Scope:** Indoor -10°C to 55°C.
- **Dust removal rate:** up to 90%.