

Versatile Medical Class II EMC/EMI Filter



- Medical filter suitable for compliance with Protection Class II (ME) according IEC 60601-1
- Fulfills the requirement for two MOPP (means of patient protection), compliant with IEC/EN 60601-1
- No leakage current to earth
- Rated currents up to 15 A
- Excellent performance/size ratio
- Front mount, rear mount and snap-in versions (B, MB and S1B type)
- Plastic enclosure for higher dielectric strength insulation
- Fast-on terminals or wire leads
- V-lock compatible



Performance indicators

Attenuation performance



Rated current [A]



Approvals & Compliances



The FN9274 IEC inlet filter is suitable for compliance with Class II ME equipment. It incorporates an EMC filter into a C18 IEC inlet that offers excellent filter attenuation in a compact housing.

The filter is available with two connection variants on the load side. The cable version is touch-safe by default. The pins of the fast-on version are recessed in the plastic housing. In combination with insulated crimp connectors Class II compliance can be achieved for Fast-on version.

The requirements for Two MOPP in IEC 60601-1:2005 + A1 regarding Leakage Currents, Insulation and Air Clearance and Creepage Distances and Ball Pressure test are fulfilled.

Features and benefits

- Suitable for class II Medical Equipment (ME)
- Fulfills the requirements for Two MOPP in IEC 60601-1 - Medical electrical equipment
- Fulfills the requirements in IEC/EN 62368-1 - Audio/video, information and communication technology equipment
- Fulfills the requirements in IEC/EN 60950-1 - Information technology equipment
- Fulfills the requirements in IEC/EN 60335-1 - Household and similar electrical appliances
- Fulfills the requirements for Reinforced Insulation in IEC 61010-1 - Safety requirements
- All versions certified according UL/IEC 60939-3, C22.2 No. 8, CQC/CCC GB/T15287 and GB/T15288

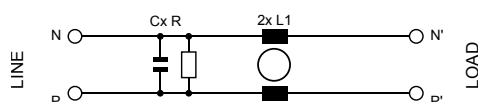
Technical specifications

Maximum continuous operating voltage	250 VAC, 50/60 Hz
Rated currents	1 to 15 A @ 40°C max.
Operating frequency	DC to 400 Hz
High potential test voltage	P → N 760 VAC for 2 s P/N → Ext. insulation 4 kVAC for 60 s acc. IEC 60601-1
Temperature range (operation and storage)	-40°C to +100°C (40/100/21)
Design corresponding to	up to 15A: UL 60939-3, CSA Std C22.1 No. 8-13 up to 10A: IEC/EN 60939-3, GB/T15287, GB/T15288
Protection category	IP 40 according to IEC 60529 (front side, with inserted plug)
Overvoltage category	II acc. IEC 60664-1
Pollution degree	2 acc. IEC 60664-1
Vibration and shock	3M4 acc. IEC 60721-3-3
MTBF @ Rated amb. Temp./Voltage (Mil-HB-217F)	> 1,000,000 hours
Flammability corresponding to	Plastic Material: UL 94 V-0 Laces for -07 version: UL 94 VW-1

Typical applications

- General medical devices (MDD)
- In-vitro diagnostic medical devices (IVDD)
- Test and measurement equipment
- Portable electrical and electronic equipment
- Single-phase power supplies, switch-mode power supplies (SMPS)
- Audio / video / communication equipment (IEC/UL 62368-1)

Electrical schematic



Filter selection table

Filter	Rated current @ 40°C [A]	Leakage current [mA]	Inductance L1 [mH]	Capacitance Cx [μF]	Resistor R [MΩ]	Input connections	Output connections		Weight [g]
							-05	-07	
FN9274XXB-1-ZZ	1	0.0	41.1	0.22	1	C18	-05	-07	<40
FN9274XXB-2-ZZ	2	0.0	20.1	0.22	1	C18	-05	-07	<40
FN9274XXB-4-ZZ	4	0.0	7.2	0.22	1	C18	-05	-07	<40
FN9274XXB-6-ZZ	6	0.0	3.2	0.22	1	C18	-05	-07	<40
FN9274XXB-10-ZZ	10	0.0	1.3	0.22	1	C18	-05	-07	<40
FN9274XXB-15-ZZ	15	0.0	0.4	0.22	1	C18	-05	-07	<40

Test conditions: Temperature: 25°C±2°C; measuring frequency for inductance: 1 kHz, 50 mV

Tolerances: Inductance: +50%, -30%; capacitance: ±20%; resistance: ±10%. For mechanical tolerances, please refer to the mechanical data section

* Standard length is 160 mm

Product selector

FN 9274 xx B -yy-zz

- 05: Fast-on 6.3 x 0.8 mm
- 07: Wire leads
- 1 to 15: Rated current
- B: Standard Version for Medical Applications
- Blank: Standard housing with mounting flanges (front mount)
- M: Standard housing with mounting flanges (rear mount)
- S1: Snap-in version, snapper on vertical side

For example FN 9274 MB-15-05:

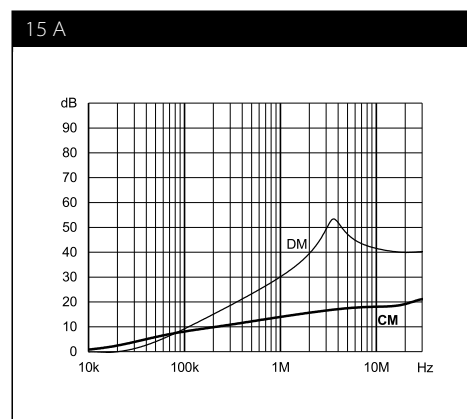
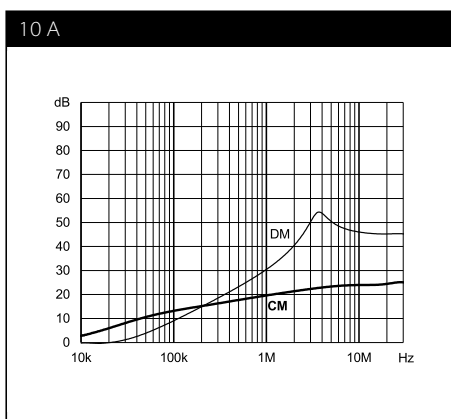
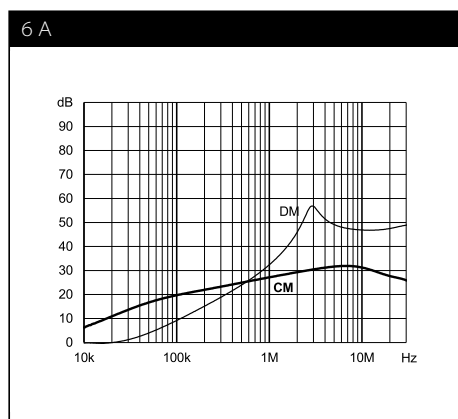
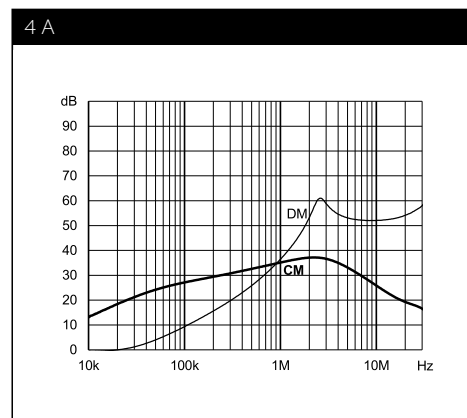
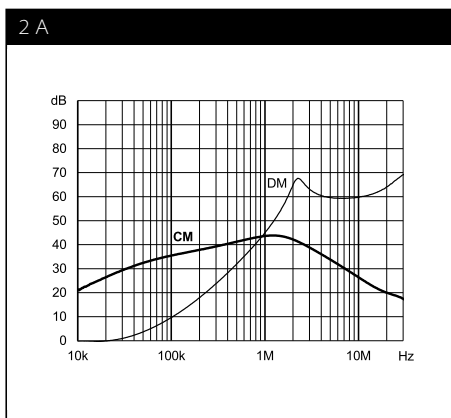
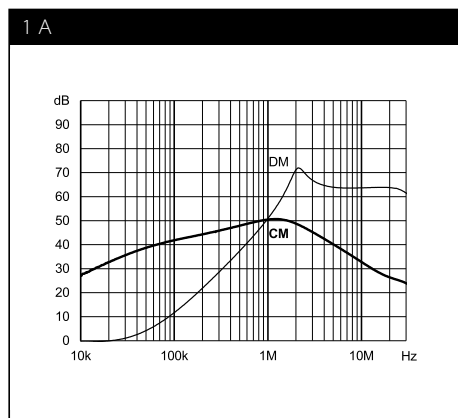
- FN 9274 IEC inlet with
- rear mount flanges (M),
- 15A rated current (15) and
- fast-on terminals (05).

Design-in recommendation:

- EMC and functional test with FN9274B-XX-05 (safety stock all currents - front mount, fast-on types)
- Mechanical integration with FN9274XXB-15-ZZ (safety stock for all variants - 15A-types)

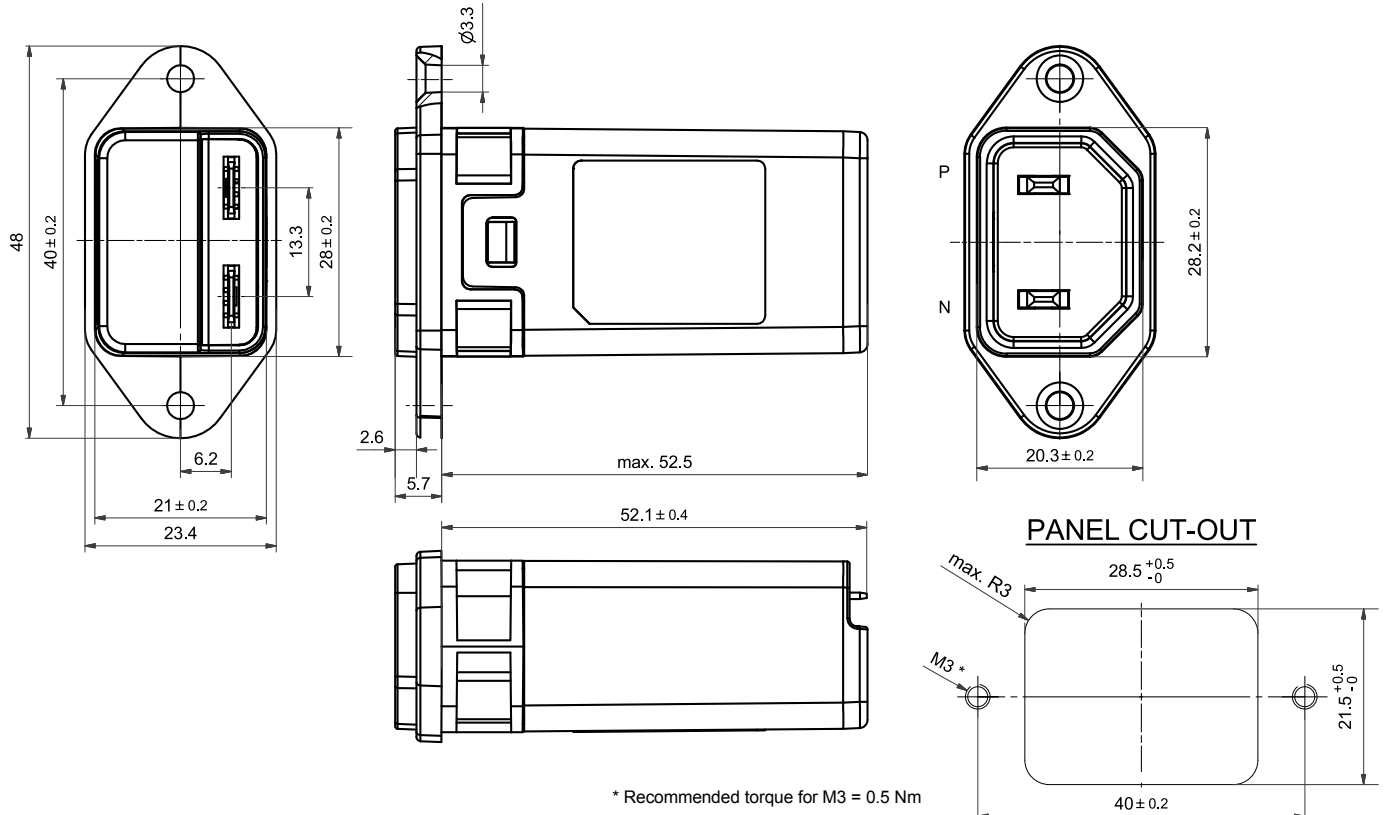
Typical filter attenuation

Per CISPR 17 / symmetrical 50 Ω/50 Ω - Differential Mode (DM) / asymmetrical 50 Ω/50 Ω - Common Mode (CM)

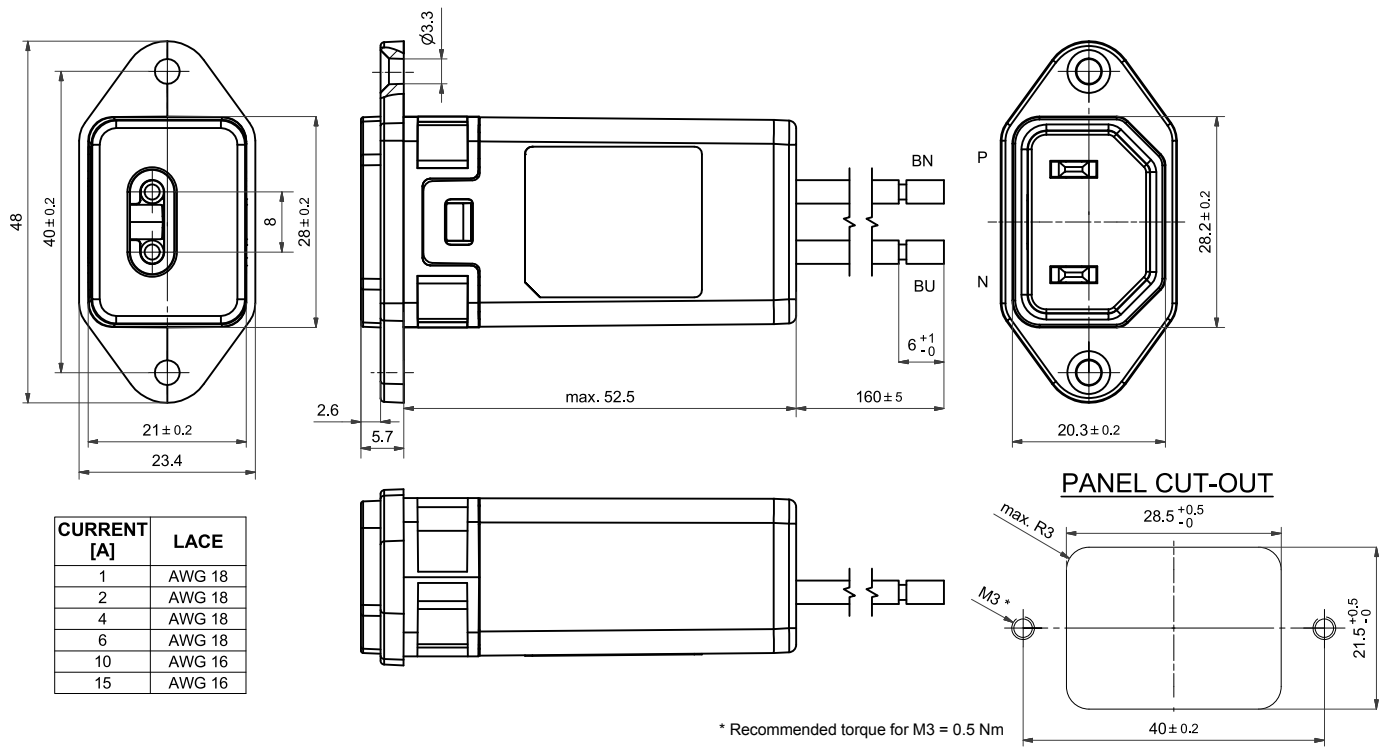


Mechanical data - front mount

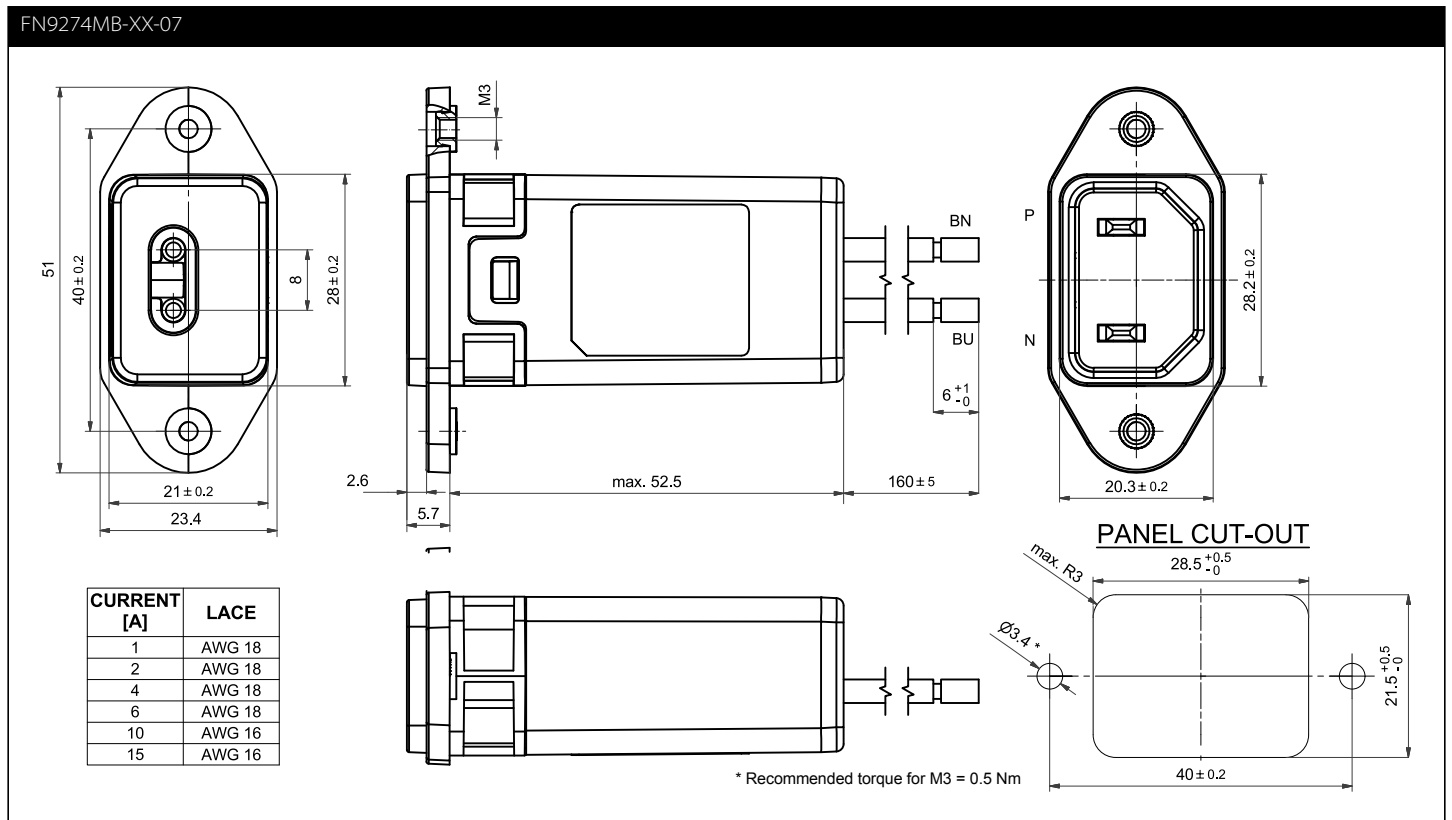
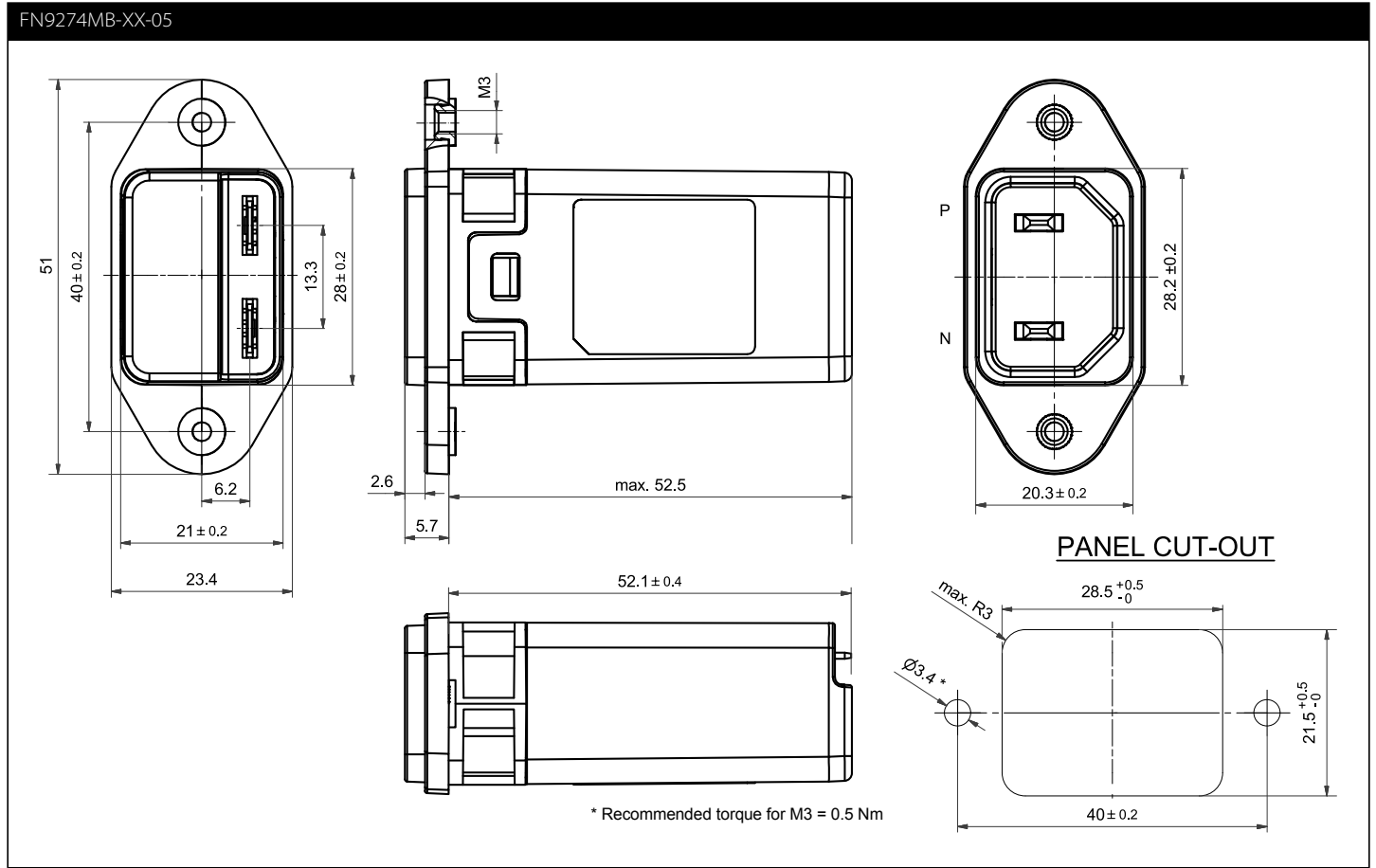
FN9274B-XX-05



FN9274B-XX-07

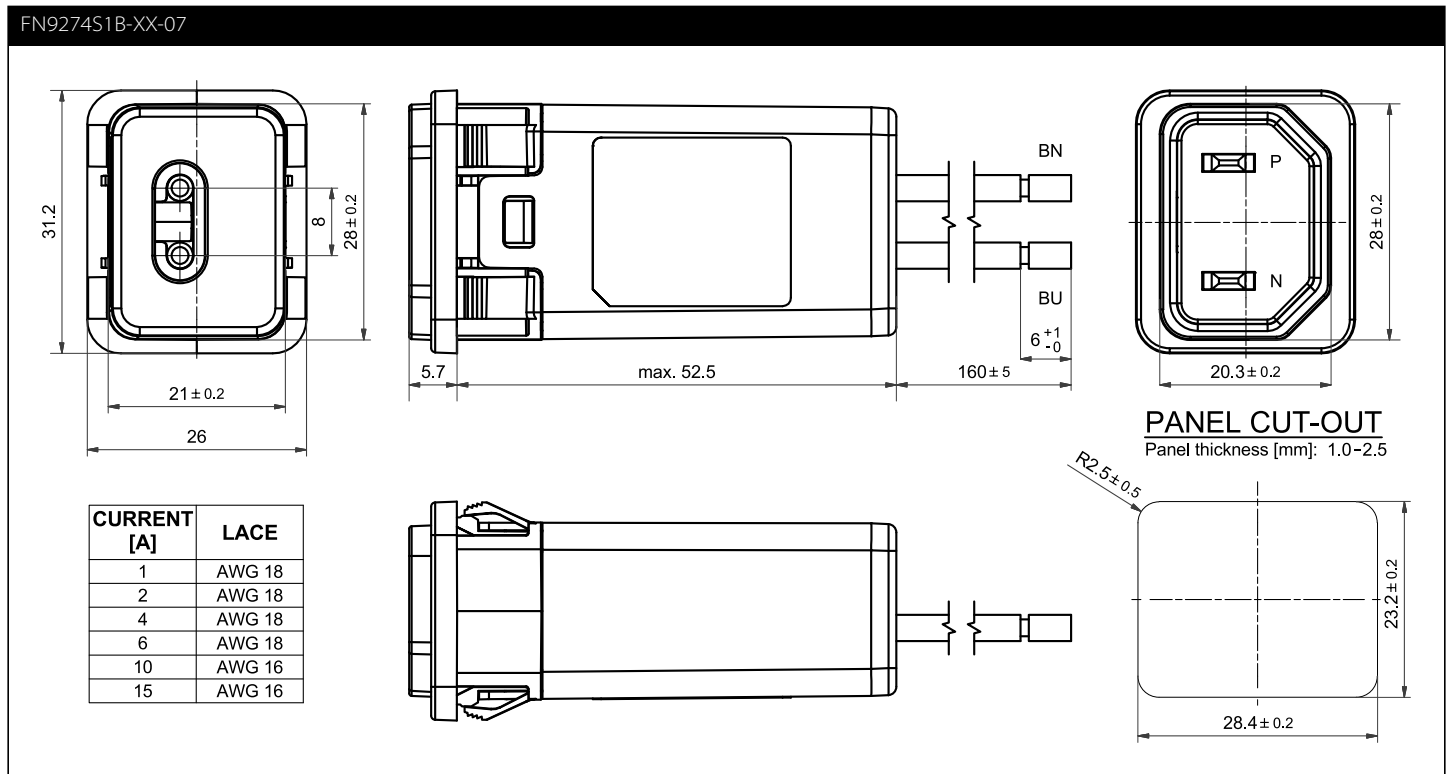
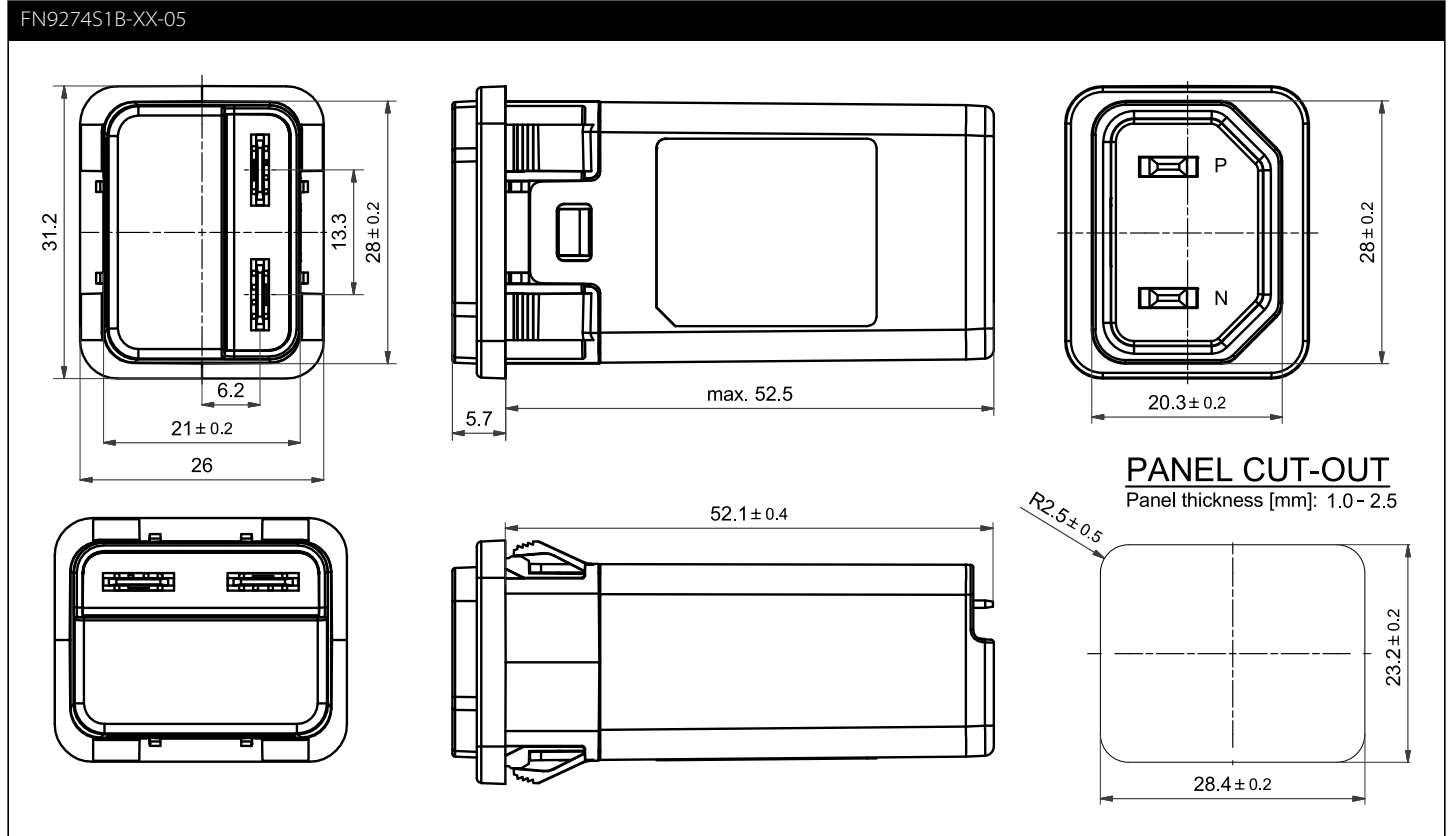


Mechanical data - rear mount



For dimensions [mm] without tolerances: ISO 2768-m / EN22768-m applies

Mechanical data - snap-in



For dimensions [mm] without tolerances: ISO 2768-m / EN22768-m applies



Headquarters, global innovation and development

Switzerland

Schaffner Group

Industrie Nord
Nordstrasse 11e
4542 Luterbach
T +41 32 681 66 26
info@schaffner.com



Sales and application centers

China

Schaffner EMC Ltd. Shanghai

T20-3 C, No 565 Chuangye Road,
Pudong district
201201 Shanghai
T +86 21 3813 9500
cschina@schaffner.com
www.schaffner.com.cn

Finland

Schaffner Oy

Sauvonrinne 19 H
08500 Lohja
T +358 10 567 2855
finlandsales@schaffner.com

France

Schaffner EMC S.A.S.

16-20 Rue Louis Rameau
95875 Bezons
T +33 1 34 34 30 60
F +33 1 39 47 02 28
francesales@schaffner.com

Germany

Schaffner Deutschland GmbH

Schoemperlenstrasse 12B
76185 Karlsruhe
T +49 721 56910
F +49 721 569110
germanysales@schaffner.com

India

Schaffner India Pvt. Ltd

REGUS WORLD TRADE CENTRE
WTC, 22nd Floor Unit No 2238, Brigade
Gateway Campus, 26/1, Dr. Rajkumar Road
Malleshwaram (W)
560055 Bangalore
T +91 80 67935355
indiasales@schaffner.com

Italy

Schaffner EMC S.r.l.

Via Ticino, 30
20900 Monza (MB)
T +39 039 21 41 070
italysales@schaffner.com

Japan

Schaffner EMC K.K.

Taiju-Seimei Sangenjaya Bldg.
1-32-12, Kamiyama, Setagaya-ku
154-0011 Tokyo
T +81 3 5712 3650
F +81 3 5712 3651
japansales@schaffner.com
www.schaffner.jp

Singapore

Schaffner EMC Pte Ltd.

#05-09, Kg Ubi Ind. Estate
408705 Singapore
T +65 6377 3283
F +65 6377 3281
singaporesales@schaffner.com

Spain

Schaffner EMC España

Calle Caléndula 93, Miniparc III, Edificio E
El Soto de Moraleja, Alcobendas
28109 Madrid
T +34 917 912 900
F +34 917 912 901
spainsales@schaffner.com

Sweden

Schaffner EMC AB

Östermalmstorg 1
114 42 Stockholm
T +46 8 5050 2425
swedensales@schaffner.com
www.schaffner.com

Switzerland

Schaffner EMV AG

Industrie Nord
Nordstrasse 11e
4542 Luterbach
T +41 32 681 66 88
T +41 32 681 66 26
switzerlandsales@schaffner.com

Taiwan R.O.C.

Schaffner EMV Ltd.

20 Floor-2, No 97, Section 1, XinTai 5th Road
22175 XiZhi District New Taipei City 22175
T +886 2 2697 5500
F +886 2 2697 5533
taiwansales@schaffner.com
www.schaffner.com.tw

Thailand

Schaffner EMC Co. Ltd.

Northern Region Industrial Estate
67 Moo 4 Tambon Ban Klang
Amphur Muangng P.O. Box 14
51000 Lamphun
T +66 53 58 11 04
F +66 53 58 10 19
thailandsales@schaffner.com

United Kingdom

Schaffner Ltd.

1, Oakmede Place
Binfield
RG42 4JF Berkshire
T +44 118 9770070
F +44 118 9792969
uksales@schaffner.com

USA

Schaffner EMC Inc.

52 Mayfield Avenue
Edison, New Jersey
T +1 732 225 9533
F +1 732 225 4789
usasales@schaffner.com
www.schaffnerusa.com

Schaffner North America

6722 Thirlane Road
24019 Roanoke, Virginia
T +1 276 228 7943
F +1 276 228 7953

Schaffner North America

823 Fairview Road
24382 Wytheville, Virginia
T +1 276 228 7943
F +1 276 228 7258

To find your local partner within Schaffner's global network: www.schaffner.com

© 2018 Schaffner Group

The content of this document has been carefully checked and understood. However, neither Schaffner nor its subsidiaries assume any liability whatsoever for any errors or inaccuracies of this document and the consequences thereof. Published specifications are subject to change without notice. Product suitability for any area of application must ultimately be determined by the customer. In all cases, products must never be operated outside their published specifications. Schaffner does not guarantee the availability of all published products. This disclaimer shall be governed by substantive Swiss law and resulting disputes shall be settled by the courts at the place of business of Schaffner Holding AG. Latest publications and a complete disclaimer can be downloaded from the Schaffner website. All trademarks recognized.