

FN 9223

Compact power entry module

- up to 10A current ratings
 - IEC 950-compliant
 - optional medical version (B type)
 - snap-in version (S type)
-
- Nennstrom bis 10A
 - IEC 950 konform
 - Für medizinische Geräte als Option (Typ B)
 - Snap-in Version (Typ S)
-
- courants de service pouvant atteindre 10A
 - conforme à CEI 950
 - version médicale en option (type B)
 - version snap-in (type S)



Filter selection table

Choose the family FN xxx with the required body style and features, and add -?? to determine current rating, and /?? for output connections. Example: FN 9223-1/06 is a horizontal screw-mounting filter, rated for 1A, with fast-on outputs.

Approvals



Family	Current ratings A at 40°C (25°)				Output connection		Housing	
	1 (1.2)	3 (3.5)	6 (6.9)	10 (11.6)				
FN 9223 -?? /??	-1	-3	-6	-10	/06	/07*	✓	-
FN 9223S -?? /??	-1	-3	-6	-10	/06	/07*	-	✓
Inductance L mH								
	2.8	0.75	0.3	0.13				

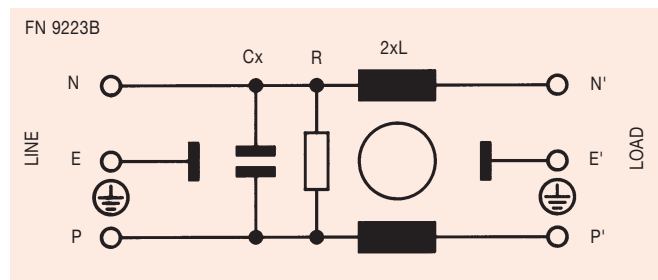
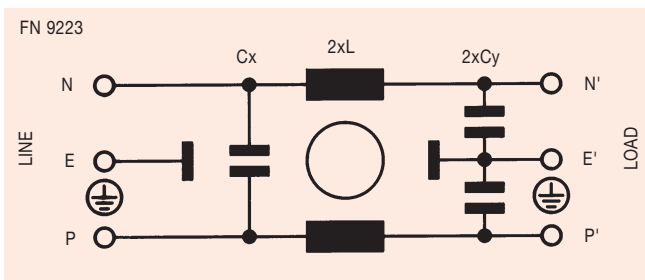
Additional specifications

Filter type	Capacitance		Maximum leakage µA/phase	Res. R MΩ	Weight g	Maximum operating volt.		Operating frequency Hz	Hipot test voltage	
	Cx nF	Cy nF				VAC	Hz		PN→E VAC	P→N VDC
All standard types	47	2.2	190	-	35*	250	50/60	DC to 400	2000	1700
B types (medical)	47	-	2	1	35*	250	50/60	DC to 400	2500	1700

MTBF at 40°C, 230V, per Mil-HB-217F: 2,200,000 hours

*/07 outputs add 5g

Electrical schematics

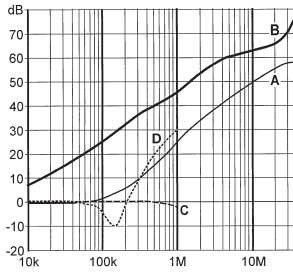


See tables for component values

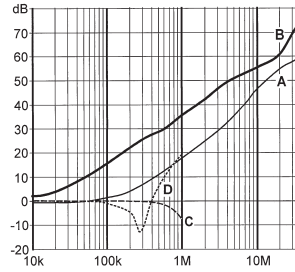
FN 9223 insertion loss

Per CISPR 17; A = 50Ω/50Ω sym, B = 50Ω/50Ω asym, C = 0.1Ω/100Ω sym, D = 100Ω/0.1Ω sym

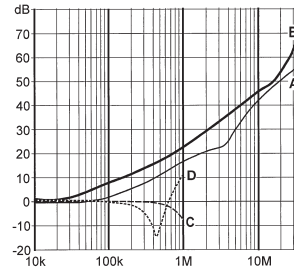
1 amp types



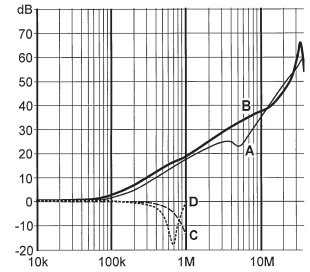
3 amp types



6 amp types



10 amp types

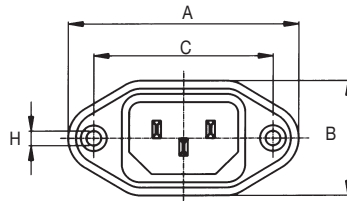


Mechanical data

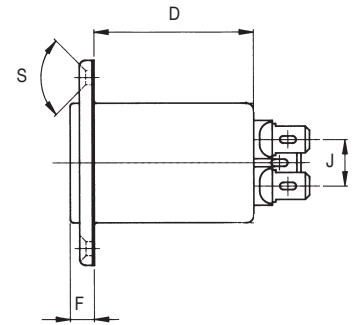
FN 9223

		Tol. mm
A	51.5	± 0.5
B	26	± 0.3
C	40	± 0.2
D	34.4	± 0.3
F	5.5	± 0.3
H	Ø3.3	-
J	12.5	± 0.3
M	R≤3	-
N	21.5	± 0.2
P	28.5	± 0.2
R	M3	-
S	90°	-
Y	AWG 18	-
Z	160	± 5

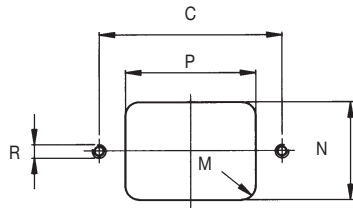
FRONT



SIDE



PANEL CUT-OUT



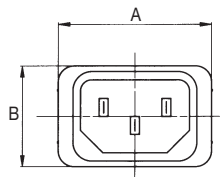
FN 9223S

	/06	/07	Tol. mm
A	34		± 0.5
B	22.5		± 0.3
C	27.5		± 0.3
D	34.7	37.7	± 0.3
F	5.5		± 0.3
J	12.5		± 0.3
M	R≤1.5		-
N	20.8		+0.1 0
P	30.8		+0.1 0
T	panel thickness 0.5-2mm		-
W		6	± 1
Y		AWG 18	-
Z		160	± 5

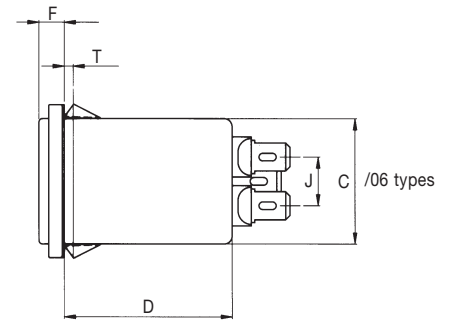
Snap-in version FN 9223S

(Possible thickness of mounting panels see page 100)

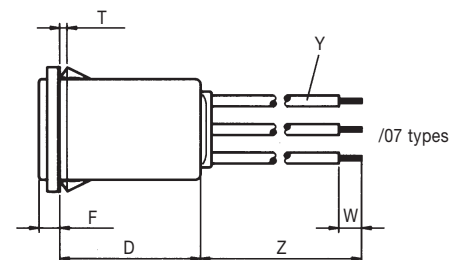
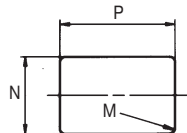
FRONT



SIDE



PANEL CUT-OUT



All dimensions in mm; 1 inch = 25.4mm