

Technical Data

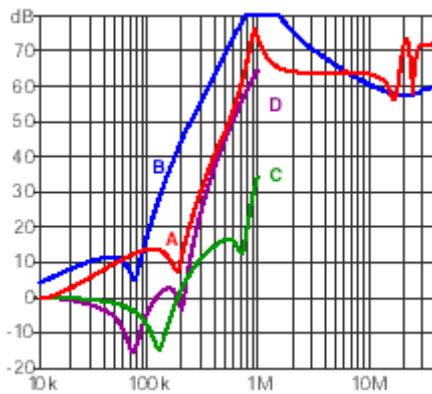
SCHAFFNER

Multistage general purpose single-phase filter

FN 2060-6/06

Insertion loss

per CISPR 17
 A=50ohm/50ohm sym B=50ohm/50ohm asym
 C=0.1ohm/100ohm sym D=0.1ohm/100ohm asym



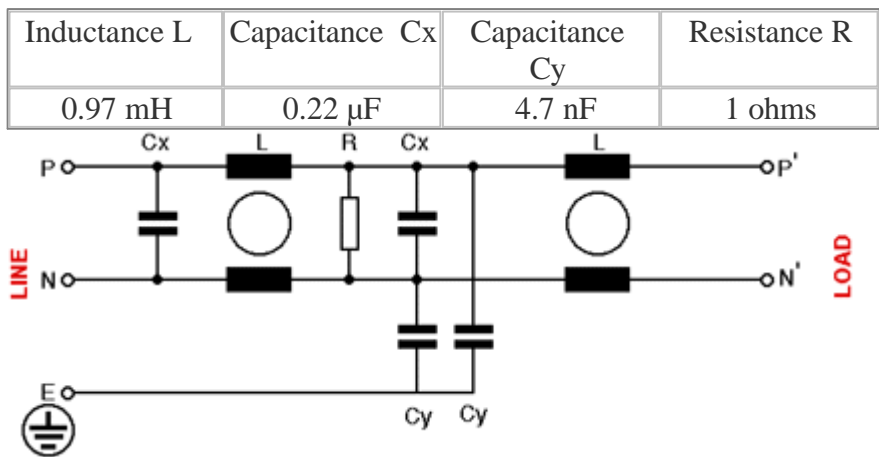
Current rating A at 40°C (25°C)
6 (6.9)

Sample FasTrack
for FN 2060-6/06 samples

[For part numbering and ordering information, [click here](#)]

[NB: Specifications subject to change without notice. This electronic document has been carefully checked. However, Schaffner does not assume any liability for errors or inaccuracies]

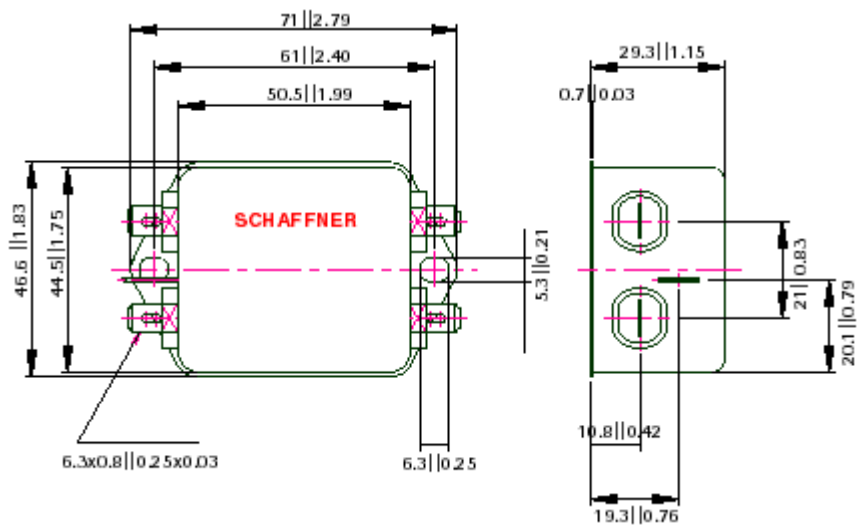
Simplified electrical schematic



Mechanical information

Dimensions: millimetres || inches [25.4mm=1 inch]

Click [here](#) for information on Schaffner's I/O connections



© Schaffner 1998. All trade marks and trade names recognised.
 Please email any comments to Wordsun who maintain this site.