

Type FMS-R-E

Fast Acting Micro Fuse

Radial Leaded – Short Leaded

Designed to Meet IEC Specifications



www.optifuse.com (619) 593-5050

Agency Standards and Listings:



VDE	50mA~6.3A
UL Recognized	50mA~6.3A
PSE	1A~6.3A
SEMKO	50mA~6.3A
CCC	50mA~250mA
CQC	315mA~6.3A

Interrupt Ratings:

VDE, cURus, Semko, CCC, CQC –
35A or 10In whichever is greater
PSE - 100A 250 VAC

Operating Temperature: -55°C ~ +125°C

Physical Specifications (Materials):

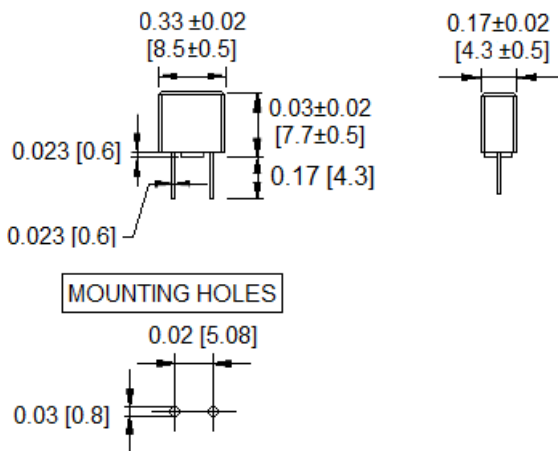
Thermoplastic Body, UL 94-V0
Tin-Lead Plated Alloy Pins

Electrical Characteristics:

210%	275%		400%		1000%
MAX	MIN	MAX	MIN	MAX	MAX
30 m	10 ms	3 s	3 ms	300 ms	20 ms

Part Number	Ampere Rating	Voltage Rating	I ² T
FMS-R-E-50mA	50mA	250V	0.00033
FMS-R-E-63mA	63mA		0.00158
FMS-R-E-80mA	80mA		0.00320
FMS-R-E-100mA	100mA		0.00500
FMS-R-E-125mA	125mA		0.00625
FMS-R-E-160mA	160mA		0.00768
FMS-R-E-200mA	200mA		0.02400
FMS-R-E-250mA	250mA		0.04375
FMS-R-E-315mA	315mA		0.02301
FMS-R-E-400mA	400mA		0.03848
FMS-R-E-500mA	500mA		0.06059
FMS-R-E-630mA	630mA		0.08831
FMS-R-E-800mA	800mA		0.1947
FMS-R-E-1A	1A		0.3133
FMS-R-E-1.25A	1.25A		0.5169
FMS-R-E-1.6A	1.6A		0.9379
FMS-R-E-2A	2A		1.542
FMS-R-E-2.5A	2.5A		2.555
FMS-R-E-3.15A	3.15A		2.085
FMS-R-E-4A	4A		2.816
FMS-R-E-5A	5A	5.473	
FMS-R-E-6.3A	6.3A	10.31	

Mechanical Dimensions: Inches [mm]



Warning: 	-Operation beyond the specified maximum ratings or improper use may result in damage and possible electrical arcing and/or flame.
	-Micro Fuse device are intended for occasional overcurrent protection. Application for repeated overcurrent condition and/or prolonged trip are not anticipated.
	-Avoid contact of Micro Fuse device with chemical solvent. Prolonged contact will damage the device performance.