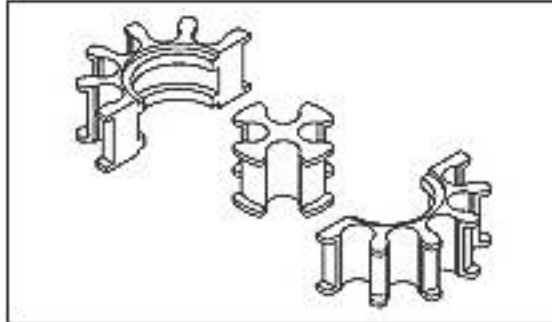




CF4680-000 Product Details

[Share](#) | [Print](#) | [Email](#)



CF4680-000

TE Internal Number: CF4680-000
 [Active](#)

HexaShield Adapters and Ferrule Kits

 [Always EU RoHS/ELV Compliant \(Statement of Compliance\)](#)

Product Highlights:

- Connector Code = 40
- Aluminum Alloy Material
- Nickel (Electroless) Finish
- Star Style = Split
- None

[View all Features](#)

[Add to My Part List](#) |  [Request Sample](#) |  [Find Similar Products](#) |  [Buy Product](#)

Quick Links

- ▶ [Check Pricing & Availability](#)
- ▶ [Search for Tooling](#)
- ▶ [Product Feature Selector](#)
- ▶ [Contact Us About This Product](#)

Documentation & Additional Information

Product Drawings:

- [Star, Multi-Position HexaShield FEMI Termination System \(PDF, English\)](#)

Catalog Pages/Data Sheets:

- None Available

Product Specifications:

- None Available

Application Specifications:

- None Available

Instruction Sheets:

- None Available

CAD Files:

- None Available

Related Products:

- [Tooling](#)

[List all Documents](#)

Product Features (Please use the Product Drawing for all design activity)

Product Type Features:

- [Material](#) = Aluminum Alloy
- [Finish](#) = Nickel (Electroless)

Electrical Characteristics:

- [Star Style](#) = Split

Body Features:

- [Connector Code](#) = 40
- Number of Positions = 14

Configuration Features:

- Braid = None

Industry Standards:

- [RoHS/ELV Compliance](#) = RoHS compliant, ELV compliant
- [Lead Free Solder Processes](#) = Not relevant for lead free process
- RoHS/ELV Compliance History = Always was RoHS compliant

Other:

- Brand = Raychem

Corporate Information

[Who We Are](#)
[Investors](#)
[News Room](#)
[Supplier Portal](#)
[Careers](#)

Quick Links

[Check Distributor Inventory](#)
[Cross Reference](#)
[Find Documents & Drawings](#)
[Product Compliance Support Center](#)
[Site Map](#)

Customer Support

[Email or Chat With Us](#)
[Find a Phone Number](#)
[Search Knowledge Base](#)
[Manage your Account](#)

Keep Me Informed

Receive TE News, Events & Technology Updates

Enter your email address 

