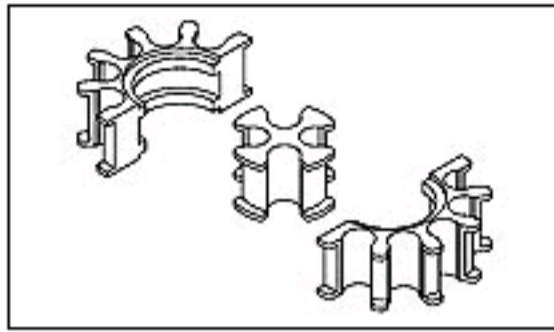


FLX40-020-03 Product Details

[Share](#) | [Print](#) | [Email](#)


FLX40-020-03

TE Internal Number: CB6547-000
✔ Active

HexaShield Adapters and Ferrule Kits

✔ Always EU RoHS/ELV Compliant (Statement of Compliance)

Product Highlights:

- Connector Code = 40
- Aluminum Alloy Material
- Electroless Nickel Finish
- Star Style = Split
- None

[View all Features](#)

Quick Links

- ▶ [Pricing & Availability](#)
- ▶ [Search for Tooling](#)
- ▶ [Product Feature Selector](#)
- ▶ [Contact Us About This Product](#)

[Add to My Part List](#)
[Request Sample](#)
[Find Similar Products](#)
[Buy Product](#)

Documentation & Additional Information

Product Drawings:

- [Star, Multi-Position HexaShieldF EMI Termination System \(PDF, English\)](#)

Catalog Pages/Data Sheets:

- None Available

Product Specifications:

- None Available

Application Specifications:

- None Available

Instruction Sheets:

- None Available

CAD Files:

- None Available

Related Products:

- [Tooling](#)

[List all Documents](#)

Product Features (Please use the Product Drawing for all design activity)

Product Type Features:

- [Finish](#) = Electroless Nickel

Electrical Characteristics:

- [Star Style](#) = Split

Body Features:

- [Connector Code](#) = 40
- [Material](#) = Aluminum Alloy

Configuration Features:

- [Braid](#) = None
- [Number of 22 AWG Shielded Pairs, Max.](#) = 12
- [Number of 20 AWG Shielded Pairs, Max.](#) = 9
- [Number of Positions](#) = 3

Industry Standards:

- [RoHS/ELV Compliance](#) = RoHS compliant, ELV compliant
- [Lead Free Solder Processes](#) = Not relevant for lead free process
- [RoHS/ELV Compliance History](#) = Always was RoHS compliant

Conditions for Usage:

- [Salt Spray Resistance \(Hr\)](#) = 48

Other:

- [Brand](#) = Raychem

Corporate Information

- [About TE](#)
- [Investors](#)
- [News Room](#)
- [Supplier Portal](#)
- [Careers](#)
- [Terms & Conditions](#)
- [Privacy Policy](#)

Quick Links

- [Distributor Inventory](#)
- [Product Cross Reference](#)
- [Documents & Drawings](#)
- [Product Compliance Support Center](#)
- [Site Map](#)

Customer Support

- [Email or Chat With Us](#)
- [Find a Phone Number](#)
- [Knowledge Base](#)
- [Manage Your Account](#)

Keep Me Informed

Receive TE News, Events & Technology Updates

[▶](#)

