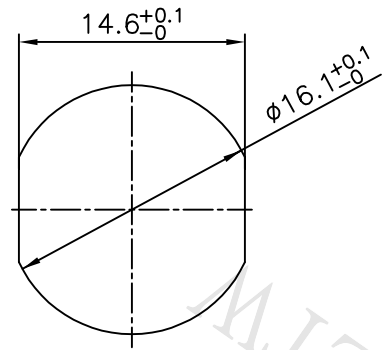
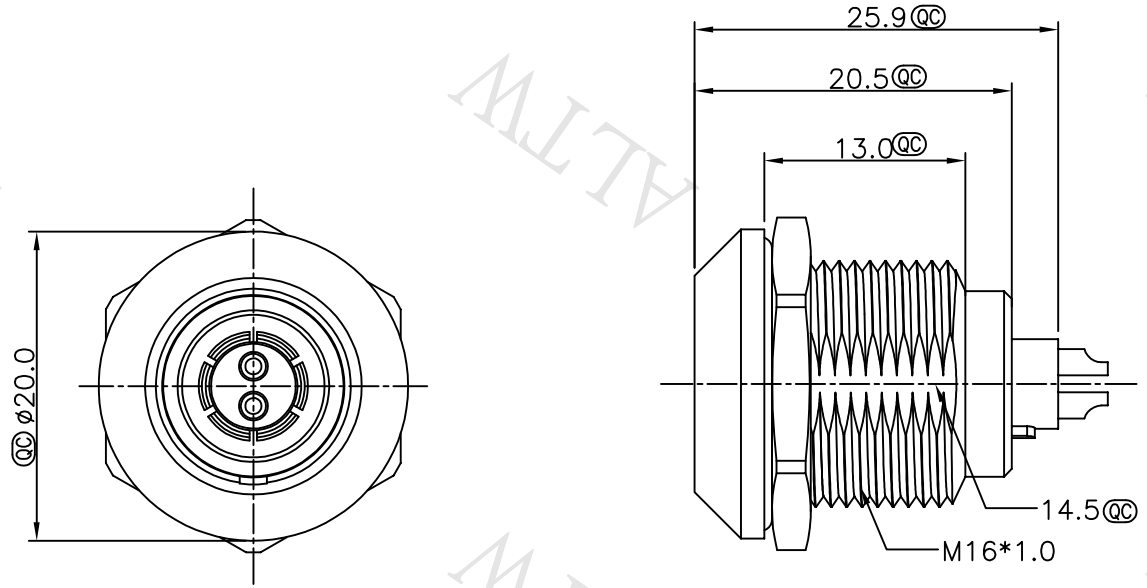
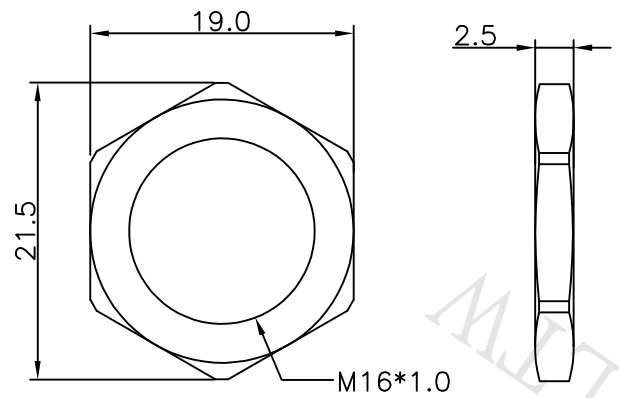


REV.	DESCRIPTION

THIS DOCUMENT IS SUBJECT TO CHANGE WITHOUT NOTICE. IT IS CONFIDENTIAL AND A PROPERTY OF Amphenol LTW. DISCLOSURE TO THIRD PARTY HAS TO BE AUTHORIZED BY Amphenol LTW.



Conn.  
Pin Assignments  
Front View



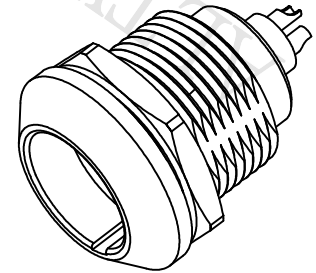
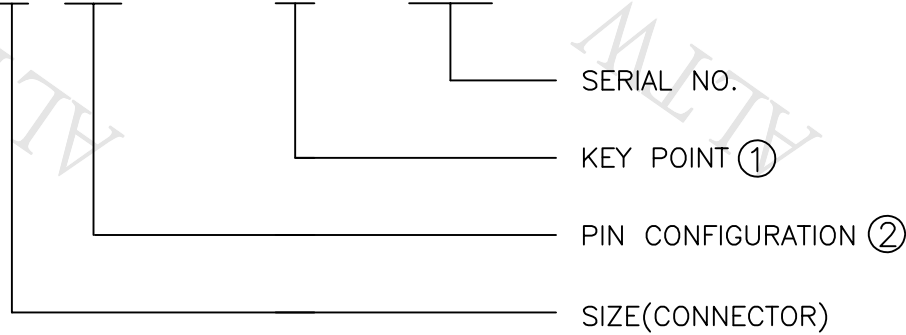
NUT

- Notes:
- \* @@ Important Dimensions To Check.
  - \* Waterproof Rate: IP68(Mated)
  - \* Female Pin: Copper Alloy, Gold Plated.
  - \* Use Panel Thickness Max: 10.0mm

UNIT:mm TOLERANCE ±0.5MM	TITLE FLO 1K PANEL CONNECTOR		<b>Amphenol LTW</b> 安費諾亮泰企業股份有限公司	ITEM NO FLKC-XXEGFS-XCP-XXX	DRAWN BY Ouyang	DATE 2018/09/05
	SCALE Free	SHEET 1 OF 2		DWG NO FLKC-XXEGFS-XCP-XXX	CHECKED BY Mafei	DATE 2018/09/05
REV. 01	SIZE A4	@@ : Inspection Item	CUSTOMER ALTW	APPROVED BY Jerry	DATE 2018/09/05	

THIS DOCUMENT IS SUBJECT TO CHANGE WITHOUT NOTICE. IT IS CONFIDENTIAL AND A PROPERTY OF Amphenol LTW. DISCLOSURE TO THIRD PARTY HAS TO BE AUTHORIZED BY Amphenol LTW.

FLKC-XXEGFS-XCP-XXX



KEY POINT ①

CODE	G	A	B	C	D
	0°	30°	45°	60°	95°
GRAPHIC					

PIN CONFIGURATION (Solder Definition) ②

GRAPHIC										
	2 PIN	3 PIN	4 PIN	5 PIN	6 PIN	7 PIN	8 PIN	10 PIN	14 PIN	16 PIN

UNIT:mm		TITLE FLO 1K PANEL CONNECTOR	
TOLERANCE	±0.5MM	SCALE Free	SHEET 2 OF 2
REV.	01	SIZE A4	QC : Inspection Item

**Amphenol LTW**  
安費諾亮泰企業股份有限公司

ITEM NO FLKC-XXEGFS-XCP-XXX	DRAWN BY Ouyang	DATE 2018/09/05
DWG NO FLKC-XXEGFS-XCP-XXX	CHECKED BY Mafei	DATE 2018/09/05
CUSTOMER ALTW	APPROVED BY Jerry	DATE 2018/09/05