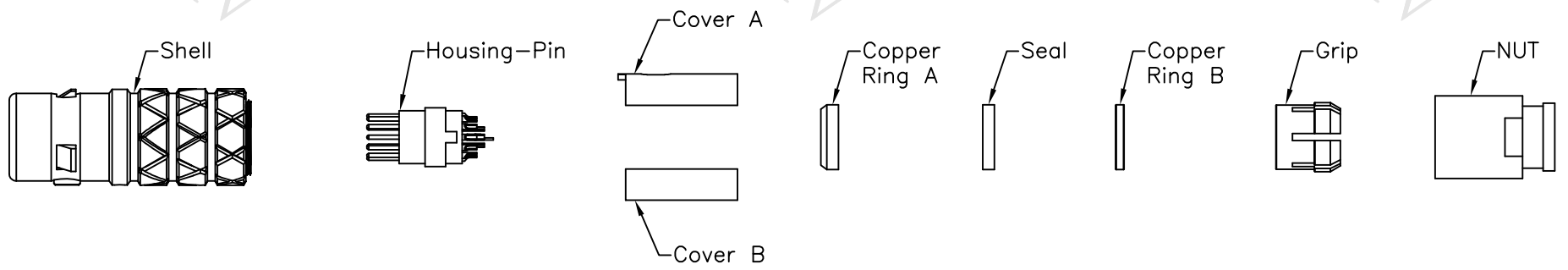
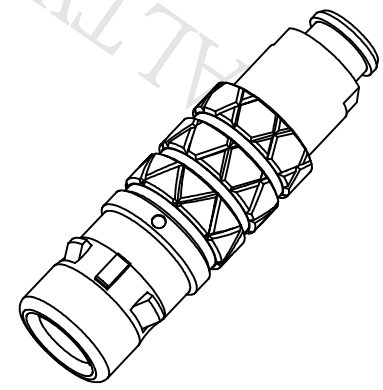
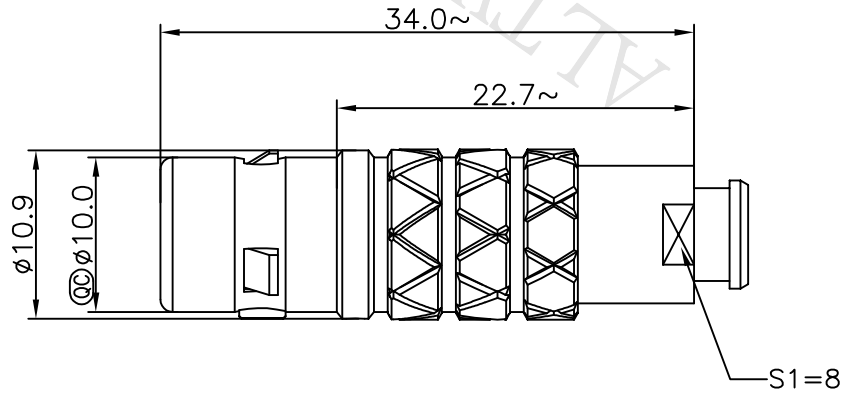


| REV. | DESCRIPTION |
|------|-------------|
| | |
| | |

THIS DOCUMENT IS SUBJECT TO CHANGE WITHOUT NOTICE. IT IS CONFIDENTIAL AND A PROPERTY OF Amphenol LTW. DISCLOSURE TO THIRD PARTY HAS TO BE AUTHORIZED BY Amphenol LTW.



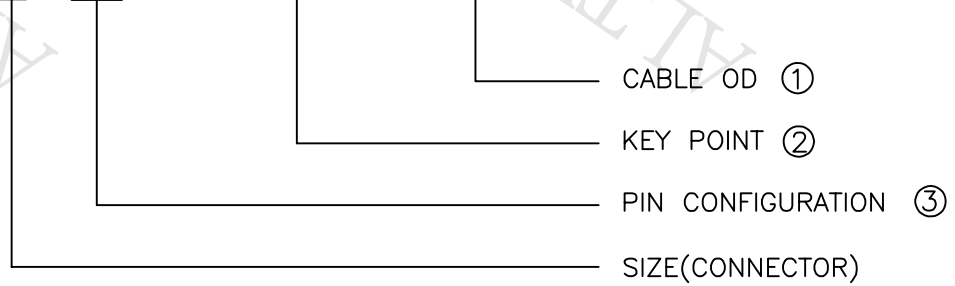
- Notes:
- * QC Important Dimensions To Check.
 - * Waterproof Rate: IP68
(Mated, by Applying O-ring and Potting Material)
 - * Male Pin: Copper Alloy, Gold Plated.

| | | | | | | |
|-------------|---------------------------------|-------------------------------|--------------------------------------|--------------------------------|-------------------------------|---------------------|
| UNIT:mm | TITLE FLO OK FI CONNECTOR | | Amphenol LTW 安費諾亮泰企業股份有限公司 | ITEM NO FLKB-XXFGMS-XCP-2XX | DRAWN BY Ouyang | DATE 2018/09/04 |
| | TOLERANCE $\pm 0.5\text{MM}$ | SCALE Free | | SHEET 1 OF 2 | DWG NO FLKB-XXFGMS-XCP-2XX | CHECKED BY Mafei |
| REV. 01 | SIZE A4 | QC : Inspection Item | CUSTOMER ALTW | APPROVED BY Jerry | DATE 2018/09/04 | |

THIS DOCUMENT IS SUBJECT TO CHANGE WITHOUT NOTICE. IT IS CONFIDENTIAL AND A PROPERTY OF Amphenol LTW. DISCLOSURE TO THIRD PARTY HAS TO BE AUTHORIZED BY Amphenol LTW.

| OK-SERIES CABLE COLLET(CABLE OD) | | | |
|----------------------------------|--------|-----------------|-----|
| CABLE CLAMP SET | | CABLE DIA RANGE | |
| TYPE | CODE ① | MAX | MIN |
| FLKB-XXFGMS-XCP-2XX | 03 | 3.0 | 2.8 |
| | 05 | 3.6 | 3.4 |
| | 06 | 4.0 | 3.8 |
| | 09 | 4.7 | 4.5 |

FLKB-XXFGMS-XCP-2XX



| KEY POINT | | | | | |
|-----------|----|-----|-----|-----|-----|
| CODE ② | G | A | B | C | D |
| | 0° | 30° | 45° | 60° | 95° |
| GRAPHIC | | | | | |

| PIN CONFIGURATION (Solder Definition) ③ | | | | | | | |
|---|-------|-------|-------|-------|-------|-------|-------|
| GRAPHIC | | | | | | | |
| | 2 PIN | 3 PIN | 4 PIN | 5 PIN | 6 PIN | 7 PIN | 9 PIN |

| | | |
|-----------|---------|---------------------|
| UNIT:mm | | TITLE |
| TOLERANCE | ±0.5MM | FLO OK FI CONNECTOR |
| SCALE | Free | SHEET 2 OF 2 |
| REV. 01 | SIZE A4 | ◎ : Inspection Item |

Amphenol LTW
安費諾亮泰企業股份有限公司

| | | | | | |
|----------|---------------------|-------------|--------|------|------------|
| ITEM NO | FLKB-XXFGMS-XCP-2XX | DRAWN BY | Ouyang | DATE | 2018/09/04 |
| DWG NO | FLKB-XXFGMS-XCP-2XX | CHECKED BY | Mafei | DATE | 2018/09/04 |
| CUSTOMER | ALTW | APPROVED BY | Jerry | DATE | 2018/09/04 |