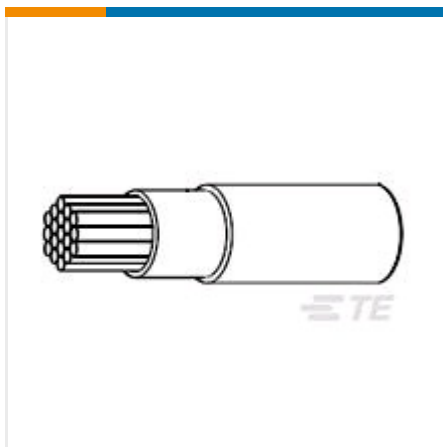




[+ WIRE AND CABLE](#)

[HOOK UP WIRE](#)



✓ Active

TE CONNECTIVITY (TE)

FLDWC0311-20-0

Raychem

FLDWC0311-20-0

TE Internal Number: 649713-000

Alias ID: 1-1195128-8

[EU RoHS Compliant](#)

[EU ELV Compliant](#)

Cable Type FlexLite DW

Voltage Rating (V) 600

Insulation Material Radiation-Crosslinked, Polyalkene

Conductor Material Tin-Plated Copper

Wire Size (AWG) 20

[↓ PRODUCT DRAWING](#)

English

DOCUMENTATION

Product Drawings

DUAL WALL HOOKUP WIRE, RADIATION-CROSSLINKED, POLYALKENE-INSULATED, 600 VOLT

PDF (TIFF AVAILABLE)

English

Product Specifications

Product Specification

Wire And Cable, Electric, Insulated Copper

PDF

English

FEATURES



Please review product documents or [contact us](#) for the latest agency approval information.

Please Note: Use the Product Drawing for all design activity.

Product Type Features

Cable Type FlexLite DW

Cable Style Primary, Stranded

Product Classification Wire - Commercial

Product Type Wire

Configuration Features

Number of Strands 19

Number of Conductors 1

Electrical Characteristics

Voltage Rating (V) 600

Resistance (Max) 32 Ω /1000 ft @ 68°F

Body Features

Insulation Material Radiation-Crosslinked, Polyalkene

Conductor Material Tin-Plated Copper

Wire Color Black

Weight (kg/km) 7.59

Dimensions

Strand Size (AWG) 32

Wire Size (AWG) 20

Wire Size (mm²) .518

Conductor Size (AWG) 20

Conductor Diameter .95 mm [.038 in]

Insulation Thickness .127 mm [.005 in]

Overall Outside Diameter Range 1.52 – 1.63 mm [.06 – .064 in]

Overall Outside Diameter 1.5776 mm [.062 in]

Wire Diameter 1.5776 mm [.062 in]

Usage Conditions

Operating Temperature Range (°C) -45 – 125

PRODUCT COMPLIANCE



Statement of Compliance

Statement of Compliance

PDF
