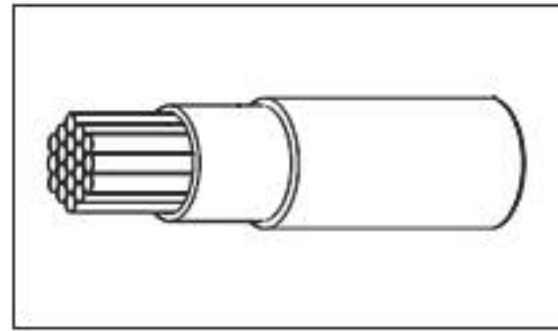


## FLDWC0311-16-2 Product Details

[Share](#) [Print](#) [Email](#)


FLDWC0311-16-2

TE Internal Number: 758771-000

[Active](#)

### Commercial Wire

[Always EU RoHS/ELV Compliant \(Statement of Compliance\)](#)

#### Product Highlights:

- Cable Type = FlexLite DW
- Conductor Type = Tin-Plated Copper
- Conductor (Wire) Size = 16 AWG
- Temperature Range = -45 - 125 °C
- Color = Red

[View all Features](#)

### Quick Links

- ▶ [Check Pricing & Availability](#)
- ▶ [Search for Tooling](#)
- ▶ [Product Feature Selector](#)
- ▶ [Contact Us About This Product](#)

[Add to My Part List](#)
[Request Sample](#)
[Find Similar Products](#)
[Buy Product](#)

### Documentation & Additional Information

#### Product Drawings:

- [DUAL WALL HOOKUP WIRE, RADIATION-CROSSLINKED, POLYAL...](#) (PDF, English)

#### Catalog Pages/Data Sheets:

- None Available

#### Product Specifications:

- None Available

#### Application Specifications:

- None Available

#### Instruction Sheets:

- None Available

#### CAD Files:

- None Available

#### Related Products:

- [Tooling](#)

[List all Documents](#)

### Product Features (Please use the Product Drawing for all design activity)

#### Product Type Features:

- [Cable Type](#) = FlexLite DW
- Color = Red
- Cable Style = Primary
- Number of Conductors = 1

#### Electrical Characteristics:

- Number of Strands x AWG = 19 Strands x 29 AWG
- Voltage (VAC) = 600
- Resistance, Maximum ( $\Omega$ /1000 ft@68°F) = 15.8

#### Body Features:

- Conductor Type = Tin-Plated Copper
- Wire Type = Stranded
- Cable Diameter Range (mm [in]) = 1.98 - 2.13 [0.078 - 0.084]
- Nominal Weight (kg/km) = 14.58

#### Configuration Features:

- Conductor (Wire) Size = 16 AWG
- Conductor Diameter (mm [in]) = 1.33 [0.053]

#### Industry Standards:

- [RoHS/ELV Compliance](#) = RoHS compliant, ELV compliant
- [Lead Free Solder Processes](#) = Not relevant for lead free process
- RoHS/ELV Compliance History = Always was RoHS compliant

#### Conditions for Usage:

- Temperature Range (°C) = -45 - +125

#### Product Availability:

- Region = Americas, Asia/Pacific

#### Other:

- Brand = Raychem

### Corporate Information

- [Who We Are](#)
- [Investors](#)
- [News Room](#)
- [Supplier Portal](#)
- [Careers](#)

### Quick Links

- [Check Distributor Inventory](#)
- [Cross Reference](#)
- [Find Documents & Drawings](#)
- [Product Compliance Support Center](#)
- [Site Map](#)

### Customer Support

- [Email or Chat With Us](#)
- [Find a Phone Number](#)
- [Search Knowledge Base](#)
- [Manage your Account](#)

### Keep Me Informed

Receive TE News, Events & Technology Updates

Enter your email address

