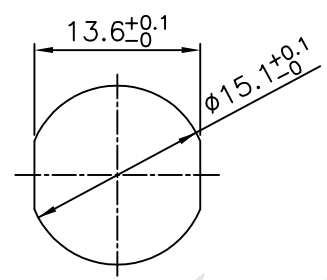
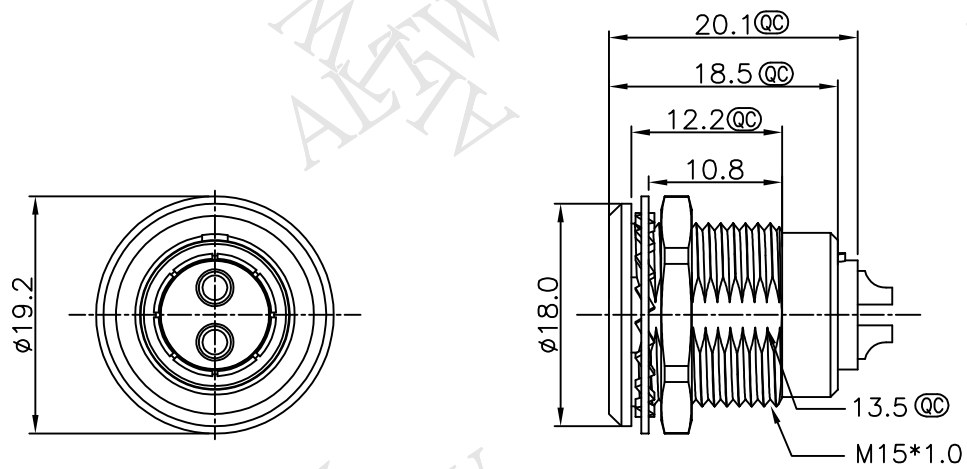
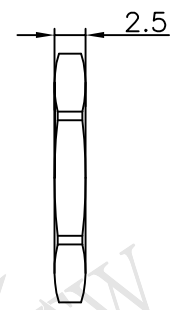
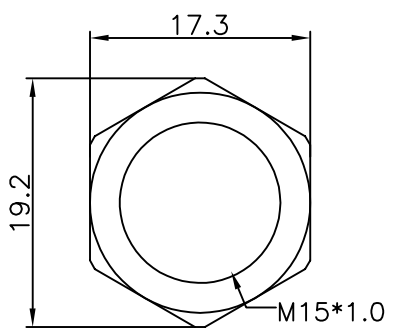


REV.	DESCRIPTION
01	New Initial.

THIS DOCUMENT IS SUBJECT TO CHANGE WITHOUT NOTICE. IT IS CONFIDENTIAL AND A PROPERTY OF Amphenol LTW. DISCLOSURE TO THIRD PARTY HAS TO BE AUTHORIZED BY Amphenol LTW.



Conn.  
Pin Assignments  
Front View



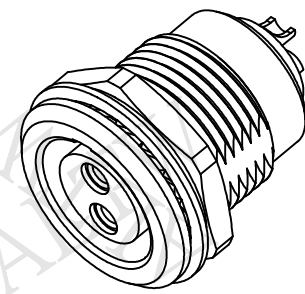
NUT

- Notes:
- \* @@ Important Dimensions To Check.
  - \* Female Pin: Copper Alloy, Gold Plated.
  - \* Use Panel Thickness Max: 7.0mm

UNIT:mm		TITLE		<h1>Amphenol LTW</h1>	ITEM NO	DRAWN BY	DATE
		FLO 2B PANEL CONNECTOR			FLBD-XXEGFS-XCP-XXX	Ouyang	2018/09/05
TOLERANCE		SCALE	SHEET	<h2>安費諾亮泰企業股份有限公司</h2>	DWG NO	CHECKED BY	DATE
±0.5MM		Free	1 OF 2		FLBD-XXEGFS-XCP-XXX	Mafei	2018/09/05
REV.	SIZE	@@ :Inspection Item		CUSTOMER	APPROVED BY	DATE	
01	A4			ALTW	Jerry	2018/09/05	

FLBD-XXEGFS-XCP-XXX

SERIAL NO.  
 KEY POINT ①  
 PIN CONFIGURATION ②  
 SIZE(CONNECTOR)



KEY POINT ①

CODE	G	A	B	C	J	F
GRAPHIC	0°	30°	60°	90°	45°	155°

PIN CONFIGURATION (Solder Definition)②

GRAPHIC	2 PIN	3 PIN	4 PIN	5 PIN	6 PIN	7 PIN
	8 PIN	10 PIN	12 PIN	14 PIN	16 PIN	18 PIN
	19 PIN					

UNIT:mm	
TOLERANCE	±0.5MM

TITLE FLO 2B PANEL CONNECTOR	
SCALE Free	SHEET 2 OF 2
REV. 01	SIZE A4
© :Inspection Item	

**Amphenol LTW**  
 安費諾亮泰企業股份有限公司

ITEM NO FLBD-XXEGFS-XCP-XXX
DWG NO FLBD-XXEGFS-XCP-XXX
CUSTOMER ALTW

DRAWN BY Ouyang
CHECKED BY Mafei
APPROVED BY Jerry

DATE 2018/09/05
DATE 2018/09/05
DATE 2018/09/05

THIS DOCUMENT IS SUBJECT TO CHANGE WITHOUT NOTICE. IT IS CONFIDENTIAL AND A PROPERTY OF Amphenol LTW. DISCLOSURE TO THIRD PARTY HAS TO BE AUTHORIZED BY Amphenol LTW.