



Mallory Sonalert Products, Inc.

Part #:

**FL1M-12FW-1
12mm Panel Light**

Sales Outline Drawing

Revision:

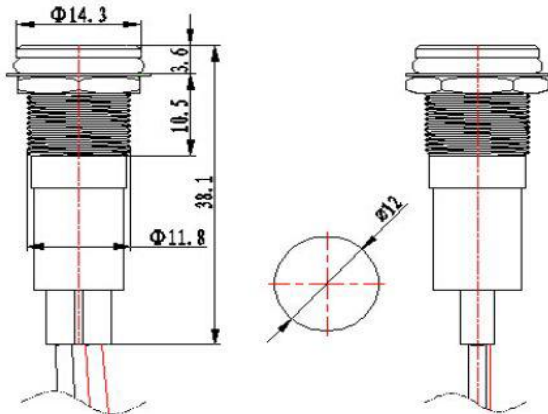
A

Specifications:

| | |
|---------------------------------|--|
| Panel Hole | 12 mm |
| LED Color Available | Red, Green, Blue, Yellow, or White |
| Lens Color | Same as LED |
| Rated Voltage Available | See table below |
| Max Current Draw | 20 mA |
| Storage & Operating Temperature | -20 °C to +85 °C |
| Ingress Protection Rating | IP65 |
| LED Life | 70,000 hours |
| Weight (Typical) | 15 g |
| Housing Material | Nickel-plated Brass, PA66, and Polycarbonate |
| Termination Type | Wires |
| Wire Specification | 7.3" (185 mm) PVC AWG18 |
| Max Nut Torque | 32 ft-lbs (44 Nm) |
| Panel Thickness | 0.04-0.26" (1-6.5 mm) |
| Hardware Kit | LM12-FSQ12-MHDP12 |

RoHS Compliant

Dimensions (mm):



Part Number:

FL1M-12FW-1-X#V

B=Blue
G=Green
R=Red
Y=Yellow
W=White

Rated Voltage

Length for reference only.

| | Light Intensity | Dominant Wavelength | Viewing Angle |
|--------|-----------------|---------------------|---------------|
| Red | 1000 -1500 mcd | 622 nm | 150° |
| Green | 8000 -10000 mcd | 522 nm | 150° |
| Yellow | 1000 -1500 mcd | 590 nm | 150° |
| Blue | 2000 - 3000 mcd | 464 nm | 150° |

| Rated Voltage | 2 VAC/DC | 3 VAC/DC | 6 VAC/DC | 12 VAC/DC | 24 VAC/DC | 48 VAC/DC | 110 VAC/DC | 220 VAC/DC | 380 VAC/DC |
|---------------|----------|-----------|----------|------------|------------|------------|------------|------------|------------|
| Red | 1.8-2.2V | 2.7-3.3V | 5.4-6.6V | 10.8-13.2V | 21.6-26.4V | 43.2-52.8V | 99-121V | 198-242V | 342-418V |
| Green | N/A | 3-3.2V | 5.4-6.6V | 10.8-13.2V | 21.6-26.4V | 43.2-52.8V | 99-121V | 198-242V | 342-418V |
| Blue | N/A | 3.12-3.2V | 5.4-6.6V | 10.8-13.2V | 21.6-26.4V | 43.2-52.8V | 99-121V | 198-242V | 342-418V |
| Yellow | 2-2.2V | 2.7-3.3V | 5.4-6.6V | 10.8-13.2V | 21.6-26.4V | 43.2-52.8V | 99-121V | 198-242V | 342-418V |
| White | N/A | 3-3.2V | 5.4-6.6V | 10.8-13.2V | 21.6-26.4V | 43.2-52.8V | 99-121V | 198-242V | 342-418V |