



## THE FL.SERIES RANGE, THE FIRST 12MM /13.5MM PUSH BUTTON IN THE WORLD WITH A FULLY ILLUMINATED LENS.

Available in 12mm and 13.5mm standard mounting hole sizes, a unique high brightness full face illuminated switch and a non-illuminated version as a plug-in replacement for competitor products.

Designed and manufactured in France with IP67 sealing and rugged PA6.6 polyamide construction the FL series has superb tactile feedback and vibrant single or bi-colour multi-LED illumination.

### MECHANICAL

Travel (nom)	2 mm ±0.3mm
Operating force (nom)	5 N ±30%
Panel thickness (max)	1 - 6 mm
Terminal type	Plug-in terminal 2.8 x 0.5
Switching action	Momentary

### ELECTRICAL

Dielectric strength	2500V a.c.
Insulation resistance	1GΩ
Contact resistance	< 50mΩ

### LIGHTING

Voltage	5V
Current LED	65 mA max

### ENVIRONMENTAL

Ingress protection	IP67
Operating temperature range	-40°C to +85°C



### MATERIALS

Body	PA 6.6
Button	PC
Contacts	Gold plated nickel
Contacts terminals	Gold plated nickel
LED terminals	Silver plated nickel

### PART NUMBERS

#### NON-ILLUMINATED

Ø13.5	Ø12	Cap
FL13NN	FL12NN	Black
FL13NB	FL12NB	Blue
FL13NG	FL12NG	Green
FL13NO	FL12NO	Orange
FL13NR	FL12NR	Red
FL13NW	FL12NW	White
FL13NY	FL12NY	Yellow

#### ILLUMINATED

Ø13.5	Ø12	Cap
FL13LB5	FL12LB5	Blue
FL13LG5	FL12LG5	Green
FL13LO5	FL12LO5	Orange
FL13LR5	FL12LR5	Red
FL13LW5	FL12LW5	White
FL13LY5	FL12LY5	Yellow

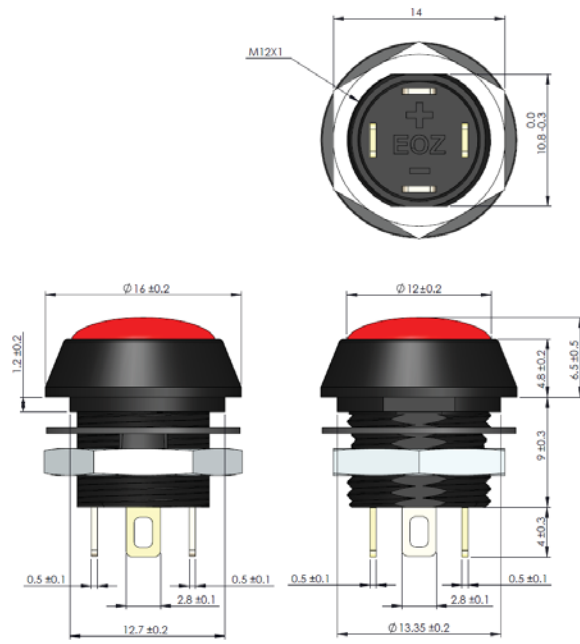
#### DUAL-COLOR ILLUMINATED

Ø13.5	Ø12	Cap	Illumination color
FL13DGB5	FL12DGB5	Milky white	Green or Blue
FL13DRB5	FL12DRB5	Milky white	Red or Blue
FL13DRG5	FL12DRG5	Milky white	Red or Green

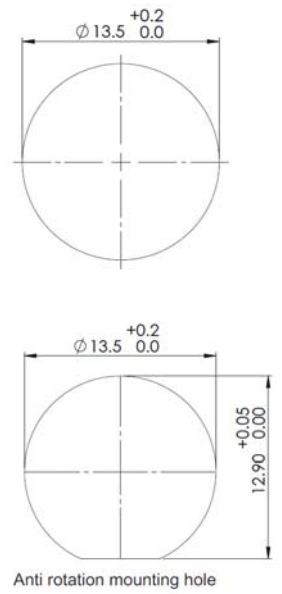
EAO Ltd  
Highland House  
Albert Drive  
Burgess Hill  
RH15 9TN  
Tel 01444 236000  
sales.euk@eao.com



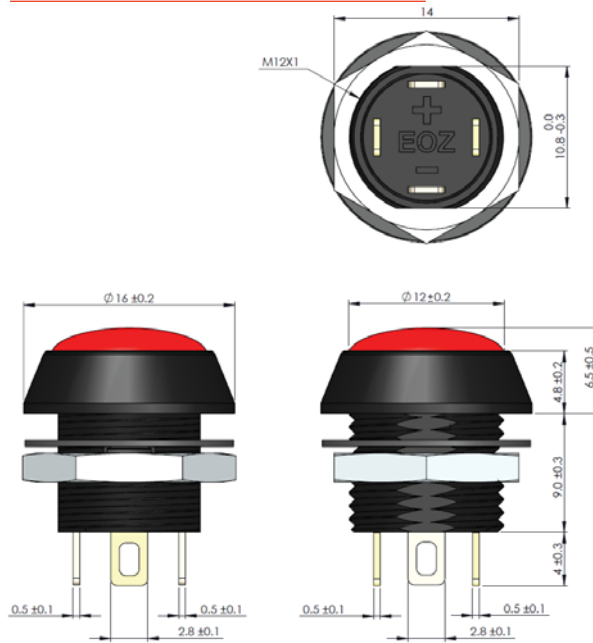
### Ø13.5mm PRODUCT DRAWINGS



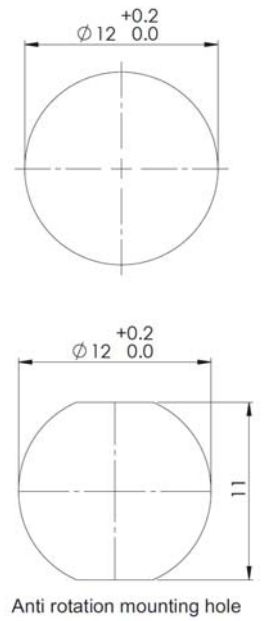
### PANEL CUT OUT



### Ø12mm PRODUCT DRAWINGS



### PANEL CUT OUT



### DIAGRAM

