

MATERIAL: Frame — Aluminum alloy, 0.81 (.032) thk.
 Screen — Aluminum alloy, 30 x 30 mesh,
 0.30 (.012) dia. wire.

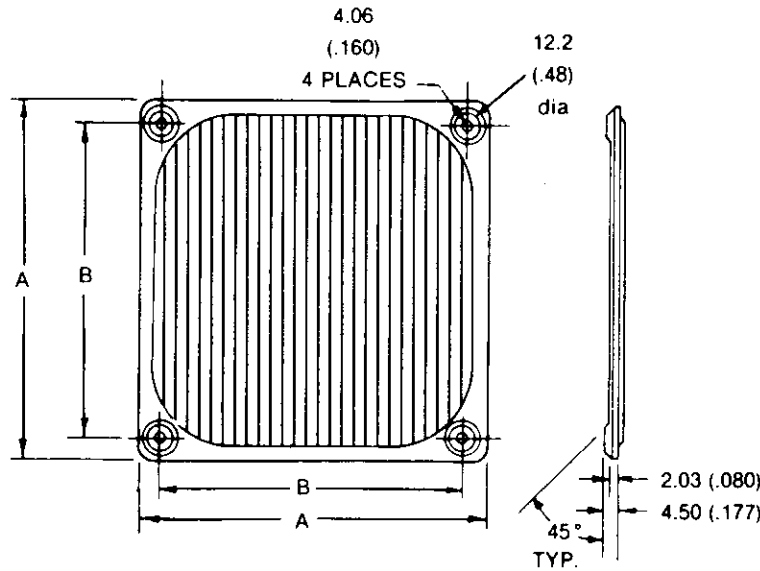
FINISH: P/N FL120 — 1 - Mill finish (no finish)
 — 2 - Gold iridite
 — 3 - Clear iridite
 — 4 - Black anodize

DIMENSIONS: Millimeters (Inches)

TOLERANCES: Millimeters - .x = ± 0.8, .xx = ± 0.25
 (Inches) — .xx = ± .03, .xxx = ± .010

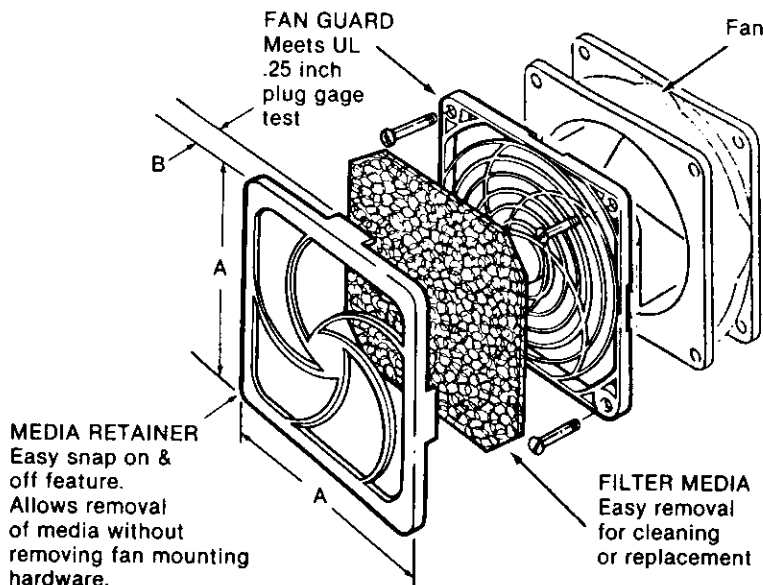
TABULATION

P/N	Used On	A Dim.	B Dim.
FL120-x	120 Series	118.9 (4.68)	104.77 (4.125)
FL92-x	92 Series	91.9 (3.62)	82.55 (3.250)
FL80-x	80 Series	83.8 (3.30)	71.42 (2.812)



PART NUMBERS: GR120-1, GR92-1 & GR80-1 (For 120,92 and 80 Series Fans)

MATERIAL: Fan Guard & Media Retainer — Black molded plastic, meets UL 94V-0.
 Filter Media — Polyurethane foam, 3.18 (.125) thk., 30 ppi. Washable.



TABULATION

P/N	A Dim.	B Dim.
GR120-1	123.4 (4.86)	10.7 (.42)
GR92-1	96.5 (3.80)	10 (.39)
GR80-1	83.8 (3.30)	10.2 (.40)