

(0.50 mm) .0197"

FJH SERIES

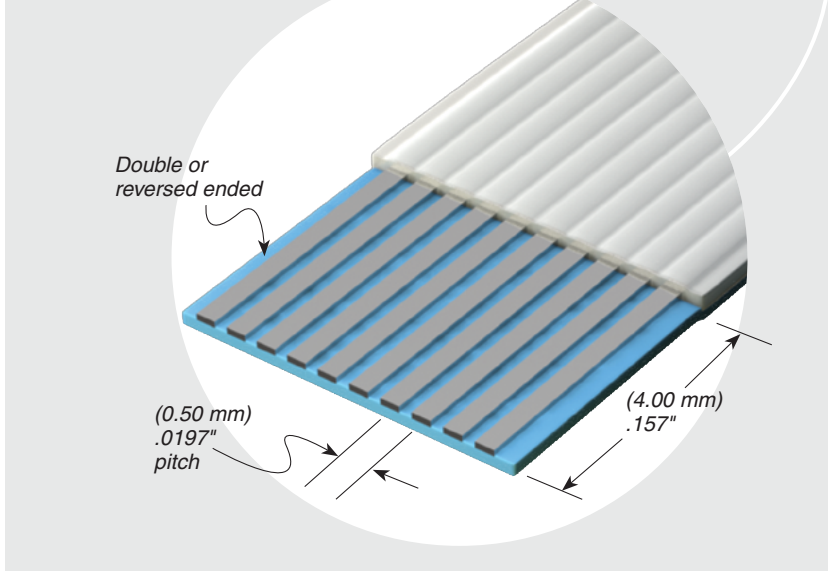
# FLAT FLEXIBLE CABLE (FFC) JUMPER

## SPECIFICATIONS

For complete specifications see [www.samtec.com/FJH](http://www.samtec.com/FJH)

- Conductor:** Tin Plated Copper
- Conductor Resistance:** 1000 Ω/km max
- Insulation Resistance:** 10 MΩ/km min (conductor-to-conductor)
- Dielectric Test:** 400 VAC during 1 minute (conductor-to-conductor)
- Temperature Rating:** -30 °C to +80 °C
- Voltage Rating:** 60 VAC
- RoHS Compliant:** Yes

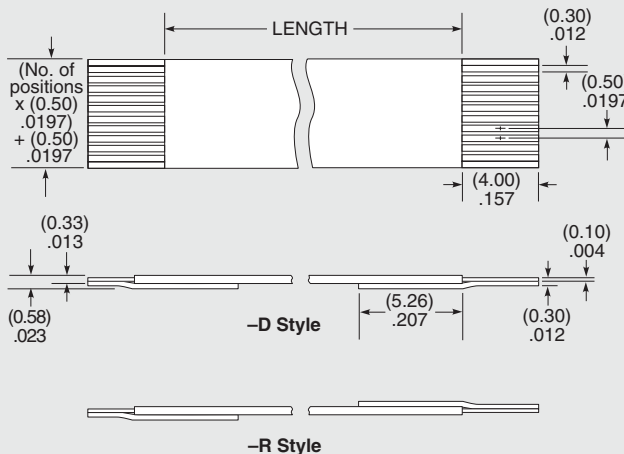
Mates with:  
ZF5S



FJH	NO. OF POSITIONS	STYLE	LENGTH	STRIP LENGTH
	-10, -15, -20, -25, -30, -40, -43, -50	-D = Double End -R = Reversed End	Length in inches -03.00 = (76.2 mm) 3.00" -06.00 = (152.4 mm) 6.00" -12.00 = (304.8 mm) 12.00" -24.00 = (609.6 mm) 24.00" (Standard Lengths)	-4 = (4.00 mm) .157"

## ALSO AVAILABLE (MOQ Required)

- Other Lengths
- Contact Samtec.



**Notes:**  
Stiffener color will be blue or black at Samtec's discretion. Some sizes, styles and options are non-standard, non-returnable.

*Due to technical progress, all designs, specifications and components are subject to change without notice.*

[WWW.SAMTEC.COM](http://WWW.SAMTEC.COM)

All parts within this catalog are built to Samtec's specifications. Customer specific requirements must be approved by Samtec and identified in a Samtec customer-specific drawing to apply.