

General Application:

The **FGW** Series Wire Form Fan Guards are designed for tubeaxial fans in 40mm; 50mm; 60mm; 70mm; 80mm; 92mm; 120mm; 172mm; 220mm; 254mm size and other custom design products.

FGW-040A-1

		<p>Fits for Fan Size:</p> <p>40x40x07mm; 40x40x10mm 40x40x15mm; 40x40x20mm 40x40x28mm</p> <p>Notes:</p> <ul style="list-style-type: none"> • Materials: Bright basic wire. • Finish: bright nickel chrome plating. • (1) Rings are Ø 1.6mm. • (2) Ribs are Ø 1.6mm. • Weld joints to withstand 88 lbs pull force. • Part meets Ø 6.35mm plug gauge test.
--	--	--

FGW-050A-1

		<p>Fits for Fan Size:</p> <p>50x50x10mm; 50x50x15mm 50x50x20mm; 50x50x25mm</p> <p>Notes:</p> <ul style="list-style-type: none"> • Materials: Bright basic wire. • Finish: bright nickel chrome plating. • (1) Rings are Ø 1.6mm. • (2) Ribs are Ø 1.6mm. • Weld joints to withstand 88 lbs pull force. • Part meets Ø 6.35mm plug gauge test.
--	--	--

FGW-060A-1

		<p>Fits for Fan Size:</p> <p>60x60x10mm; 60x60x15mm 60x60x20mm; 60x60x25mm 60x60x38mm</p> <p>Notes:</p> <ul style="list-style-type: none"> • Materials: Bright basic wire. • Finish: bright nickel chrome plating. • (1) Rings are Ø 1.6mm. • (2) Ribs are Ø 1.6mm. • Weld joints to withstand 110 lbs pull force. • Part meets Ø 6.35mm plug gauge test.
--	--	---



General Application :

The **FGW** Series Wire Form Fan Guards are designed for tubeaxial fans in 40mm; 50mm; 60mm; 70mm; 80mm; 92mm; 120mm; 172mm; 220mm; 254mm size and other custom design products.

FGW-070A-1

		<p>Fits for Fan Size :</p> <p>70x70x10mm; 70x70x15mm 70x70x20mm; 70x70x25mm 70x70x38mm</p> <p>Notes :</p> <ul style="list-style-type: none"> • Materials: Bright basic wire. • Finish: bright nickel chrome plating. • (1) Rings are Ø 1.6mm. • (2) Ribs are Ø 1.6mm. • Weld joints to withstand 110 lbs pull force. • Part meets Ø 6.35mm plug gauge test.
--	--	---

FGW-080A-1

		<p>Fits for Fan Size :</p> <p>80x80x10mm; 80x80x15mm 80x80x20mm; 80x80x25mm 80x80x32mm; 80x80x38mm</p> <p>Notes :</p> <ul style="list-style-type: none"> • Materials: Bright basic wire. • Finish: bright nickel chrome plating. • (1) Rings are Ø 1.6mm. • (2) Ribs are Ø 1.8mm. • Weld joints to withstand 110 lbs pull force. • Part meets Ø 6.35mm plug gauge test.
--	--	---

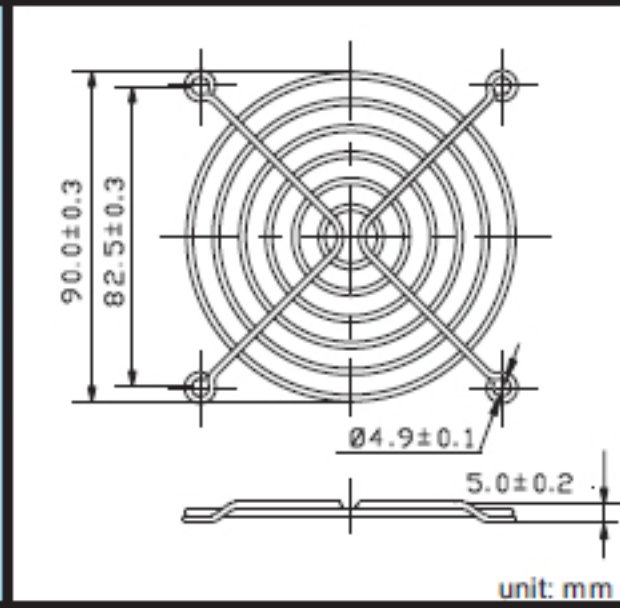
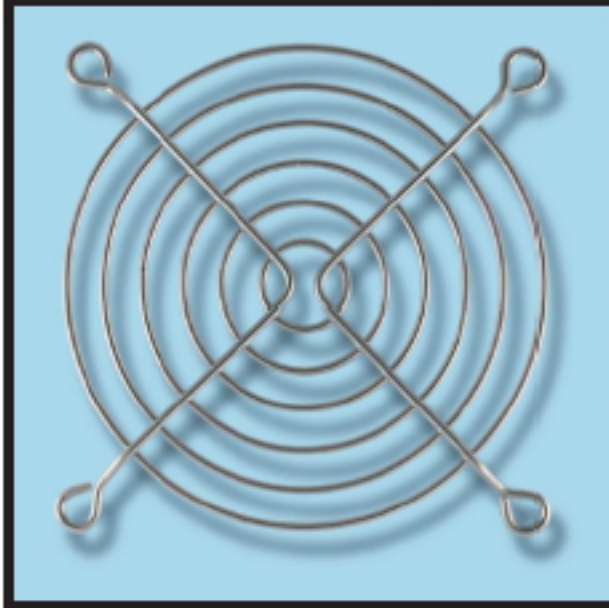
FGW-080A-2

		<p>Fits for Fan Size :</p> <p>80x80x10mm; 80x80x15mm 80x80x20mm; 80x80x25mm 80x80x32mm; 80x80x38mm</p> <p>Notes :</p> <ul style="list-style-type: none"> • Materials: Bright basic wire. • Finish: bright nickel chrome plating. • (1) Rings are Ø 1.8mm. • (2) Ribs are Ø 1.8mm. • Weld joints to withstand 110 lbs pull force. • Part meets Ø 6.35mm plug gauge test.
--	--	---

General Application:

The FGW Series Wire Form Fan Guards are designed for tubeaxial fans in 40mm; 50mm; 60mm; 70mm; 80mm; 92mm; 120mm; 172mm; 220mm; 254mm size and other custom design products.

● **FGW-090A-1**



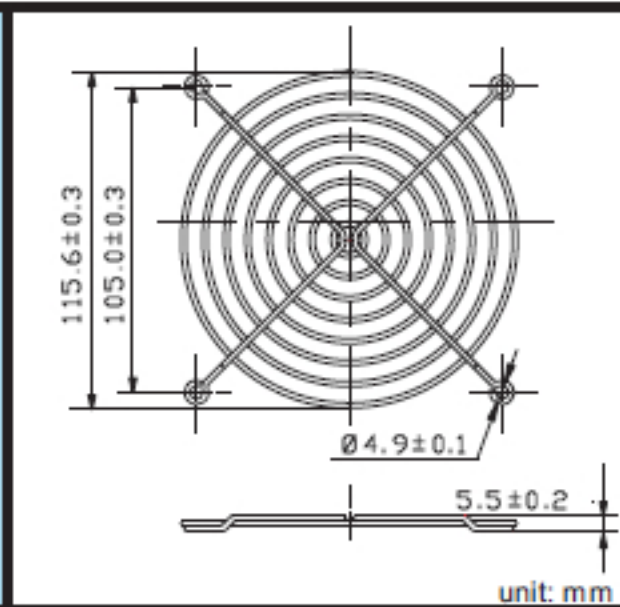
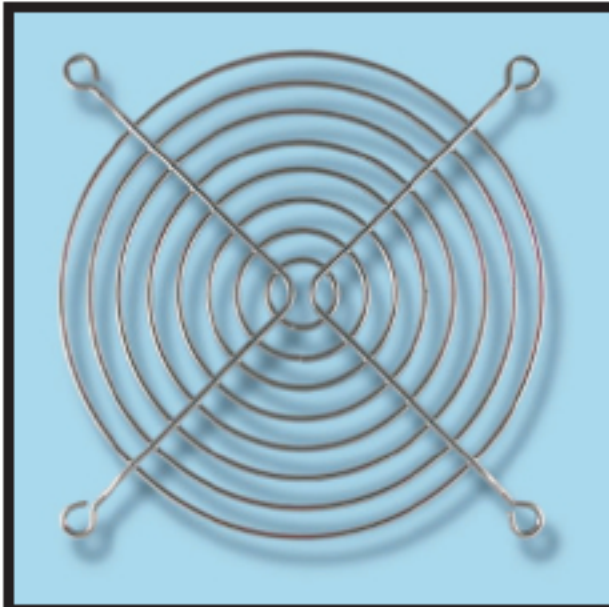
Fits for Fan Size :

92x92x25mm; 92x92x32mm
92x92x38mm

Notes :

- Materials: Bright basic wire.
- Finish: bright nickel chrome plating.
- (1) Rings are Ø 1.6mm.
- (2) Ribs are Ø 1.8mm.
- Weld joints to withstand 110 lbs pull force.
- Part meets Ø 6.35mm plug gauge test.

● **FGW-120A-1**



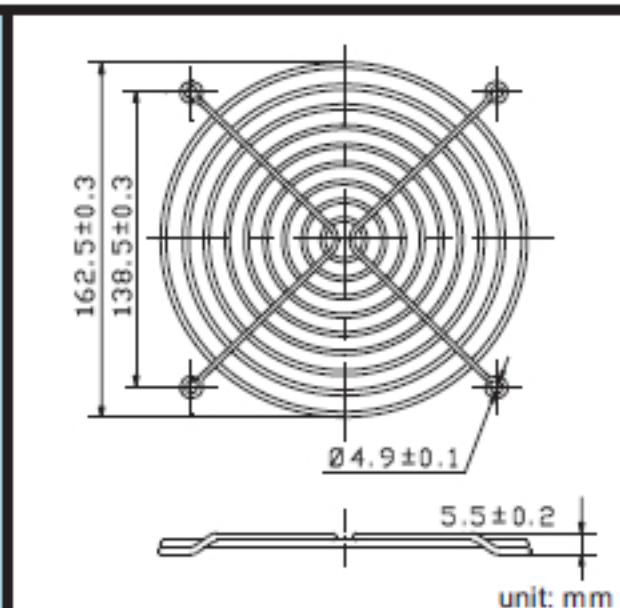
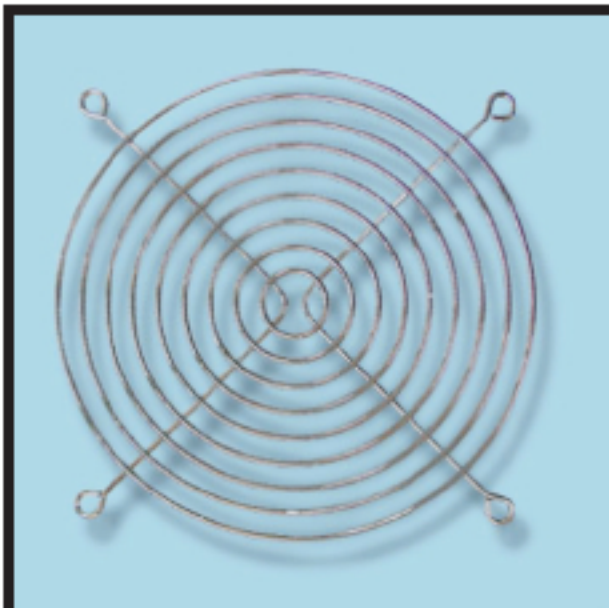
Fits for Fan Size :

120x120x25mm; 120x120x32mm
120x120x38mm

Notes :

- Materials: Bright basic wire.
- Finish: bright nickel chrome plating.
- (1) Rings are Ø 1.8mm.
- (2) Ribs are Ø 1.8mm.
- Weld joints to withstand 110 lbs pull force.
- Part meets Ø 6.35mm plug gauge test.

● **FGW-166A-1**



Fits for Fan Size :

160x160x62mm

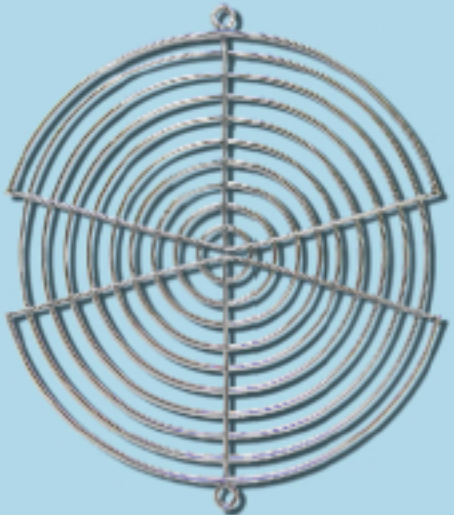
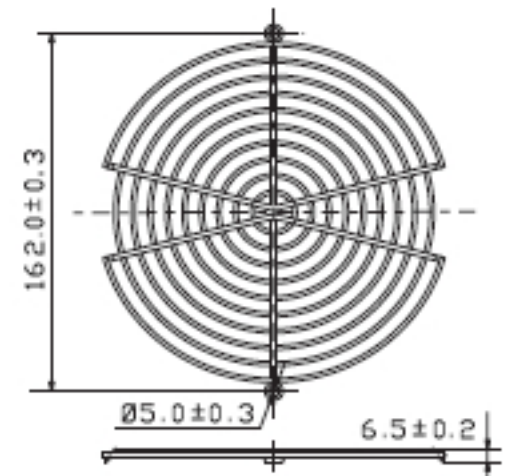
Notes :

- Materials: Bright basic wire.
- Finish: bright nickel chrome plating.
- (1) Rings are Ø 1.8mm.
- (2) Ribs are Ø 1.8mm.
- Weld joints to withstand 220 lbs pull force.
- Part meets Ø 6.35mm plug gauge test.

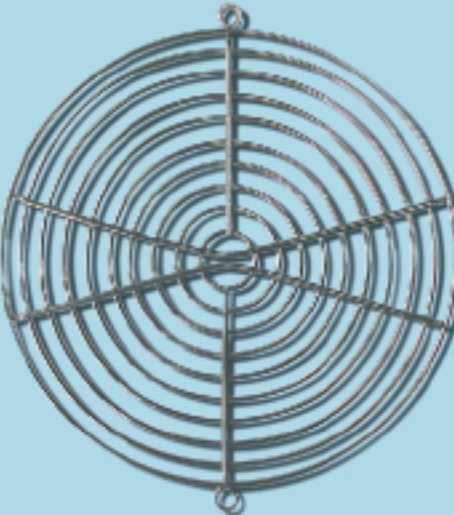
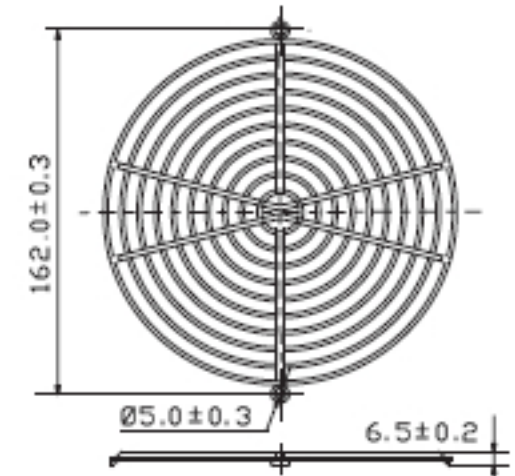
General Application :

The **FGW** Series Wire Form Fan Guards are designed for tubeaxial fans in 40mm; 50mm; 60mm; 70mm; 80mm; 92mm; 120mm; 172mm; 220mm; 254mm size and other custom design products.

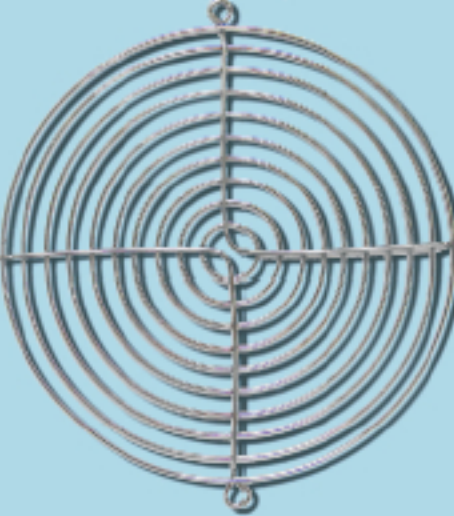
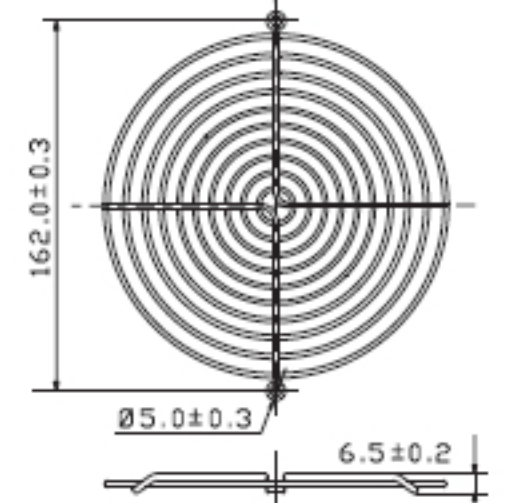
FGW-162A-1

	 <p style="text-align: right;">unit: mm</p>	<p>Fits for Fan Size :</p> <p>172x150x38mm; 172x150x51mm Ø 172x51mm; 172x151x55mm</p> <p>Notes :</p> <ul style="list-style-type: none"> • Materials: Bright basic wire. • Finish: bright nickel chrome plating. • (1) Rings are Ø 2.0mm. • (2) Ribs are Ø 2.2mm. • Weld joints to withstand 220 lbs pull force. • Part meets Ø 6.35mm plug gauge test.
--	--	---

FGW-162A-5

	 <p style="text-align: right;">unit: mm</p>	<p>Fits for Fan Size :</p> <p>172x150x38mm; 172x150x51mm Ø 172x51mm; 172x151x55mm</p> <p>Notes :</p> <ul style="list-style-type: none"> • Materials: Bright basic wire. • Finish: bright nickel chrome plating. • (1) Rings are Ø 2.0mm. • (2) Ribs are Ø 2.2mm. • Weld joints to withstand 220 lbs pull force. • Part meets Ø 6.35mm plug gauge test.
---	---	---

FGW-162B-1

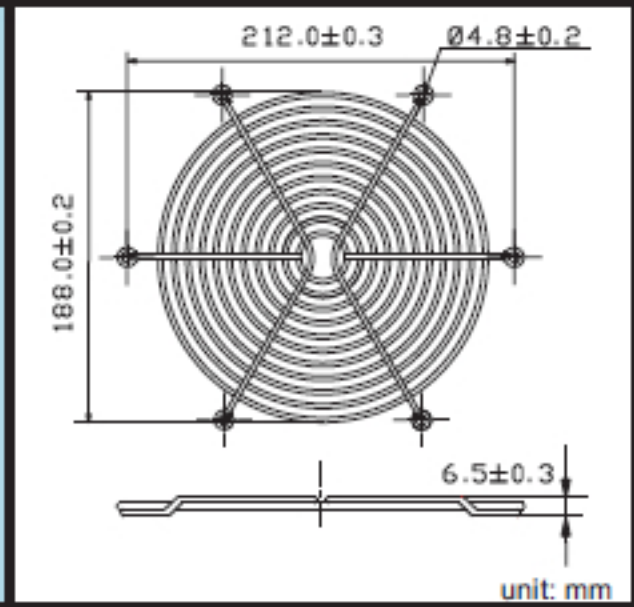
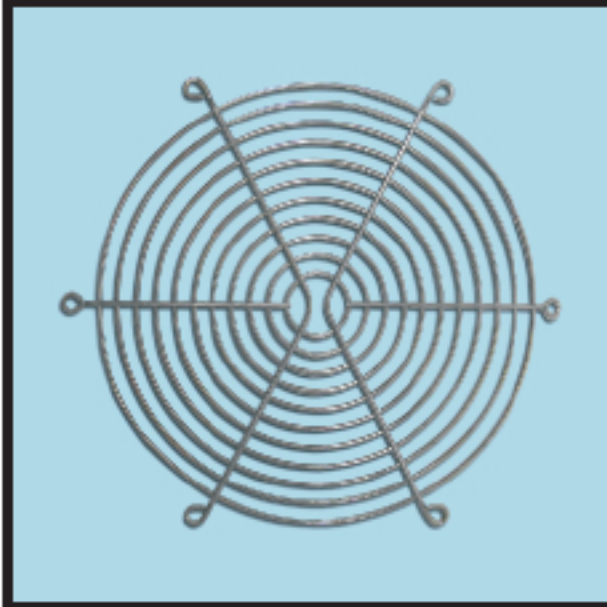
	 <p style="text-align: right;">unit: mm</p>	<p>Fits for Fan Size :</p> <p>172x150x38mm; 172x150x51mm Ø 172x51mm; 172x151x55mm</p> <p>Notes :</p> <ul style="list-style-type: none"> • Materials: Bright basic wire. • Finish: bright nickel chrome plating. • (1) Rings are Ø 1.8mm. • (2) Ribs are Ø 1.8mm. • Weld joints to withstand 220 lbs pull force. • Part meets Ø 6.35mm plug gauge test.
---	---	---

Fan Accessories
Wire Form Fan Guard

General Application:

The FGW Series Wire Form Fan Guards are designed for tubeaxial fans in 40mm; 50mm; 60mm; 70mm; 80mm; 92mm; 120mm; 172mm; 220mm; 254mm size and other custom design products.

● **FGW-220A-1**

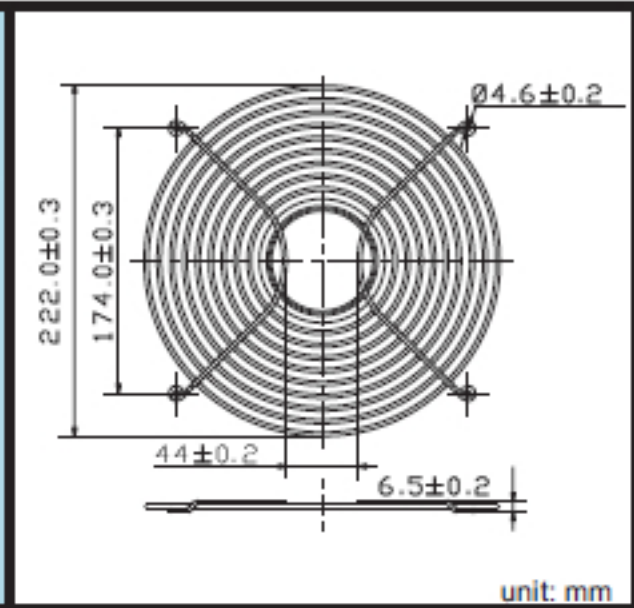
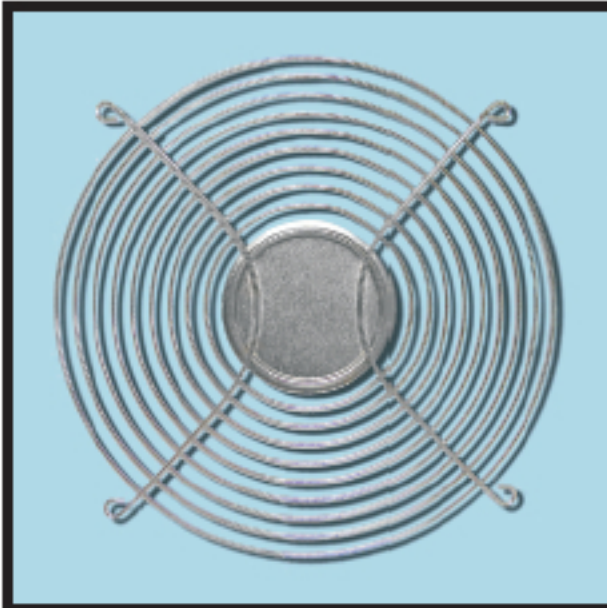


Fits for Fan Size :
 Ø 224x60mm

Notes :

- Materials: Bright basic wire.
- Finish: bright nickel chrome plating.
- (1) Rings are Ø 2.3mm.
- (2) Ribs are Ø 2.3mm.
- Weld joints to withstand 220 lbs pull force.
- Part meets Ø 6.35mm plug gauge test.

● **FGW-250A-1**

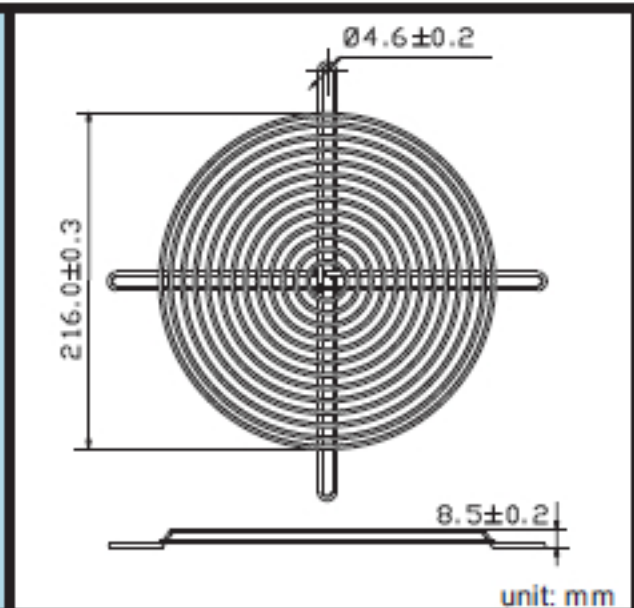
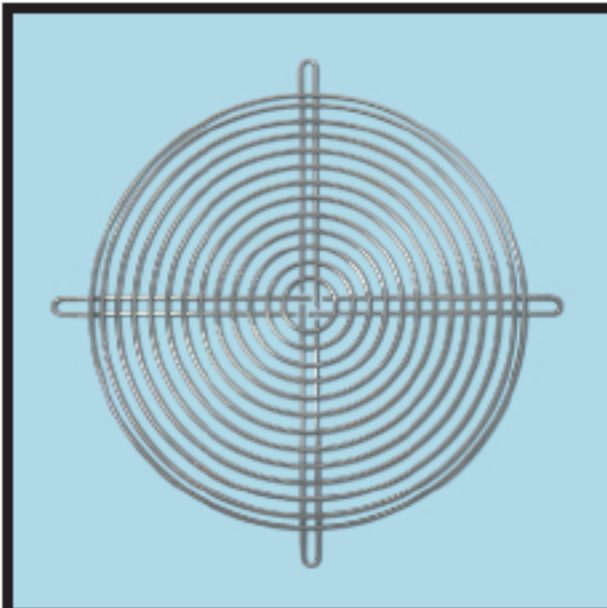


Fits for Fan Size :
 Ø 254x89mm

Notes :

- Materials: Bright basic wire.
- Finish: bright nickel chrome plating.
- (1) Rings are Ø 2.3mm.
- (2) Ribs are Ø 2.3mm.
- Weld joints to withstand 220 lbs pull force.
- Part meets Ø 6.35mm plug gauge test.

● **FGW-250B-1**



Fits for Fan Size :
 Ø 254x89mm

Notes :

- Materials: Bright basic wire.
- Finish: bright nickel chrome plating.
- (1) Rings are Ø 2.4mm.
- (2) Ribs are Ø 2.4mm.
- Weld joints to withstand 220 lbs pull force.
- Part meets Ø 6.35mm plug gauge test.