
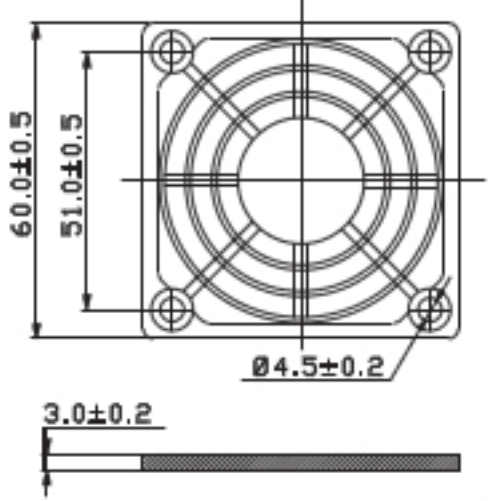



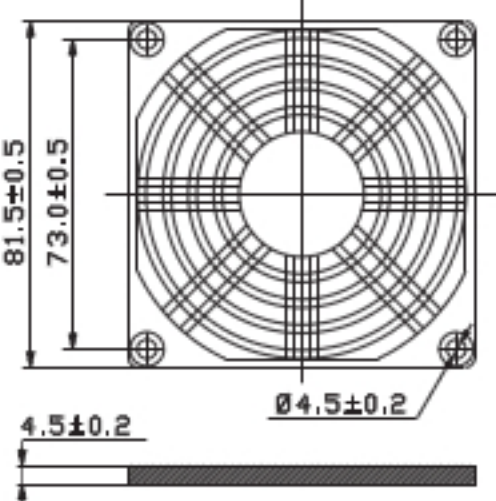
General Application:

The FGP Series Plastic Fan Guards are designed for tubeaxial fans in 60mm; 80mm; 92mm; 120mm; 172mm size and other custom design products.


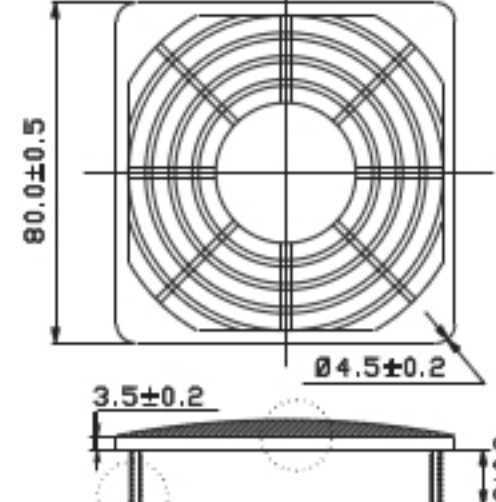
FGP-060A-1

	 <p style="text-align: right;">unit: mm</p>	<p>Fits for Fan Size :</p> <p>60x60x10mm ; 60x60x15mm 60x60x20mm ; 60x60x25mm 60x60x38mm</p> <p>Notes :</p> <ul style="list-style-type: none"> • Materials: PP RoHS, UL rated 94V-0. • Ring spacing comply with safety agency regulations. • Flat with Thru-hole style.
--	--	--

FGP-080A-1

	 <p style="text-align: right;">unit: mm</p>	<p>Fits for Fan Size :</p> <p>80x80x10mm ; 80x80x15mm 80x80x20mm ; 80x80x25mm 80x80x32mm ; 80x80x38mm</p> <p>Notes :</p> <ul style="list-style-type: none"> • Materials: PP RoHS, UL rated 94V-0. • Ring spacing comply with safety agency regulations. • Flat with Thru-hole style.
---	---	---


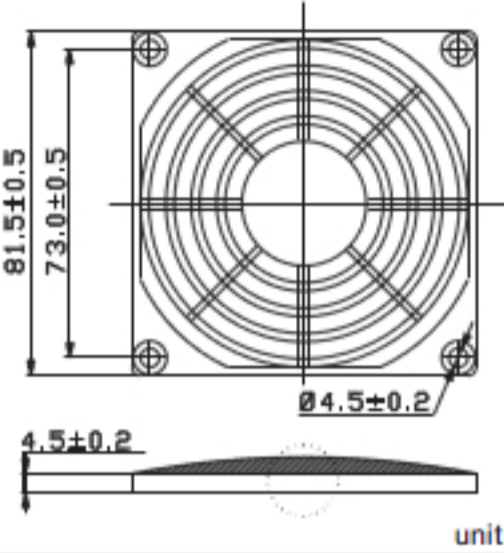
FGP-080B-1

	 <p style="text-align: right;">unit: mm</p>	<p>Fits for Fan Size :</p> <p>80x80x10mm ; 80x80x15mm 80x80x20mm ; 80x80x25mm 80x80x32mm ; 80x80x38mm</p> <p>Notes :</p> <ul style="list-style-type: none"> • Materials: PP RoHS, UL rated 94V-0. • Ring spacing comply with safety agency regulations. • Camber with Push-on style.
---	---	---


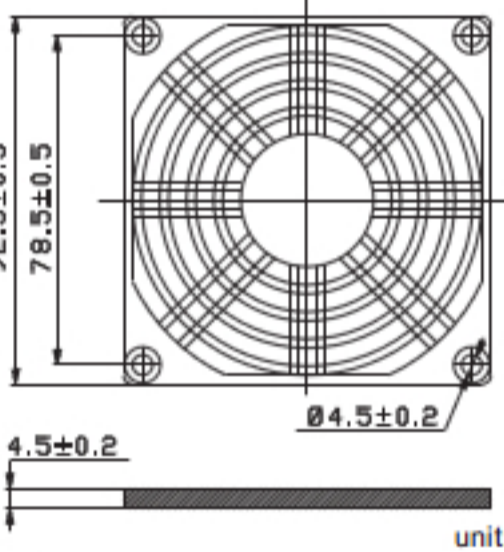
General Application:

The FGP Series Plastic Fan Guards are designed for tubeaxial fans In 60mm ; 80mm ; 92mm ; 120mm ; 172mm size and other custom design products.

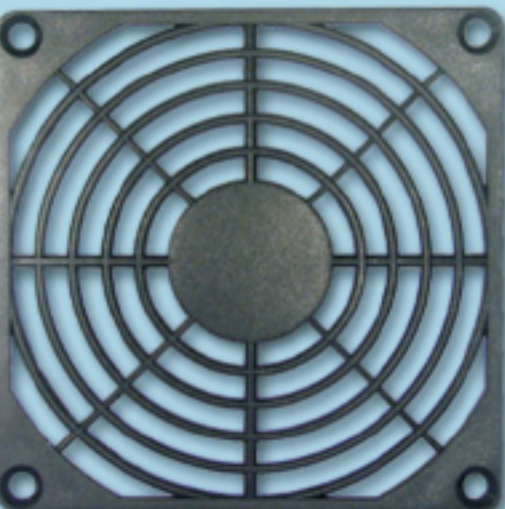
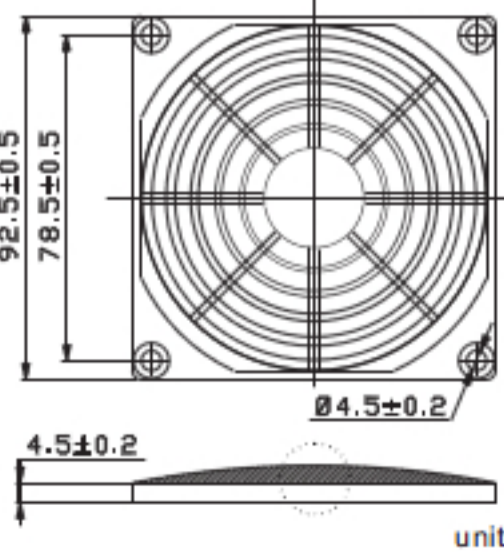
● **FGP-080C-1**

		<p>Fits for Fan Size:</p> <p>80x80x10mm; 80x80x15mm 80x80x20mm; 80x80x25mm 80x80x32mm; 80x80x38mm</p> <p>Notes:</p> <ul style="list-style-type: none"> • Materials: PP RoHS, UL rated 94V-0. • Ring spacing comply with safety agency regulations. • Camber with Thru-hole style.
---	---	--

● **FGP-090A-1**

		<p>Fits for Fan Size:</p> <p>92x92x25mm; 92x92x32mm 92x92x38mm</p> <p>Notes:</p> <ul style="list-style-type: none"> • Materials: PP RoHS, UL rated 94V-0. • Ring spacing comply with safety agency regulations. • Flat with Thru-hole style.
--	--	--

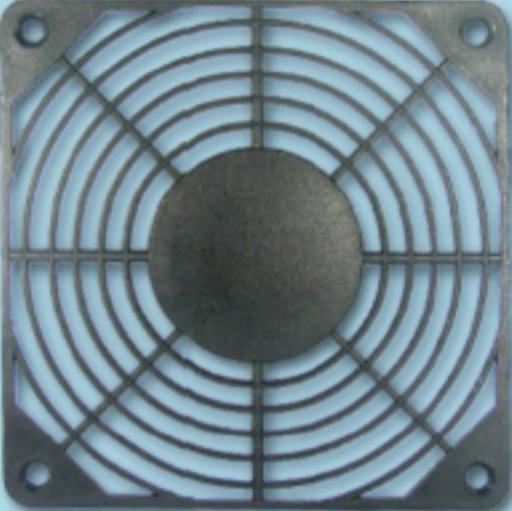
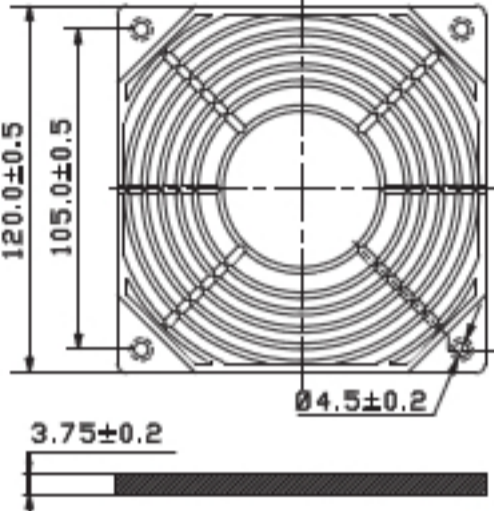
● **FGP-090C-1**

		<p>Fits for Fan Size:</p> <p>92x92x25mm; 92x92x32mm 92x92x38mm</p> <p>Notes:</p> <ul style="list-style-type: none"> • Materials: PP RoHS, UL rated 94V-0. • Ring spacing comply with safety agency regulations. • Camber with Thru-hole style.
--	--	--

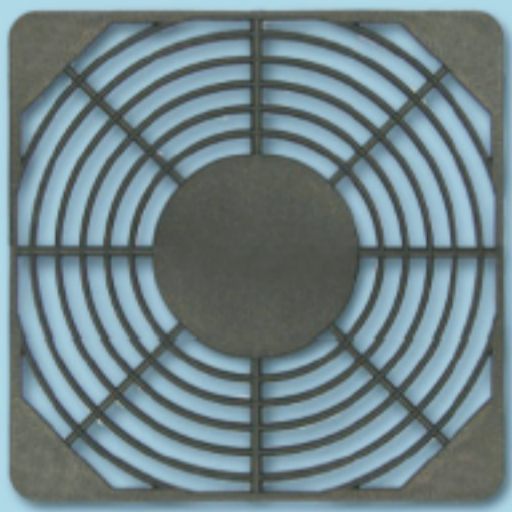
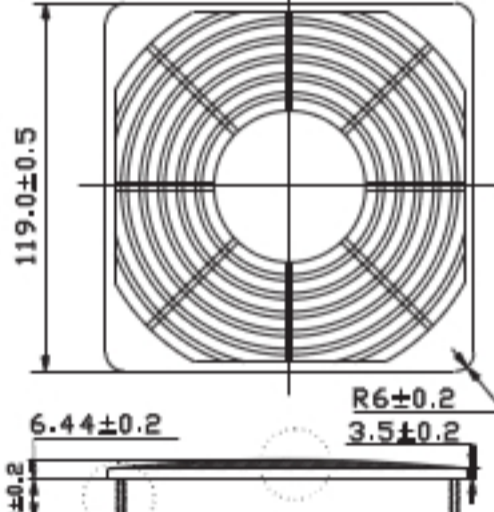
General Application :

The FGP Series Plastic Fan Guards are designed for tubeaxial fans in 60mm; 80mm; 92mm; 120mm; 172mm size and other custom design products.


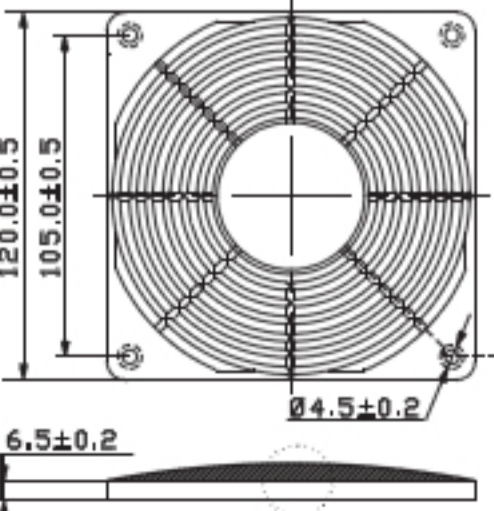
FGP-120A-2

	 <p style="text-align: right;">unit: mm</p>	<p>Fits for Fan Size :</p> <p>120x120x25mm ; 120x120x32mm 120x120x38mm</p> <p>Notes :</p> <ul style="list-style-type: none"> • Materials: PP RoHS, UL rated 94V-0. • Ring spacing comply with safety agency regulations. • Flat with Thru-hole style.
--	--	--

FGP-120B-1

	 <p style="text-align: right;">unit: mm</p>	<p>Fits for Fan Size :</p> <p>120x120x25mm ; 120x120x32mm 120x120x38mm</p> <p>Notes :</p> <ul style="list-style-type: none"> • Materials: PP RoHS, UL rated 94V-0. • Ring spacing comply with safety agency regulations. • Camber with Push-on style.
---	---	--

FGP-120C-1

	 <p style="text-align: right;">unit: mm</p>	<p>Fits for Fan Size :</p> <p>120x120x25mm ; 120x120x32mm 120x120x38mm</p> <p>Notes :</p> <ul style="list-style-type: none"> • Materials: PP RoHS, UL rated 94V-0. • Ring spacing comply with safety agency regulations. • Camber with Thru-hole style.
---	---	--

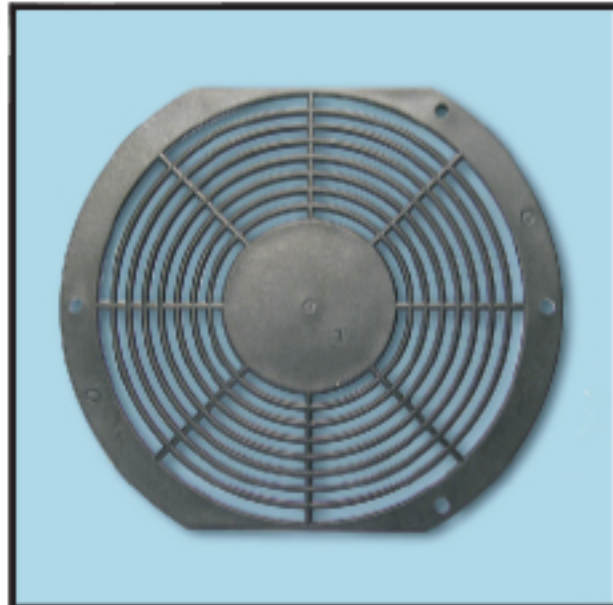
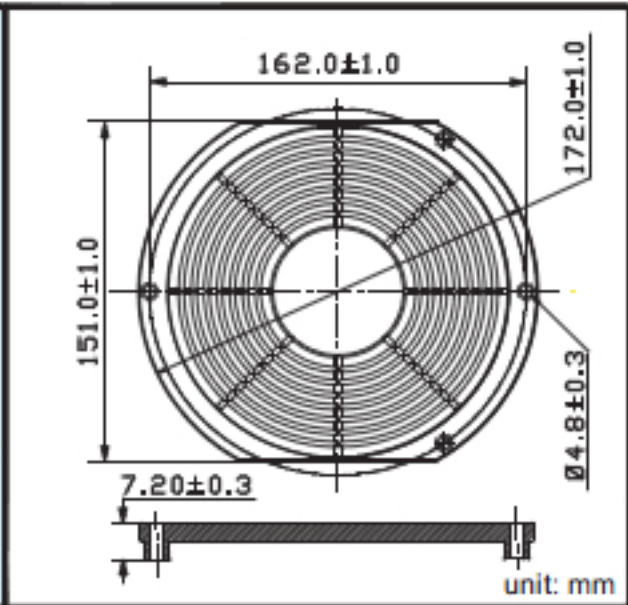
Fan Accessories

Plastic Fan Guard

General Application:

The **FGP Series** Plastic Fan Guards are designed for tubeaxial fans in 60mm; 80mm; 92mm; 120mm; 172mm size and other custom design products.

● **FGP-162A-1**

		<p>Fits for Fan Size: 172x150x38mm; 172x150x51mm</p> <p>Notes :</p> <ul style="list-style-type: none">• Materials: PP RoHS, UL rated 94V-0.• Ring spacing comply with safety agency regulations.• Flat with Thru-hole style.
---	---	--