

Handle series FG4-E

Handles with electrical switching functions by keypad.

Material and surface:

Handle shanks of polyamide PA 6, glass ball reinforced, black, similar to RAL 9005, half-matt with fine structure. Connecting tube of profiled aluminium AlMgSi 0.5; glass ball blasted, natural coloured anodized.

Versions:

Keypad with 2 resp. 4 free optional push buttons. Both buttons on top are additionally fitted with LEDs. Button labelling as standard with F1 to F4 or individually on customers request.

Connection:

12-pole, coupling with 10 m ready made cable as accessories available.

Protection class:

The protection class conforms to IP 65 with the coupling attached.

Note:

Other handle lengths on request. Handle versions without switch function see page 33.

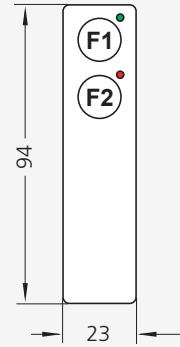


product
design
award

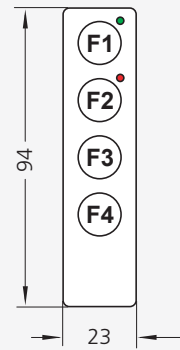
2006 ■



FG4-E2



FG4-E4



Version keypad

with 2 buttons

with 4 buttons

FG4-E2

FG4-E4

A*

L

Order no.

Order no.

350

410

FG4-E2.350.11

FG4-E4.350.11

* Other handle lengths on request

Handle accessories

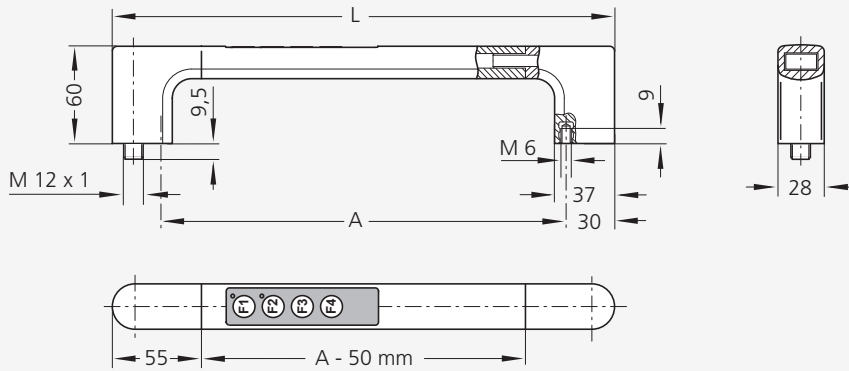
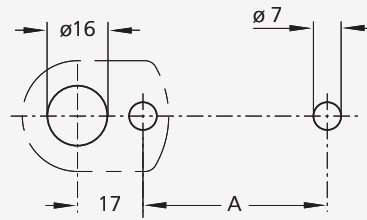


10 m cable welded to coupling

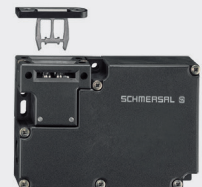
Order no.

12-pole (M12 x 1)

FZ-KS.W12.10


Mounting cutout

Technical data

Typ	FG4-E2	FG4-E4
Button F1		GY/PK(11) BU(2) LED green GY(8) BN(1)
Button F2		VT(10) GN(4) LED red GY(8) WH(3)
Button F3	without	YE(6) PK(5)
Button F4	without	RD(9) BK(7)
Switching voltage	min. 100 mV AC/DC max. 25 V AC / 42 V DC	
Switching current	max. 100 mA	
Switching power	max. 0,6 W	
Operating voltage LED	24 V DC (12 V DC optional)	
Connection type	12-pole, M12 x 1	
Connector assignment (Plug side view)		



Door solenoid tumbler see page 304–305.

