



Handle Series FG15

Material and surface:

Handle shanks and handle ledge made of stainless steel 1.4305. Surface vibration ground, blasted and electro-polished with a semi-gloss finish. Push button made of stainless steel.

Type A:

With curved handle ledge and one shank.

Type B:

With straight handle ledge and 2 shanks.

Function elements:

One push button, as a change-over contact.

Connection:

5 m connection cable leading out of the screw-on surface of the handle shank.

Protection class:

IP 65.

Note:

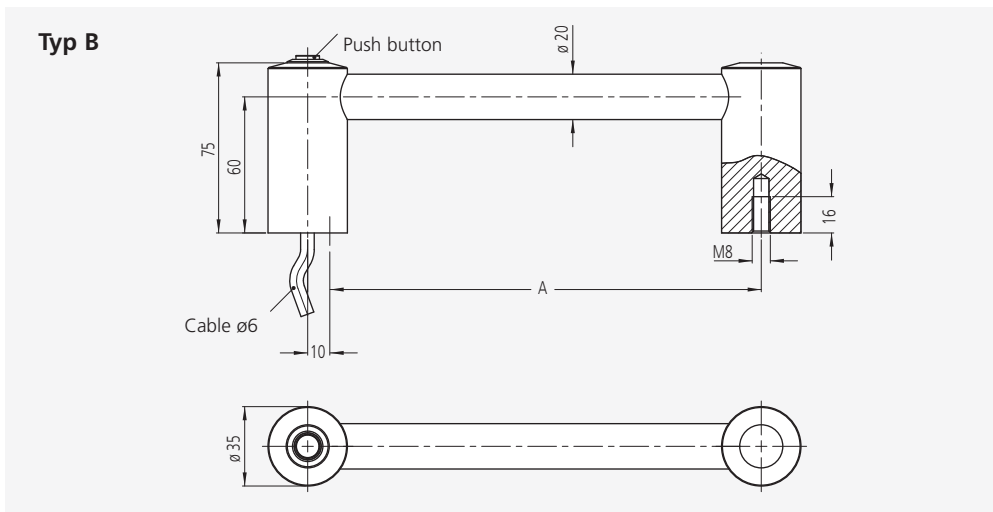
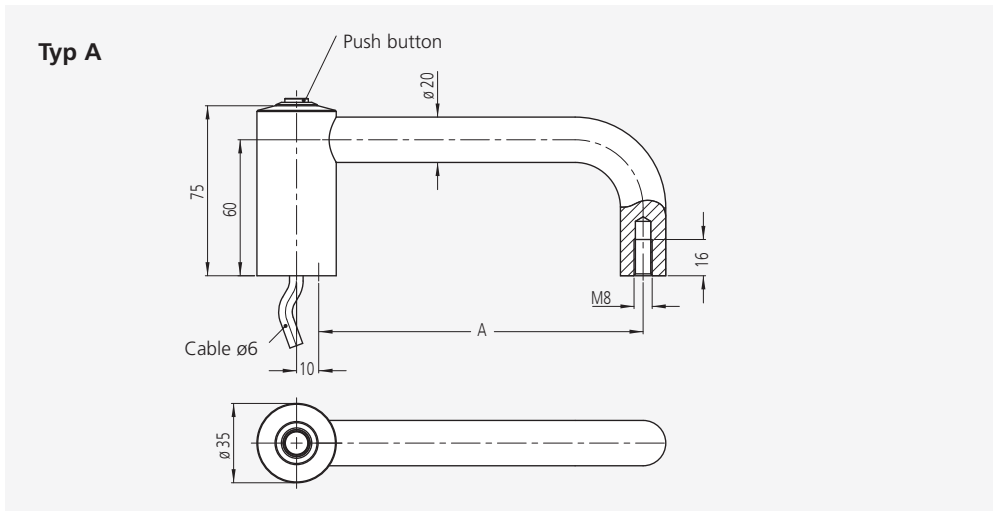
Other handle lengths and push button assignments possible. Opposite handle without electrical function by request.

Connection

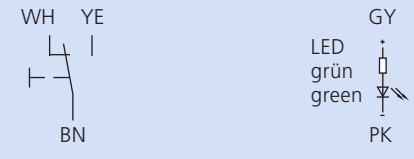
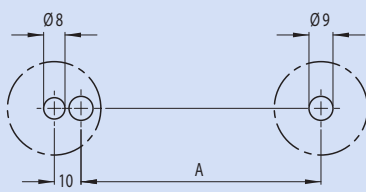


	Typ A	Typ B
	Ledge curved	Ledge straight
A*	Order no.	Order no.
150	FG15-A01.150.36	-
180	-	FG15-B01.180.36

* Other handle lengths on request



Technical data

Push button (change-over contact)	
Push button	24 V AC/DC max. 1 A
Operating voltage LED	24 V DC (12 V DC optional)
Connection type	cable 8-pole
Mounting cutout	

All dimensions in mm.

