
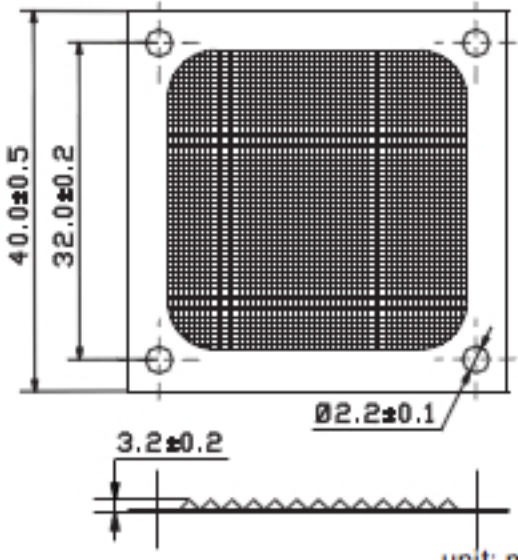


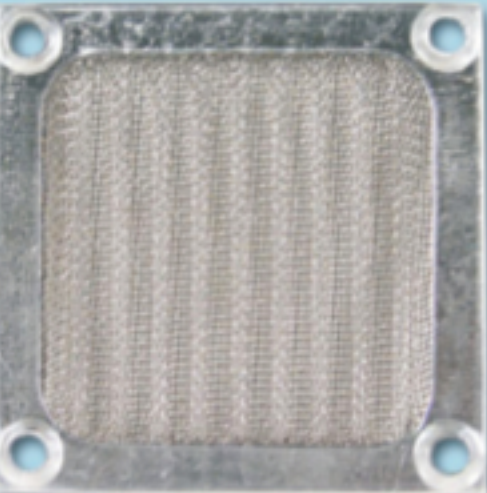
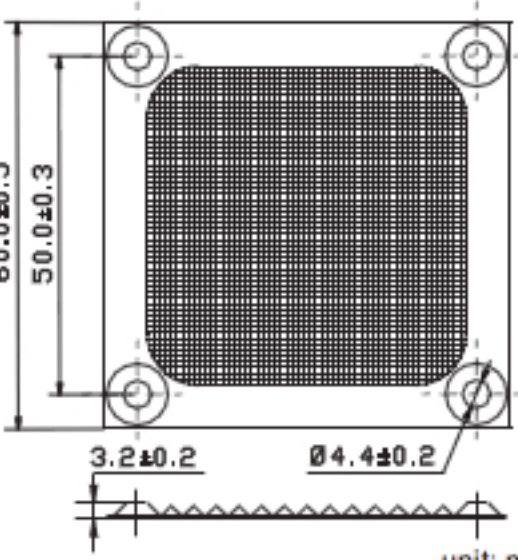
**General Application :**

- The FFA Series Aluminum Fan Filters are designed for tubeaxial fan in 40mm, 60mm, 80mm, 92mm, 120mm, 172mm size.
- These tested and proven filters provide maximum air - flow with effective filtering and feature a mill finish to enhance EMI/RFI shielding.

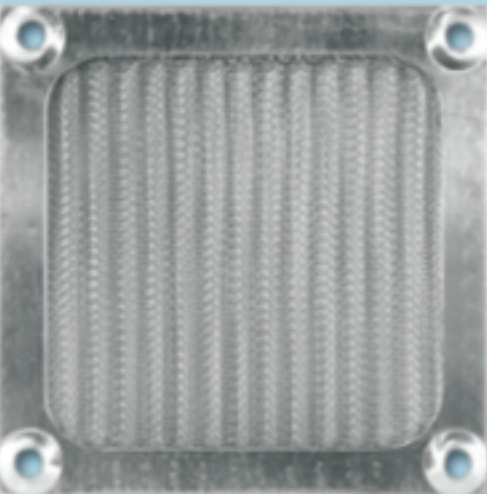
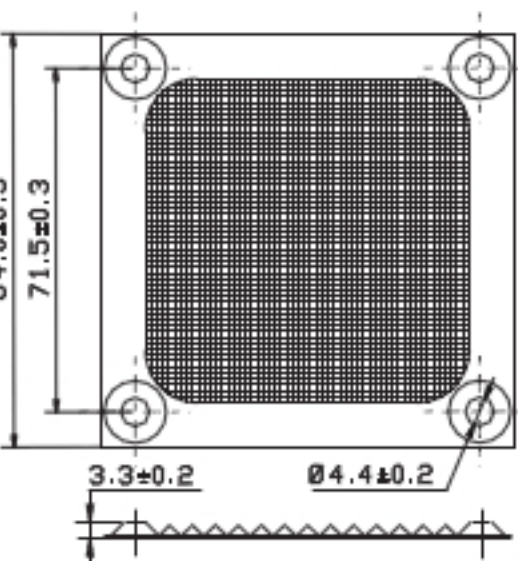
● **FFA-040A-1**

		<p><b>Fits for Fan Size :</b></p> <p>40x40x07mm ; 40x40x10mm          40x40x15mm ; 40x40x20mm          40x40x28mm</p> <p><b>Materials :</b></p> <ul style="list-style-type: none"> <li>• Frame: Aluminum with 1.6mm thickness.</li> <li>• Mesh: 30*30 mesh convoluted approx 1/8" deep with approx. 3/16" pitch.</li> <li>• General tolerance: unless noted ± 0.5mm.</li> </ul>
--	---	---

● **FFA-060A-1**

		<p><b>Fits for Fan Size :</b></p> <p>60x60x10mm ; 60x60x15mm          60x60x20mm ; 60x60x25mm          60x60x38mm</p> <p><b>Materials :</b></p> <ul style="list-style-type: none"> <li>• Frame: Aluminum with 1.6mm thickness.</li> <li>• Mesh: 30*30 mesh convoluted approx 1/8" deep with approx. 3/16" pitch.</li> <li>• General tolerance: unless noted ± 0.5mm.</li> </ul>
---	--	---

● **FFA-080A-1**

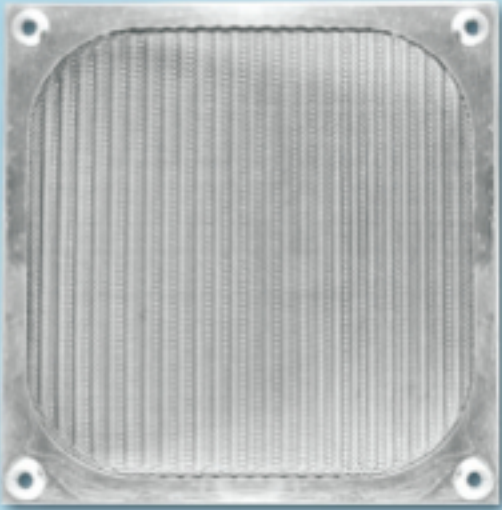
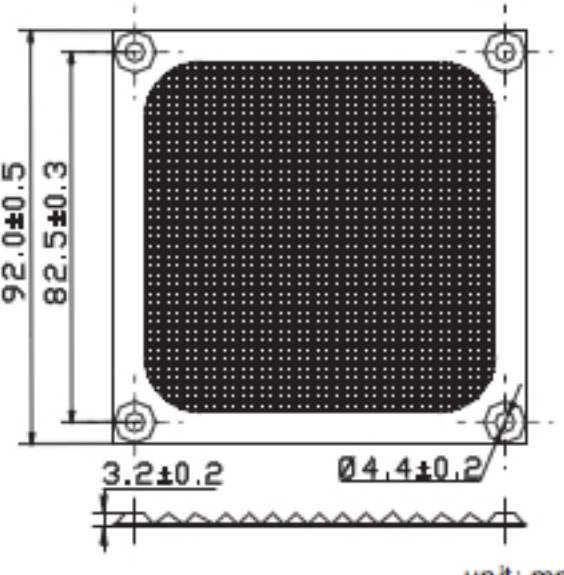
		<p><b>Fits for Fan Size :</b></p> <p>80x80x10mm ; 80x80x15mm          80x80x20mm ; 80x80x25mm          80x80x32mm ; 80x80x38mm</p> <p><b>Materials :</b></p> <ul style="list-style-type: none"> <li>• Frame: Aluminum with 1.6mm thickness.</li> <li>• Mesh: 30*30 mesh convoluted approx 1/8" deep with approx. 3/16" pitch.</li> <li>• General tolerance: unless noted ± 0.5mm.</li> </ul>
---	--	--



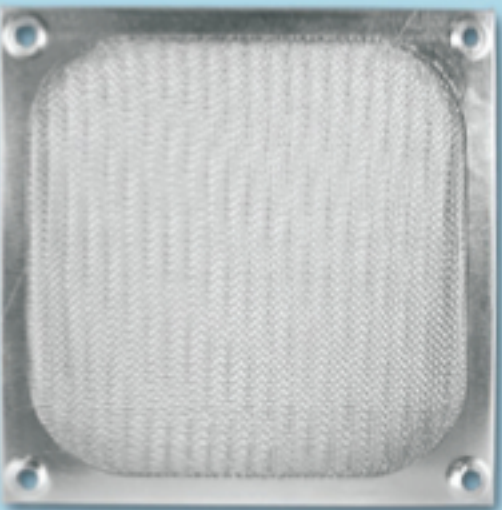
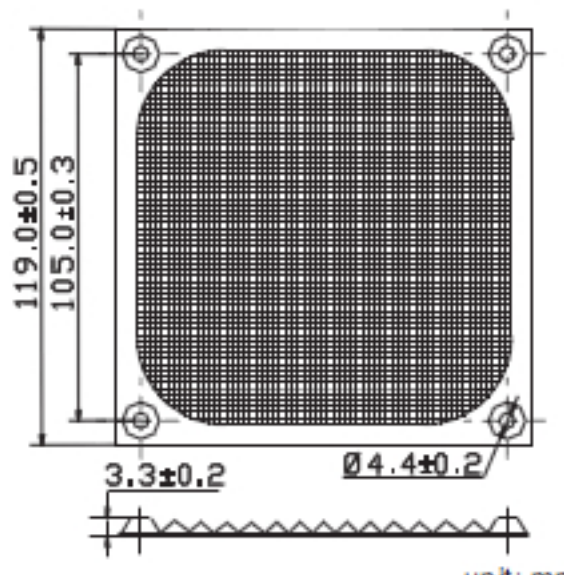
**General Application :**

- The FFA Series Aluminum Fan Filters are designed for tubeaxial fan in 40mm, 60mm, 80mm, 92mm, 120mm, 172mm size.
- These tested and proven filters provide maximum air - flow with effective filtering and feature a mill finish to enhance EMI/RFI shielding.

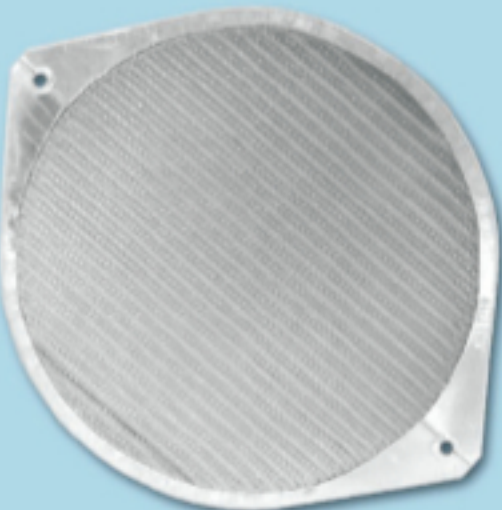
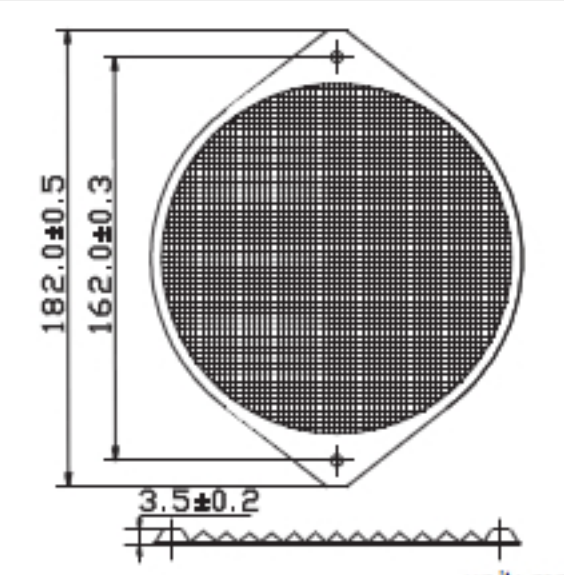
**FFA-090A-1**

	 <p style="text-align: right;">unit: mm</p>	<p><b>Fits for Fan Size :</b></p> <p>92x92x25mm ; 92x92x32mm 92x92x38mm</p> <p><b>Materials:</b></p> <ul style="list-style-type: none"> <li>• Frame: Aluminum with 1.6mm thickness.</li> <li>• Mesh: 30*30 mesh convoluted approx 1/8" deep with approx. 3/16" pitch.</li> <li>• General tolerance: unless noted ± 0.5mm.</li> </ul>
--	--	--

**FFA-120A-1**

	 <p style="text-align: right;">unit: mm</p>	<p><b>Fits for Fan Size :</b></p> <p>120x120x25mm ; 120x120x32mm 120x120x38mm</p> <p><b>Materials:</b></p> <ul style="list-style-type: none"> <li>• Frame: Aluminum with 1.6mm thickness.</li> <li>• Mesh: 30*30 mesh convoluted approx 1/8" deep with approx. 3/16" pitch.</li> <li>• General tolerance: unless noted ± 0.5mm.</li> </ul>
---	---	--

**FFA-162A-1**

	 <p style="text-align: right;">unit: mm</p>	<p><b>Fits for Fan Size :</b></p> <p>172x150x38mm 172x150x55mm</p> <p><b>Materials:</b></p> <ul style="list-style-type: none"> <li>• Frame: Aluminum with 1.6mm thickness.</li> <li>• Mesh: 30*30 mesh convoluted approx 1/8" deep with approx. 3/16" pitch.</li> <li>• General tolerance: unless noted ± 0.5mm.</li> </ul>
---	---	---