

AC-DC AXIAL FAN 120x120x38mm (EC Fan)



Housing/Blade: Thermoplastic PBT, UL 94V-0
 Insulation Resistance: 10MΩ, 500VDC/min between bare wire and frame
 Dielectric Strength: 5mA max. 500VAC/min between bare wire and frame
 Operation Temperature: -10°C~70°C(Humidity 35%-85%RH)
 Storage Temperature: -40°C~85°C(Humidity 35%-85%RH)
 Lead Wire: UL Type #26 AWG
 Weight: 270 g



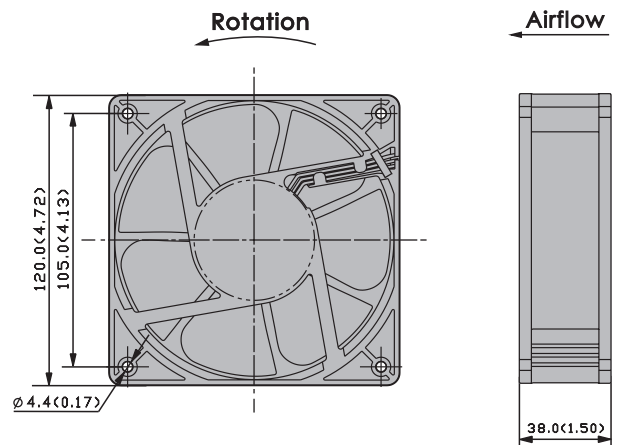
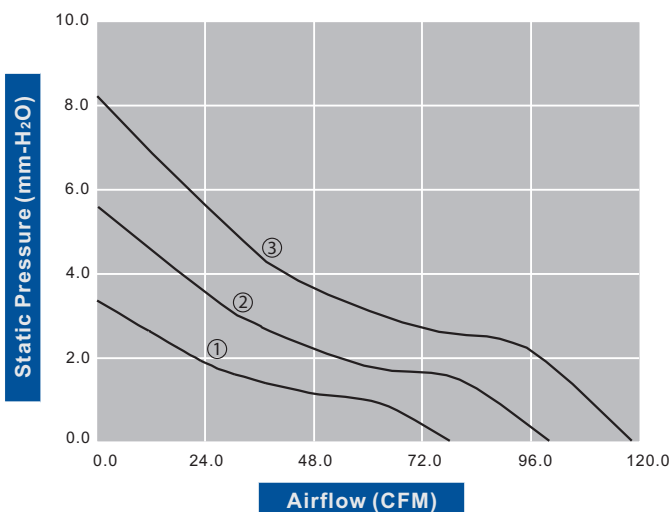
SS

- Energy Efficiency EC Fan
- Electronically Commutated(EC) Motor Technology

Model Number	Voltage (VAC)	Frequency (Hz)	Oper. Volt. (VAC)	AirFlow (CFM)	Stat.Pres. (mm-H ₂ O)	Noise (dBA)	Speed (RPM)	Current (mA)	Power (W)	Available Bearing	Curves
FDA1238B11W3-61	115	60	70~132	78.6	3.3	33.5	2,000	50	2.5	B	①
FDA1238B11W5-61	115	60	70~132	100.7	5.7	39.4	2,500	70	4.0	B	②
FDA1238B11W7-61	115	60	70~132	118.0	8.1	44.3	3,000	90	6.0	B	③
FDA1238B22W3-61	230	50	140~264	78.6	3.3	33.5	2,000	30	2.5	B	①
FDA1238B22W5-61	230	50	140~264	100.7	5.7	39.4	2,500	40	4.0	B	②
FDA1238B22W7-61	230	50	140~264	118.0	8.1	44.3	3,000	50	6.0	B	③
FDA1238BDLW5-61	++ 115/230	50/60	85~264	78.6	3.3	33.5	2,000	50	4.0	B	①
FDA1238BDLW5-61	++ 115/230	50/60	85~264	100.7	5.7	39.4	2,500	70	6.0	B	②
FDA1238BDLW5-61	++ 115/230	50/60	85~264	118.0	8.1	44.3	3,000	90	8.0	B	③

● Dual voltage models marked with “++”.

Specifications are subject to change without notice



unit: mm(inch)

