

# DC AXIAL FAN 92x92x38mm (Stator Outlet Blade)



Housing/Blade: Thermoplastic PBT, UL 94V-0  
 Insulation Resistance: 10MΩ, 500VDC/min between bare wire and frame  
 Dielectric Strength: 5mA max, 500VAC/min between bare wire and frame  
 Operation Temperature: -20°C~70°C(Humidity 15%-90%RH)  
 Storage Temperature: -40°C~85°C(Humidity 15%-90%RH)  
 Lead Wire: UL Type #24 AWG  
 Weight: 173 g



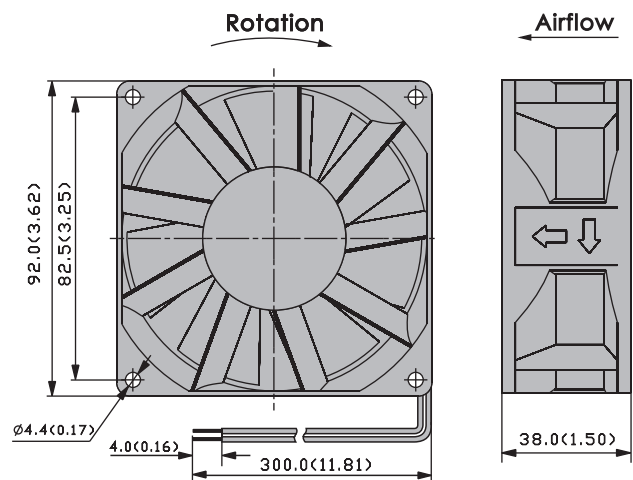
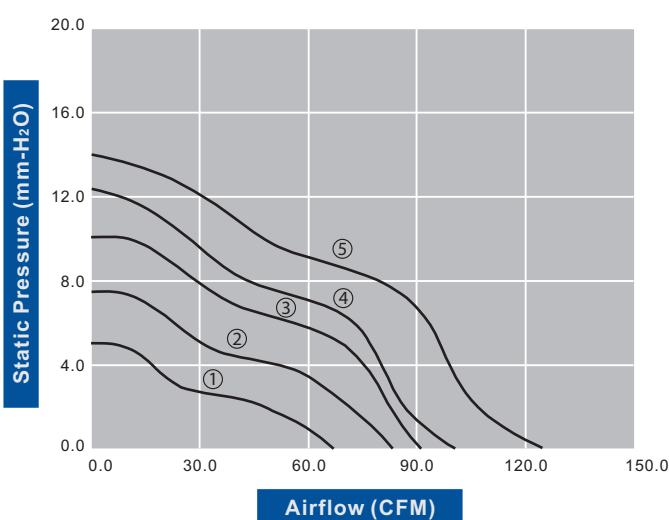
ES IP SF

- High Airflow
- High Static Pressure

Model Number		Voltage (VDC)	Op.Voltage (VDC)	AirFlow (CFM)	StaticPres. (mm-H <sub>2</sub> O)	Noise (dBA)	Speed (RPM)	Current (mA)	Power (W)	Available Bearing	Additional Function (See Page 3)	Curves
FD9238B12W3-81	★	12	8.0~13.8	67.50	5.00	39.30	2,600	190	2.28	B	P,M,U,X,Y	①
FD9238B12W5-81	★	12	8.0~13.8	80.50	7.20	44.90	3,200	300	3.60	B	P,M,U,X,Y	②
FD9238B12W7-81	★	12	8.0~13.8	90.10	9.90	49.20	3,800	490	5.88	B	P,M,U,X,Y	③
FD9238B12W9-81	★	12	8.0~13.8	108.60	12.60	53.50	4,400	610	7.32	B	P,M,U,X	④
FD9238B12W11-81	★	12	8.0~13.8	127.20	14.60	57.00	5,000	890	10.68	B	P,M,U,X	⑤
FD9238B24W3-81	★	24	18.0~27.6	67.50	5.00	39.30	2,600	120	2.88	B	P,M,U,X	①
FD9238B24W5-81	★	24	18.0~27.6	80.50	7.20	44.90	3,200	200	4.80	B	P,M,U,X	②
FD9238B24W7-81	★	24	18.0~27.6	90.10	9.90	49.20	3,800	270	6.48	B	P,M,U,X	③
FD9238B24W9-81	★	24	18.0~27.6	108.60	12.60	53.50	4,400	310	7.44	B	P,M,U,X	④
FD9238B24W11-81	★	24	18.0~27.6	127.20	14.60	57.00	5,000	480	11.52	B	P,M,U,X	⑤
FD9238B48W3-81	★	48	38.0~52.8	67.50	5.00	39.30	2,600	60	2.88	B	P,M,U,X	①
FD9238B48W5-81	★	48	38.0~52.8	80.50	7.20	44.90	3,200	90	4.32	B	P,M,U,X	②
FD9238B48W7-81	★	48	38.0~52.8	90.10	9.90	49.20	3,800	150	7.20	B	P,M,U,X	③
FD9238B48W9-81	★	48	38.0~52.8	108.60	12.60	53.50	4,400	290	13.92	B	P,M,U,X	④

● If model depicts "★", auto restart protection function built in.

Specifications are subject to change without notice



unit: mm(inch)