

DC AXIAL FAN 92x92x25mm



Housing/Blade: Thermoplastic PBT, UL 94V-0
 Insulation Resistance: 10M Ω , 500VDC/min between bare wire and frame
 Dielectric Strength: 5mA max, 500VAC/min between bare wire and frame
 Operation Temperature: -20°C~70°C(Humidity 15%-90%RH)
 Storage Temperature: -40°C~85°C(Humidity 15%-90%RH)
 Lead Wire: UL Type #24 AWG
 Weight: 99 g



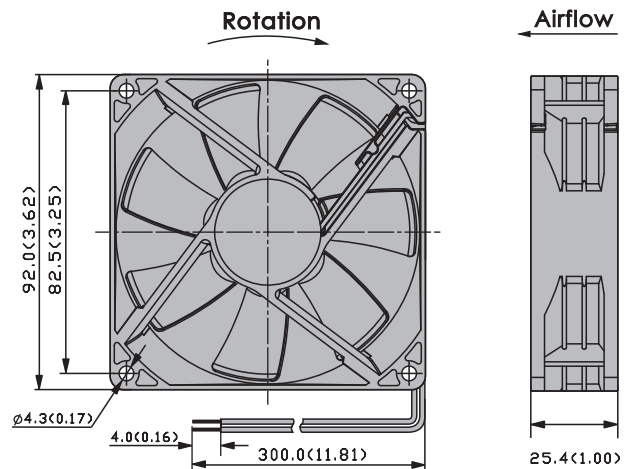
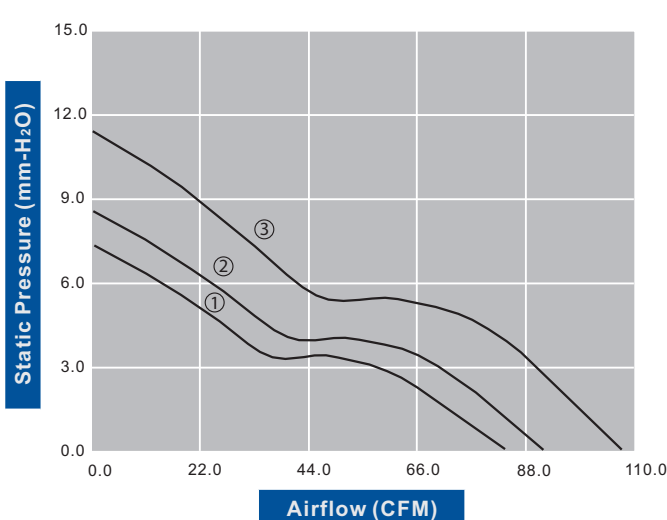
ES IP SF

- High Airflow
- High Static Pressure

Model Number		Voltage (VDC)	Op.Voltage (VDC)	AirFlow (CFM)	StaticPres. (mm-H ₂ O)	Noise (dBA)	Speed (RPM)	Current (mA)	Power (W)	Available Bearing	Additional Function (See Page 3)	Curves
FD9225B12W3-85	★	12	6.0~13.8	83.70	7.00	42.80	3,500	280	3.36	B	P,M,U,X,Y	①
FD9225B12W5-85	★	12	6.0~13.8	91.20	8.70	46.80	4,000	390	4.68	B	P,M,U,X,Y	②
FD9225B12W7-85	★	12	6.0~13.8	108.30	11.60	50.20	4,600	610	7.32	B	P,M,U,X,Y	③
FD9225B24W3-85	★	24	16.0~27.6	83.70	7.00	42.80	3,500	150	3.60	B	P,M,U,X,Y	①
FD9225B24W5-85	★	24	16.0~27.6	91.20	8.70	46.80	4,000	200	4.80	B	P,M,U,X,Y	②
FD9225B24W7-85	★	24	16.0~27.6	108.30	11.60	50.20	4,600	290	6.96	B	P,M,U,X,Y	③
FD9225B48W3-85	★	48	30.0~55.2	83.70	7.00	42.80	3,500	90	4.32	B	P,M,U,X,Y	①
FD9225B48W5-85	★	48	30.0~55.2	91.20	8.70	46.80	4,000	120	5.76	B	P,M,U,X,Y	②
FD9225B48W7-85	★	48	30.0~55.2	108.30	11.60	50.20	4,600	180	8.64	B	P,M,U,X,Y	③

● If model depicts "★", auto restart protection function built in.

Specifications are subject to change without notice



unit: mm(inch)