

DC AXIAL FAN 92x92x25mm



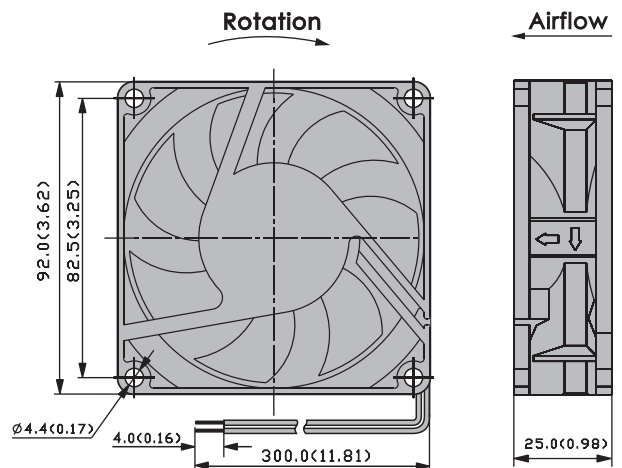
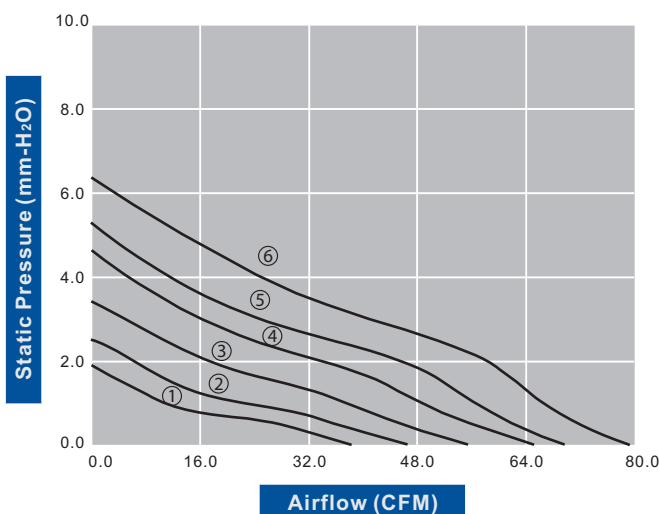
Housing/Blade: Thermoplastic PBT, UL 94V-0
 Insulation Resistance: 10M Ω , 500VDC/min between bare wire and frame
 Dielectric Strength: 5mA max, 500VAC/min between bare wire and frame
 Operation Temperature: -20°C~70°C(Humidity 15%-90%RH)
 Storage Temperature: -40°C~85°C(Humidity 15%-90%RH)
 Lead Wire: UL Type #24 AWG
 Weight: 92 g



DC Axial Fans

Model Number		Voltage (VDC)	Op. Voltage (VDC)	Air Flow (CFM)	Static Pres. (mm-H ₂ O)	Noise (dBA)	Speed (RPM)	Current (mA)	Power (W)	Available Bearing	Additional Function (See Page 3)	Curves
FD9225B05W4-81	★ ※	5	4.0~5.5	38.40	1.90	25.60	2,000	180	0.90	B,L,S	P,M,U,X	①
FD9225B05W5-81	★ ※	5	4.0~5.5	46.00	2.50	30.40	2,400	340	1.70	B,L,S	P,M,U,X	②
FD9225B05W7-81	★ ※	5	4.0~5.5	54.90	3.40	33.70	2,800	420	2.10	B,L,S	P,M,U,X	③
FD9225B12W4-81	★	12	8.0~13.8	38.40	1.90	25.60	2,000	110	1.32	B,L,S	P,M,U,X,Y	①
FD9225B12W5-81	★	12	8.0~13.8	46.00	2.50	30.40	2,400	170	2.04	B,L,S	P,M,U,X,Y	②
FD9225B12W7-81	★	12	8.0~13.8	54.90	3.40	33.70	2,800	200	2.40	B,L,S	P,M,U,X	③
FD9225B12W9-81	★	12	8.0~13.8	65.30	4.60	37.00	3,200	420	5.04	B,L,S	P,M,U,X	④
FD9225B12W11-81	★	12	8.0~13.8	69.80	5.50	41.20	3,600	580	6.96	B	P,M,U,X	⑤
FD9225B12W12-81	★	12	8.0~13.8	79.00	6.30	43.70	4,000	690	8.28	B	P,M,U,X	⑥
FD9225B24W4-81		24	12.0~27.6	38.40	1.90	25.60	2,000	80	1.92	B,L,S	P,M,U,X,Y	①
FD9225B24W5-81		24	12.0~27.6	46.00	2.50	30.40	2,400	90	2.16	B,L,S	P,M,U,X,Y	②
FD9225B24W7-81	★	24	12.0~27.6	54.90	3.40	33.70	2,800	160	3.84	B,L,S	P,M,U,X	③
FD9225B24W9-81	★	24	12.0~27.6	65.30	4.60	37.00	3,200	180	4.32	B,L,S	P,M,U,X	④
FD9225B24W11-81	★	24	12.0~27.6	69.80	5.50	41.20	3,600	340	8.16	B	P,M,U,X	⑤
FD9225B48W4-81	★	48	30.0~52.8	38.40	1.90	25.60	2,000	50	2.40	B,L,S	P,M,U,X	①
FD9225B48W5-81	★	48	30.0~52.8	46.00	2.50	30.40	2,400	60	2.88	B,L,S	P,M,U,X	②
FD9225B48W7-81	★	48	30.0~52.8	54.90	3.40	33.70	2,800	100	4.80	B,L,S	P,M,U,X	③
FD9225B48W9-81	★	48	30.0~52.8	65.30	4.60	37.00	3,200	140	6.72	B,L,S	P,M,U,X	④
FD9225B48W11-81	★	48	30.0~52.8	69.80	5.50	41.20	3,600	170	8.16	B	P,M,U,X	⑤

- For "Long Life" or "Sleeve" bearing versions, change the "B" in the model number to "L" or "S" respectively. Specifications are subject to change without notice
- If model depicts "★", auto restart protection function built in.
- If model depicts "※", UL and TUV approvals can be implemented upon request.



unit: mm(inch)