

DC AXIAL FAN 92x92x25mm



Housing/Blade: Thermoplastic PBT, UL 94V-0
 Insulation Resistance: 10M Ω , 500VDC/min between bare wire and frame
 Dielectric Strength: 5mA max, 500VAC/min between bare wire and frame
 Operation Temperature: -20°C~70°C(Humidity 15%-90%RH)
 Storage Temperature: -40°C~85°C(Humidity 15%-90%RH)
 Lead Wire: UL Type #24 AWG
 Weight: 106 g

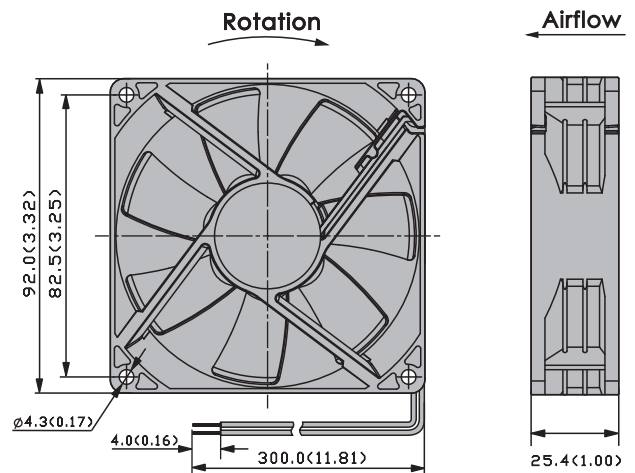
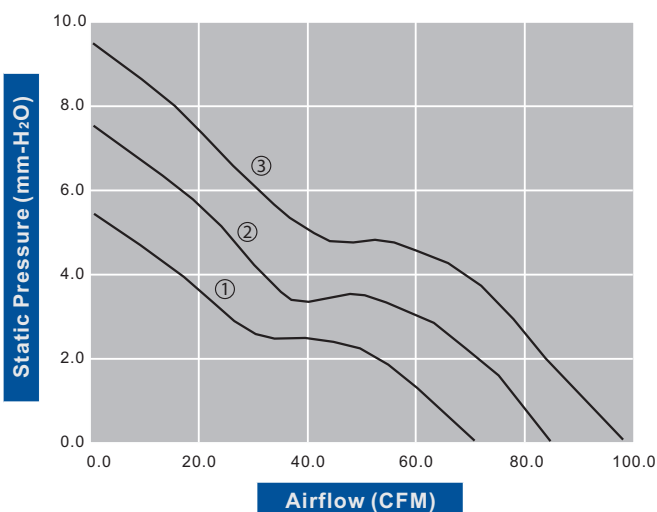


- High Airflow
- High Static Pressure

Model Number		Voltage (VDC)	Op. Voltage (VDC)	AirFlow (CFM)	Static Pres. (mm-H ₂ O)	Noise (dBA)	Speed (RPM)	Current (mA)	Power (W)	Available Bearing	Additional Function (See Page 3)	Curves
FD9225B12W3-84	★	12	6.0~13.8	71.60	5.60	39.90	3,100	180	2.16	B,F	P,M,U,X,Y	①
FD9225B12W5-84	★	12	6.0~13.8	84.90	7.70	43.80	3,700	270	3.24	B,F	P,M,U,X,Y	②
FD9225B12W7-84	★	12	6.0~13.2	97.50	9.50	47.80	4,200	400	4.80	B,F	P,M,U,X,Y	③

- For "Fluid Lubricant" bearing version, change the "B" in the model number to "F".
- If model depicts "★", auto restart protection function built in.

Specifications are subject to change without notice



unit: mm(inch)