

DC AXIAL FAN 80x80x38mm (Stator Outlet Blade)



Housing/Blade: Thermoplastic PBT, UL 94V-0
 Insulation Resistance: 10M Ω , 500VDC/min between bare wire and frame
 Dielectric Strength: 5mA max, 500VAC/min between bare wire and frame
 Operation Temperature: -20°C~70°C(Humidity 15%-90%RH)
 Storage Temperature: -40°C~85°C(Humidity 15%-90%RH)
 Lead Wire: UL Type #24 AWG
 Weight: 215 g

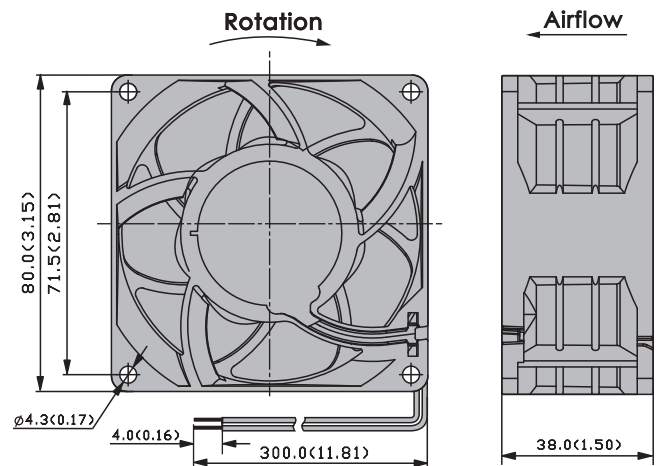
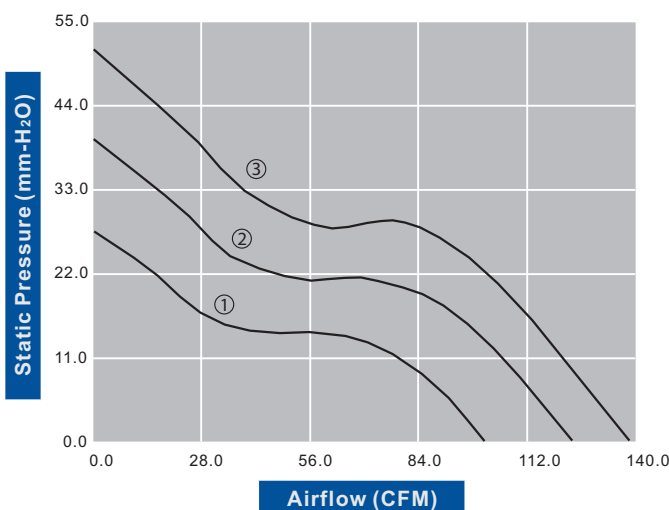


- High Airflow
- Extremely High Static Pressure

Model Number		Voltage (VDC)	Op. Voltage (VDC)	Air Flow (CFM)	Static Pres. (mm-H ₂ O)	Noise (dBA)	Speed (RPM)	Current (mA)	Power (W)	Available Bearing	Additional Function (See Page 3)	Curves
FD8038B12W3-85	★	12	6.0~13.8	99.10	28.20	56.10	7,500	1,460	17.52	B	P,M,U,X,Y	①
FD8038B12W5-85	★	12	6.0~13.8	120.80	40.40	60.60	9,000	2,200	26.40	B	P,M,U,X,Y	②
FD8038B12W7-85	★	12	6.0~13.2	136.50	50.70	64.50	10,200	3,100	37.20	B	P,M,U,X,Y	③
FD8038B24W3-85	★	24	16.0~27.6	99.10	28.20	56.10	7,500	680	16.32	B	P,M,U,X,Y	①
FD8038B24W5-85	★	24	16.0~27.6	120.80	40.40	60.60	9,000	1,100	26.40	B	P,M,U,X,Y	②
FD8038B24W7-85	★	24	16.0~27.6	136.50	50.70	64.50	10,200	1,550	37.20	B	P,M,U,X,Y	③
FD8038B48W3-85	★	48	30.0~55.2	99.10	28.20	56.10	7,500	350	16.80	B	P,M,U,X,Y	①
FD8038B48W5-85	★	48	30.0~55.2	120.80	40.40	60.60	9,000	550	26.40	B	P,M,U,X,Y	②
FD8038B48W7-85	★	48	30.0~55.2	136.50	50.70	64.50	10,200	780	37.44	B	P,M,U,X,Y	③

● If model depicts "★", auto restart protection function built in.

Specifications are subject to change without notice



unit: mm(inch)