

DC AXIAL FAN 80x80x38mm (Stator Outlet Blade)



Housing/Blade: Thermoplastic PBT, UL 94V-0
 Insulation Resistance: 10M Ω , 500VDC/min between bare wire and frame
 Dielectric Strength: 5mA max, 500VAC/min between bare wire and frame
 Operation Temperature: -20°C~70°C(Humidity 15%-90%RH)
 Storage Temperature: -40°C~85°C(Humidity 15%-90%RH)
 Lead Wire: UL Type #24 AWG
 Weight: 175 g



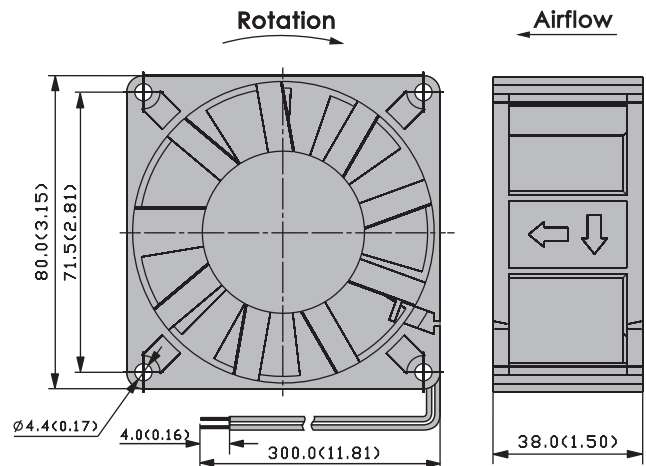
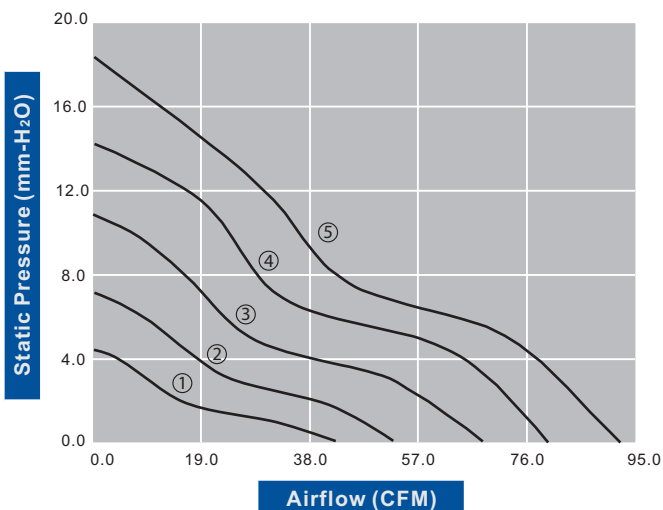
ES **IP** **SF**

- High Airflow
- High Static Pressure

Model Number		Voltage (VDC)	Op. Voltage (VDC)	AirFlow (CFM)	Static Pres. (mm-H ₂ O)	Noise (dBA)	Speed (RPM)	Current (mA)	Power (W)	Available Bearing	Additional Function (See Page 3)	Curves
FD8038B12W3-81	★	12	8.0~13.8	42.10	4.30	37.00	2,600	140	1.68	B	P,M,U,X,Y	①
FD8038B12W5-81	★	12	8.0~13.8	53.00	7.10	42.70	3,400	260	3.12	B	P,M,U,X,Y	②
FD8038B12W7-81	★	12	8.0~13.8	68.00	10.80	48.80	4,200	430	5.16	B	P,M,U,X,Y	③
FD8038B12W9-81	★	12	8.0~13.8	79.70	14.20	53.90	5,000	760	9.12	B	P,M,U,X	④
FD8038B12W11-81	★※	12	8.0~13.8	91.90	18.30	58.10	5,800	980	11.76	B	P,M,U,X	⑤
FD8038B24W3-81	★	24	18.0~27.6	42.10	4.30	37.00	2,600	70	1.68	B	P,M,U,X	①
FD8038B24W5-81	★	24	18.0~27.6	53.00	7.10	42.70	3,400	160	3.84	B	P,M,U,X	②
FD8038B24W7-81	★	24	18.0~27.6	68.00	10.80	48.80	4,200	250	6.00	B	P,M,U,X	③
FD8038B24W9-81	★	24	18.0~27.6	79.70	14.20	53.90	5,000	420	10.08	B	P,M,U,X	④
FD8038B24W11-81	★	24	18.0~27.6	91.90	18.30	58.10	5,800	600	14.40	B	P,M,U,X	⑤
FD8038B48W3-81	★	48	38.0~52.8	42.10	4.30	37.00	2,600	90	4.32	B	P,M,U,X	①
FD8038B48W5-81	★	48	38.0~52.8	53.00	7.10	42.70	3,400	100	4.80	B	P,M,U,X	②
FD8038B48W7-81	★	48	38.0~52.8	68.00	10.80	48.80	4,200	110	5.28	B	P,M,U,X	③
FD8038B48W9-81	★	48	38.0~52.8	79.70	14.20	53.90	5,000	190	9.12	B	P,M,U,X	④

- If model depicts "★", auto restart protection function built in.
- If model depicts "※", UL and TUV approvals can be implemented upon request.

Specifications are subject to change without notice



unit: mm(inch)