

# DC AXIAL FAN 80x80x25mm



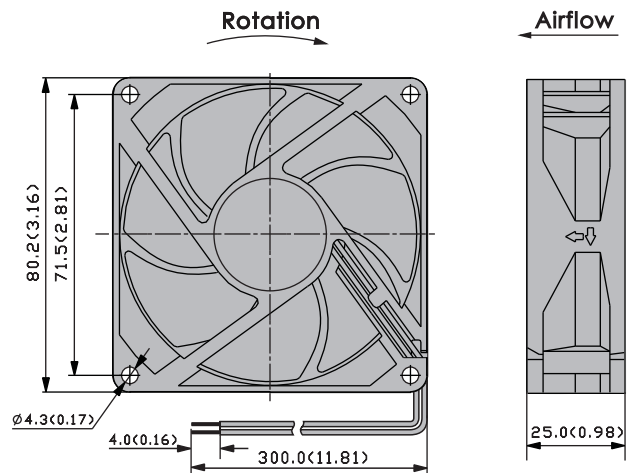
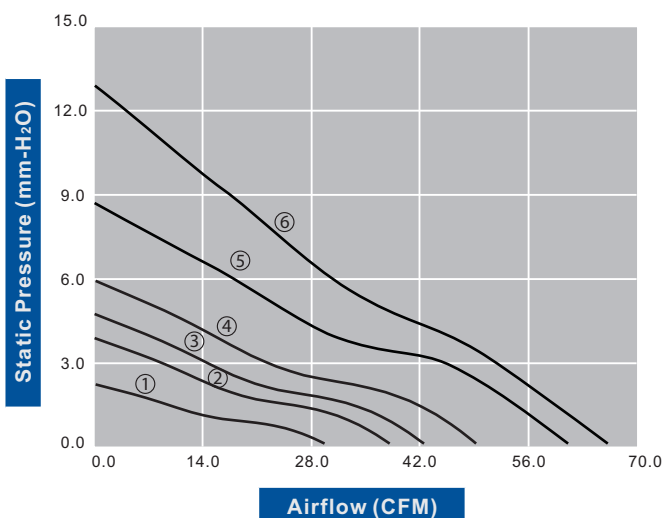
Housing/Blade: Thermoplastic PBT, UL 94V-0  
 Insulation Resistance: 10M $\Omega$ , 500VDC/min between bare wire and frame  
 Dielectric Strength: 5mA max. 500VAC/min between bare wire and frame  
 Operation Temperature: -20°C~70°C(Humidity 15%-90%RH)  
 Storage Temperature: -40°C~85°C(Humidity 15%-90%RH)  
 Lead Wire: UL Type #24 AWG  
 Weight: 100 g



Model Number	Voltage (VDC)	Op.Voltage (VDC)	AirFlow (CFM)	StaticPres. (mm-H <sub>2</sub> O)	Noise (dBA)	Speed (RPM)	Current (mA)	Power (W)	Available Bearing	Additional Function (See Page 3)	Curves
FD8025B12W3-21	12	7.0~13.2	29.20	2.20	26.60	2,300	80	0.96	B,S	P,M,X,Y	①
FD8025B12W5-21	12	7.0~13.2	37.50	3.70	31.50	2,900	130	1.56	B,S	P,M,X,Y	②
FD8025B12W7-21	12	7.0~13.2	42.30	4.60	36.90	3,400	180	2.16	B,S	P,M,X,Y	③
FD8025B12W9-21	12	7.0~13.2	49.20	5.90	38.90	3,700	250	3.00	B,S	P,M,X,Y	④
FD8025B12W11-21	12	7.0~13.2	60.50	8.90	43.30	4,500	390	4.68	B,S	P,M,X,Y	⑤
FD8025B12W12-21	★	7.0~13.2	65.10	12.70	47.30	5,500	500	6.00	B,S	P,M,X,Y	⑥
FD8025B24W3-21	24	12.0~26.4	29.20	2.20	26.60	2,300	60	1.44	B,S	P,M,X,Y	①
FD8025B24W5-21	24	12.0~26.4	37.50	3.70	31.50	2,900	80	1.92	B,S	P,M,X,Y	②
FD8025B24W7-21	24	12.0~26.4	42.30	4.60	36.90	3,400	100	2.40	B,S	P,M,X,Y	③
FD8025B24W9-21	24	12.0~26.4	49.20	5.90	38.90	3,700	140	3.36	B,S	P,M,X,Y	④
FD8025B24W11-21	24	12.0~26.4	60.50	8.90	43.30	4,500	230	5.52	B,S	P,M,X,Y	⑤
FD8025B48W3-21	48	24.0~56.0	37.50	3.70	31.50	2,900	45	2.16	B,S	P,M,X,Y	②
FD8025B48W5-21	48	24.0~56.0	42.30	4.60	36.90	3,400	80	3.84	B,S	P,M,X,Y	③
FD8025B48W7-21	48	24.0~56.0	49.20	5.90	38.90	3,700	90	4.32	B,S	P,M,X,Y	④

- For "Sleeve" bearing version, change the "B" in the model number to "S".
- If model depicts "★", auto restart protection function built in.

Specifications are subject to change without notice



unit: mm(inch)