

DC AXIAL FAN 80x80x25mm



Housing/Blade: Thermoplastic PBT, UL 94V-0
 Insulation Resistance: 10M Ω , 500VDC/min between bare wire and frame
 Dielectric Strength: 5mA max, 500VAC/min between bare wire and frame
 Operation Temperature: -20°C~70°C(Humidity 15%-90%RH)
 Storage Temperature: -40°C~85°C(Humidity 15%-90%RH)
 Lead Wire: UL Type #24 AWG
 Weight: 56 g



ES

IP

SF

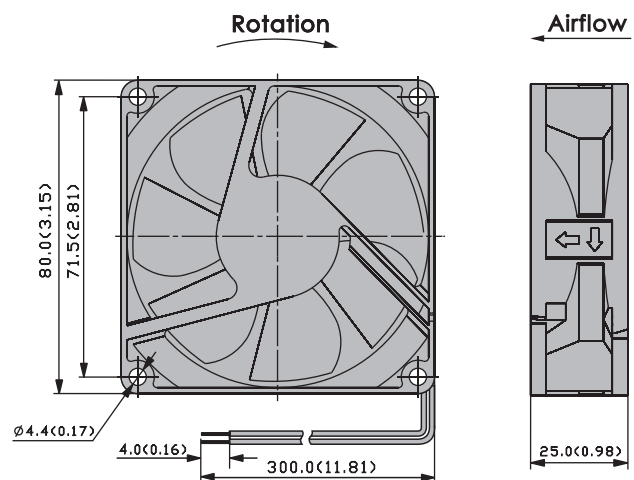
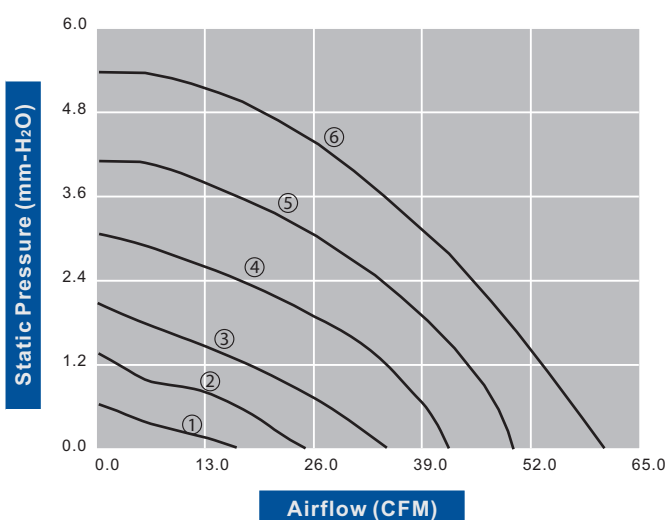


DC Axial Fans

Model Number	Voltage (VDC)	Op. Voltage (VDC)	Air Flow (CFM)	Static Pres. (mm-H ₂ O)	Noise (dBA)	Speed (RPM)	Current (mA)	Power (W)	Available Bearing	Additional Function (See Page 3)	Curves
FD8025B05W4-82	5	4.3~5.5	25.10	1.30	22.60	1,800	120	0.60	B,L,S	P,M,U,X	②
FD8025B05W5-82	5	4.3~5.5	34.10	2.20	29.50	2,400	170	0.85	B,L,S	P,M,U,X	③
FD8025B05W7-82	★	4.3~5.5	41.50	3.00	35.20	3,000	390	1.95	B,L,S	P,M,U,X	④
FD8025B12W3-82	12	8.0~13.8	16.80	0.60	14.10	1,200	40	0.48	B,L,S	P,M,U,X,Y	①
FD8025B12W4-82	12	8.0~13.8	25.10	1.30	22.60	1,800	80	0.96	B,L,S	P,M,U,X,Y	②
FD8025B12W5-82	12	8.0~13.8	34.10	2.20	29.50	2,400	90	1.08	B,L,S	P,M,U,X,Y	③
FD8025B12W7-82	12	8.0~13.8	41.50	3.00	35.20	3,000	180	2.16	B,L,S	P,M,U,X,Y	④
FD8025B12W9-82	12	8.0~13.8	50.00	4.00	39.60	3,600	260	3.12	B,L,S	P,M,U,X	⑤
FD8025B12W10-82	★	8.0~13.8	60.30	5.30	43.80	4,200	540	6.48	B	P,M,U,X	⑥
FD8025B24W4-82	24	12.0~27.6	25.10	1.30	22.60	1,800	60	1.44	B,L,S	P,M,U,X,Y	②
FD8025B24W5-82	24	12.0~27.6	34.10	2.20	29.50	2,400	90	2.16	B,L,S	P,M,U,X,Y	③
FD8025B24W7-82	24	12.0~27.6	41.50	3.00	35.20	3,000	110	2.64	B,L,S	P,M,U,X	④
FD8025B24W9-82	★	12.0~27.6	50.00	4.00	39.60	3,600	180	4.32	B,L,S	P,M,U,X	⑤
FD8025B48W4-82	★	24.0~52.8	25.10	1.30	22.60	1,800	50	2.40	B,L,S	P,M,U,X	②
FD8025B48W5-82	★	24.0~52.8	34.10	2.20	29.50	2,400	60	2.88	B,L,S	P,M,U,X	③
FD8025B48W7-82	★	24.0~52.8	41.50	3.00	35.20	3,000	100	4.80	B,L,S	P,M,U,X	④
FD8025B48W9-82	★	24.0~52.8	50.00	4.00	39.60	3,600	120	5.76	B,L,S	P,M,U,X	⑤

- For "Long Life" or "Sleeve" bearing versions, change the "B" in the model number to "L" or "S" respectively.
- If model depicts "★", auto restart protection function built in.

Specifications are subject to change without notice



unit: mm(inch)