

DC AXIAL FAN 80x80x25mm



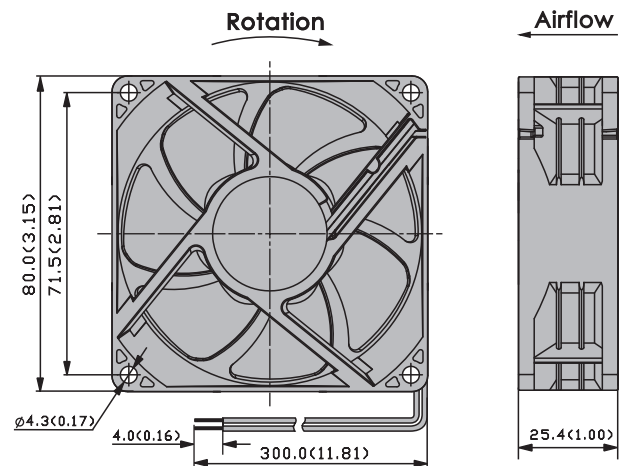
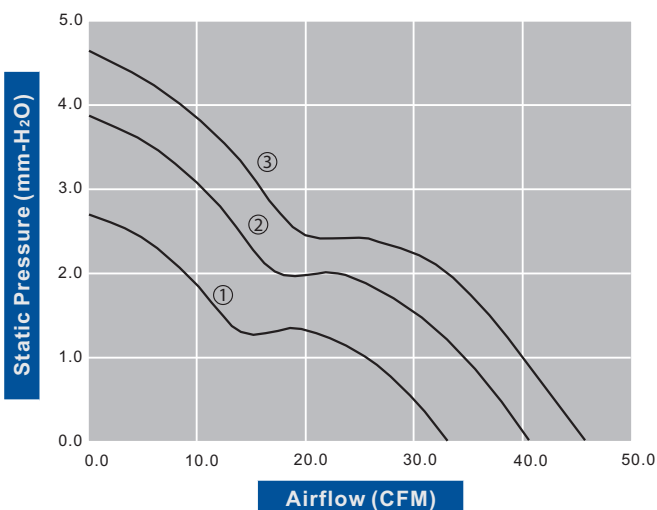
Housing/Blade: Thermoplastic PBT, UL 94V-0
 Insulation Resistance: 10M Ω , 500VDC/min between bare wire and frame
 Dielectric Strength: 5mA max, 500VAC/min between bare wire and frame
 Operation Temperature: -20°C~70°C(Humidity 15%-90%RH)
 Storage Temperature: -40°C~85°C(Humidity 15%-90%RH)
 Lead Wire: UL Type #24 AWG
 Weight: 78 g



Model Number		Voltage (VDC)	Op. Voltage (VDC)	AirFlow (CFM)	Static Pres. (mm-H ₂ O)	Noise (dBA)	Speed (RPM)	Current (mA)	Power (W)	Available Bearing	Additional Function (See Page 3)	Curves
FD8025B12W3-83	★	12	6.0~13.8	33.40	2.80	26.10	2,500	80	0.96	B,F,S	S	①
FD8025B12W5-83	★	12	6.0~13.8	40.60	3.90	32.00	3,000	110	1.32	B,F,S	S	②
FD8025B12W7-83	★	12	6.0~13.0	45.30	4.70	34.50	3,400	170	2.04	B,F,S	S	③
FD8025B24W3-83	★	24	12.0~27.6	33.40	2.80	26.10	2,500	50	1.20	B,F,S	S	①
FD8025B24W5-83	★	24	12.0~27.6	40.60	3.90	32.00	3,000	70	1.68	B,F,S	S	②
FD8025B24W7-83	★	24	12.0~27.6	45.30	4.70	34.50	3,400	80	1.92	B,F,S	S	③

- For "Fluid Lubricant" or "Sleeve" bearing versions, change the "B" in the model number to "F" or "S" respectively.
- If model depicts "★", auto restart protection function built in.

Specifications are subject to change without notice



unit: mm(inch)