

# DC AXIAL FAN 80x80x15mm



Housing/Blade: Thermoplastic PBT, UL 94V-0  
 Insulation Resistance: 10M $\Omega$ , 500VDC/min between bare wire and frame  
 Dielectric Strength: 5mA max. 500VAC/min between bare wire and frame  
 Operation Temperature: -20°C~70°C(Humidity 15%-90%RH)  
 Storage Temperature: -40°C~85°C(Humidity 15%-90%RH)  
 Lead Wire: UL Type #24 AWG  
 Weight: 46 g



**ES** **IP** **SF**

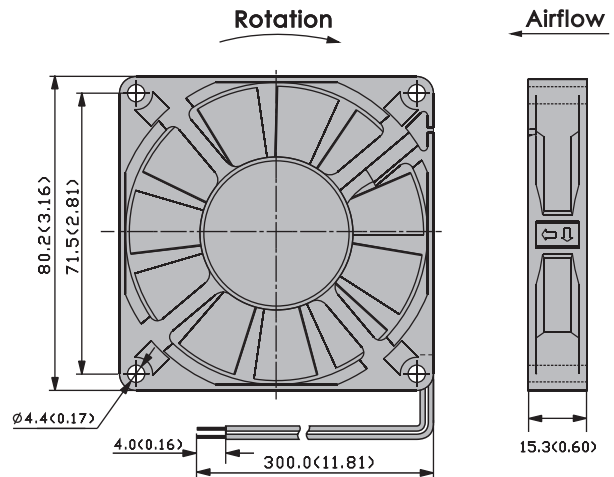
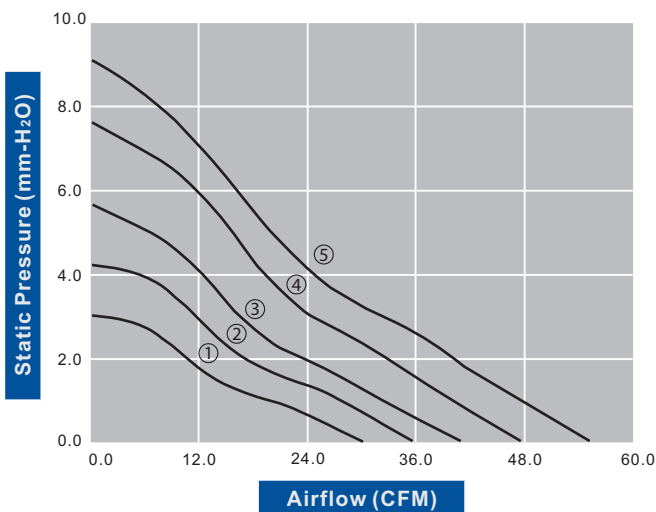


DC Axial Fans

Model Number	Voltage (VDC)	Op. Voltage (VDC)	Air Flow (CFM)	Static Pres. (mm-H <sub>2</sub> O)	Noise (dBA)	Speed (RPM)	Current (mA)	Power (W)	Available Bearing	Additional Function (See Page 3)	Curves
FD8015B12W1-81	12	8.0~13.8	29.70	2.90	30.90	2,500	110	1.32	B,L,S	P,U,X	①
FD8015B12W3-81	12	6.0~13.8	35.70	4.20	36.30	3,000	160	1.92	B,L,S	P,U,X	②
FD8015B12W5-81	12	6.0~13.8	40.70	5.60	41.00	3,500	270	3.24	B,L,S	P,U,X	③
FD8015B12W7-81	★	12	6.0~13.8	47.50	7.40	43.40	380	4.56	B,L,S	P,U,X	④
FD8015B12W9-81	★	12	6.0~13.8	55.10	9.00	46.50	580	6.96	B	P,U,X	⑤
FD8015B24W1-81	24	18.0~27.6	29.70	2.90	30.90	2,500	90	2.16	B,L,S	P,U,X	①
FD8015B24W3-81	24	12.0~27.6	35.70	4.20	36.30	3,000	140	3.36	B,L,S	P,U,X	②
FD8015B24W5-81	★	24	12.0~27.6	40.70	5.60	41.00	180	4.32	B,L,S	P,U,X	③
FD8015B24W7-81	★	24	12.0~27.6	47.50	7.40	43.40	210	5.04	B,L,S	P,U,X	④
FD8015B24W9-81	★	24	12.0~27.6	55.10	9.00	46.50	370	8.88	B	P,U,X	⑤

- For "Long Life" or "Sleeve" bearing versions, change the "B" in the model number to "L" or "S" respectively.
- If model depicts "★", auto restart protection function built in.

Specifications are subject to change without notice



unit: mm(inch)