

DC AXIAL FAN 80x80x15mm



Housing/Blade: Thermoplastic PBT, UL 94V-0
 Insulation Resistance: 10M Ω , 500VDC/min between bare wire and frame
 Dielectric Strength: 5mA max, 500VAC/min between bare wire and frame
 Operation Temperature: -20°C~70°C(Humidity 15%-90%RH)
 Storage Temperature: -40°C~85°C(Humidity 15%-90%RH)
 Lead Wire: UL Type #24 AWG
 Weight: 59 g



ES

IP

SF

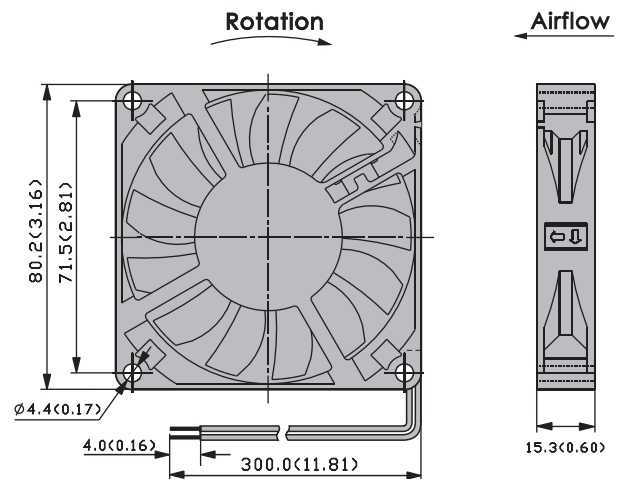
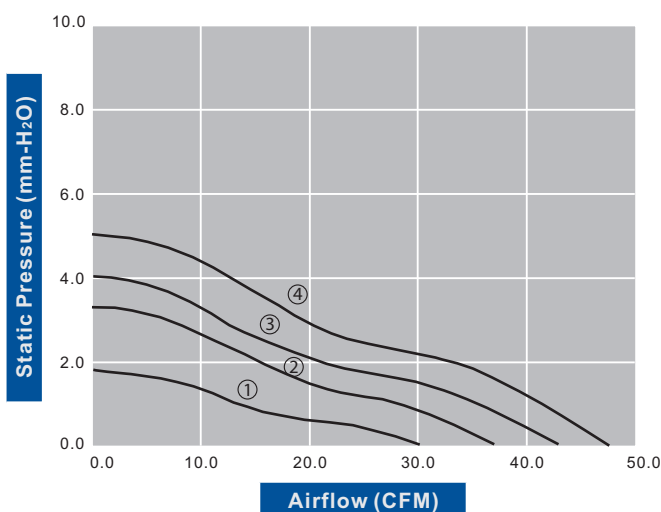


DC Axial Fans

Model Number	Voltage (VDC)	Op. Voltage (VDC)	AirFlow (CFM)	Static Pres. (mm-H ₂ O)	Noise (dBA)	Speed (RPM)	Current (mA)	Power (W)	Available Bearing	Additional Function (See Page 3)	Curves
FD8015B12W1-82	12	6.0~13.8	30.00	1.80	25.00	2,000	100	1.20	B,L,S	P,U,X	①
FD8015B12W3-82	12	6.0~13.8	37.60	2.70	31.70	2,500	190	2.28	B,L,S	P,U,X	②
FD8015B12W5-82	12	6.0~13.8	43.10	4.00	35.60	3,000	260	3.12	B,L,S	P,U,X	③
FD8015B12W7-82	★	12	6.0~13.8	47.50	5.00	40.50	430	5.16	B,L,S	P,U,X	④
FD8015B24W1-82	24	12.0~27.6	30.00	1.80	25.00	2,000	100	2.40	B,L,S	P,U,X	①
FD8015B24W3-82	24	12.0~27.6	38.40	2.80	31.70	2,500	120	2.88	B,L,S	P,U,X	②
FD8015B24W5-82	★	24	12.0~27.6	43.10	4.00	3,000	150	3.60	B,L,S	P,U,X	③
FD8015B24W7-82	★	24	12.0~27.6	47.50	5.00	40.50	260	6.24	B,L,S	P,U,X	④

- For "Long Life" or "Sleeve" bearing versions, change the "B" in the model number to "L" or "S" respectively.
- If model depicts "★", auto restart protection function built in.

Specifications are subject to change without notice



unit: mm(inch)