

# DC AXIAL FAN 80x80x15mm



Housing/Blade: Thermoplastic PBT, UL 94V-0  
 Insulation Resistance: 10MΩ, 500VDC/min between bare wire and frame  
 Dielectric Strength: 5mA max. 500VAC/min between bare wire and frame  
 Operation Temperature: -10°C~70°C(Humidity 35%-85%RH)  
 Storage Temperature: -40°C~70°C(Humidity 35%-85%RH)  
 Lead Wire: UL Type #26 AWG  
 Weight: 46 g



SS

SF

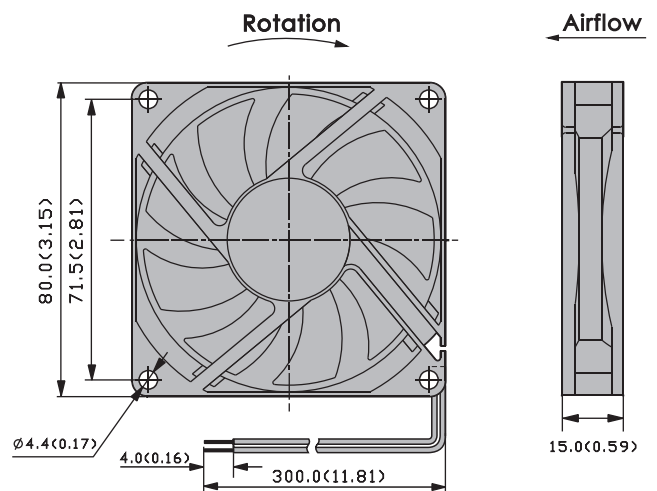
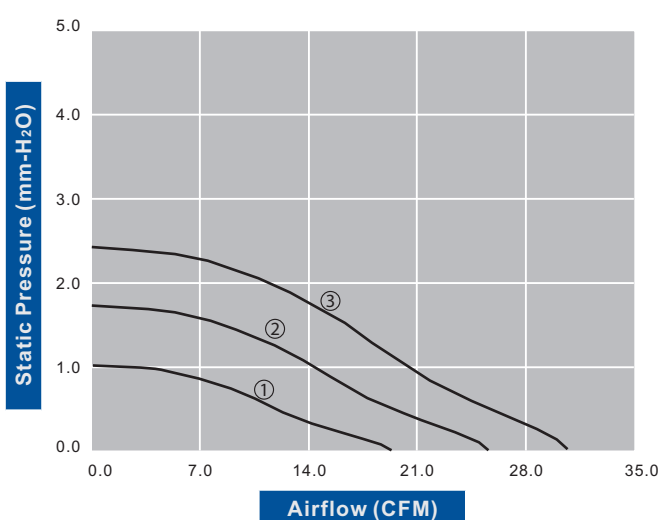


DC Axial Fans

Model Number	Voltage (VDC)	Op. Voltage (VDC)	AirFlow (CFM)	Static Pres. (mm-H <sub>2</sub> O)	Noise (dBA)	Speed (RPM)	Current (mA)	Power (W)	Available Bearing	Additional Function (See Page 3)	Curves
FD8015B05W3-71	5	4.0~5.5	19.30	1.00	23.80	2,000	140	0.70	B,C,L,S	S	①
FD8015B05W5-71	5	4.0~5.5	25.30	1.70	29.40	2,500	180	0.90	B,C,L,S	S	②
FD8015B05W7-71	5	4.0~5.5	30.60	2.40	34.10	3,000	260	1.30	B,C,L,S	S	③
FD8015B12W3-71	12	10.8~13.2	19.30	1.00	23.80	2,000	90	1.08	B,C,L,S	S	①
FD8015B12W5-71	12	10.8~13.2	25.30	1.70	29.40	2,500	140	1.68	B,C,L,S	S	②
FD8015B12W7-71	12	10.8~13.2	30.60	2.40	34.10	3,000	170	2.04	B,C,L,S	S	③
FD8015B24W3-71	24	17.0~28.0	19.30	1.00	23.80	2,000	70	1.68	B,C,L,S	S	①
FD8015B24W5-71	24	17.0~28.0	25.30	1.70	29.40	2,500	100	2.40	B,C,L,S	S	②
FD8015B24W7-71	24	17.0~28.0	30.60	2.40	34.10	3,000	140	3.36	B,C,L,S	S	③

• For "One Ball & One Sleeve", "Long Life", or "Sleeve" bearing versions, change the "B" in the model number to "C", "L", or "S" respectively.

Specifications are subject to change without notice



unit: mm(inch)