

DC AXIAL FAN 80x80x15mm



Housing/Blade: Thermoplastic PBT, UL 94V-0
 Insulation Resistance: 10M Ω , 500VDC/min between bare wire and frame
 Dielectric Strength: 5mA max. 500VAC/min between bare wire and frame
 Operation Temperature: -20°C~70°C(Humidity 15%-90%RH)
 Storage Temperature: -40°C~85°C(Humidity 15%-90%RH)
 Lead Wire: UL Type #26 AWG
 Weight: 64 g



ES IP SF

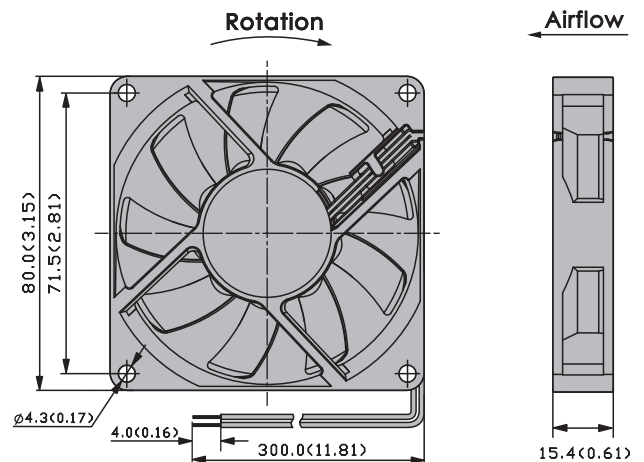
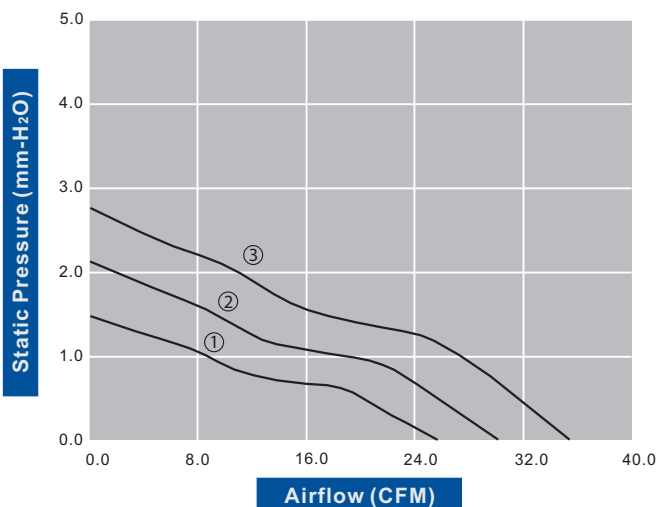


DC Axial Fans

Model Number	Voltage (VDC)	Op.Voltage (VDC)	AirFlow (CFM)	StaticPres. (mm-H ₂ O)	Noise (dBA)	Speed (RPM)	Current (mA)	Power (W)	Available Bearing	Additional Function (See Page 3)	Curves
FD8015B05W3-83	5	4.0~5.75	25.50	1.50	22.20	2,100	140	0.70	B,F,S	S	①
FD8015B05W5-83	5	4.0~5.75	30.90	2.10	26.10	2,500	190	0.95	B,F,S	S	②
FD8015B05W7-83	5	4.0~5.75	36.00	2.80	31.00	2,900	330	1.65	B,F,S	S	③
FD8015B12W3-83	★	12	6.0~13.8	25.50	1.50	2,100	70	0.84	B,F,S	S	①
FD8015B12W5-83	★	12	6.0~13.8	30.90	2.10	2,500	100	1.20	B,F,S	S	②
FD8015B12W7-83	★	12	6.0~13.8	36.00	2.80	2,900	140	1.68	B,F,S	S	③
FD8015B24W5-83	★	24	12.0~27.6	30.90	2.10	2,500	60	1.44	B,F,S	S	②
FD8015B24W7-83	★	24	12.0~26.0	36.00	2.80	2,900	110	2.64	B,F,S	S	③

- For "Fluid Lubricant" or "Sleeve" bearing versions, change the "B" in the model number to "F" or "S" respectively.
- If model depicts "★", auto restart protection function built in.

Specifications are subject to change without notice



unit: mm(inch)