

DC AXIAL FAN 80x80x15mm



Housing/Blade: Thermoplastic PBT, UL 94V-0
 Insulation Resistance: 10M Ω , 500VDC/min between bare wire and frame
 Dielectric Strength: 5mA max, 500VAC/min between bare wire and frame
 Operation Temperature: -20°C~70°C(Humidity 15%-90%RH)
 Storage Temperature: -40°C~85°C(Humidity 15%-90%RH)
 Lead Wire: UL Type #26 AWG
 Weight: 59 g



ES

IP

SF

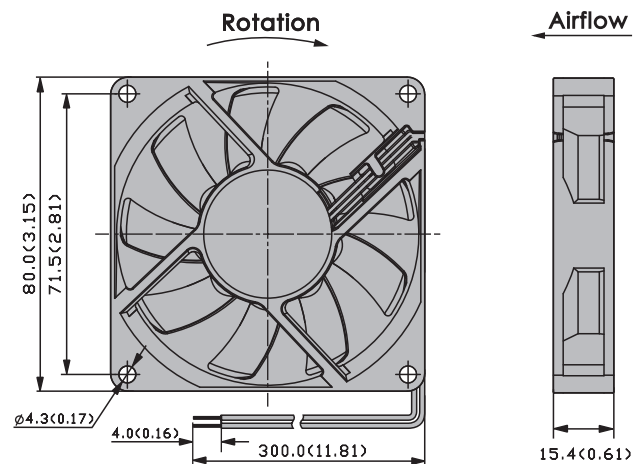
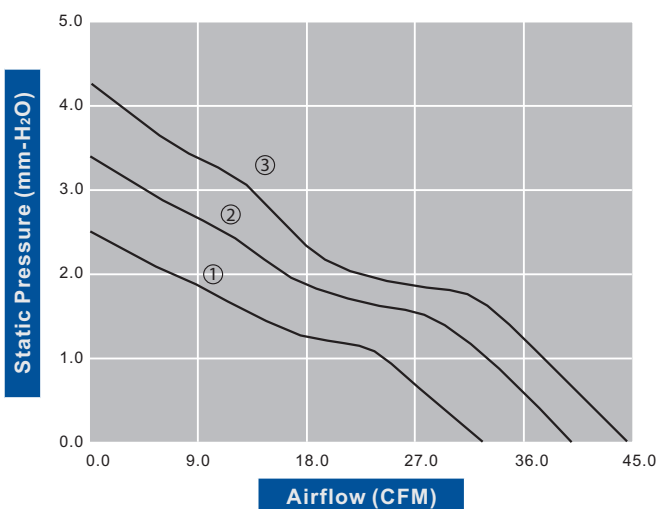


DC Axial Fans

| Model Number | | Voltage (VDC) | Op.Voltage (VDC) | Air Flow (CFM) | Static Pres. (mm-H ₂ O) | Noise (dBA) | Speed (RPM) | Current (mA) | Power (W) | Available Bearing | Additional Function (See Page 3) | Curves |
|----------------|---|---------------|------------------|----------------|------------------------------------|-------------|-------------|--------------|-----------|-------------------|----------------------------------|--------|
| FD8015B05W3-84 | ★ | 5 | 4.5~5.5 | 32.80 | 2.50 | 28.10 | 2,600 | 160 | 0.80 | B,F | P,M | ① |
| FD8015B05W5-84 | ★ | 5 | 4.5~5.5 | 38.90 | 3.30 | 34.50 | 3,100 | 260 | 1.30 | B,F | P,M | ② |
| FD8015B12W3-84 | ★ | 12 | 6.0~13.8 | 32.80 | 2.50 | 28.10 | 2,600 | 90 | 1.08 | B,F | P,M | ① |
| FD8015B12W5-84 | ★ | 12 | 6.0~13.8 | 38.90 | 3.30 | 34.50 | 3,100 | 150 | 1.80 | B,F | P,M | ② |
| FD8015B12W7-84 | ★ | 12 | 6.0~13.8 | 44.70 | 4.20 | 37.40 | 3,500 | 180 | 2.16 | B,F | P,M | ③ |

- For "Fluid Lubricant " bearing version, change the "B" in the model number to "F".
- If model depicts "★", auto restart protection function built in.

Specifications are subject to change without notice



unit: mm(inch)