

# DC AXIAL FAN 80x80x10mm



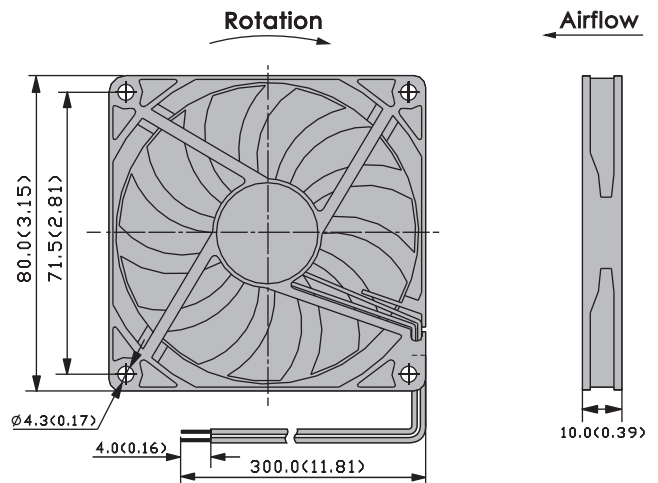
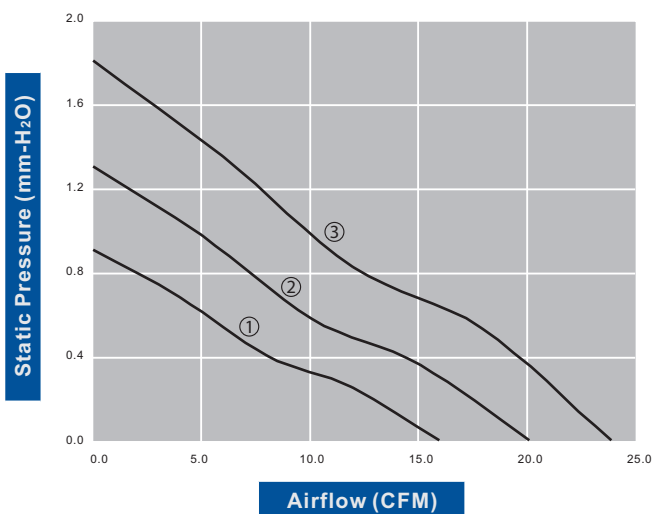
Housing/Blade: Thermoplastic PBT, UL 94V-0  
 Insulation Resistance: 10M $\Omega$ , 500VDC/min between bare wire and frame  
 Dielectric Strength: 5mA max, 500VAC/min between bare wire and frame  
 Operation Temperature: -10°C~70°C(Humidity 35%-85%RH)  
 Storage Temperature: -40°C~70°C(Humidity 35%-85%RH)  
 Lead Wire: UL Type #26 AWG  
 Weight: 35 g



Model Number	Voltage (VDC)	Op.Voltage (VDC)	AirFlow (CFM)	StaticPres. (mm-H <sub>2</sub> O)	Noise (dBA)	Speed (RPM)	Current (mA)	Power (W)	Available Bearing	Additional Function (See Page 3)	Curves
FD8010C12W3-71	12	10.8~13.2	15.80	0.90	21.70	2,000	120	1.44	C,L,S	S	①
FD8010C12W5-71	12	10.8~13.2	20.00	1.30	25.90	2,500	180	2.16	C,L,S	S	②
FD8010C12W7-71	12	10.8~13.2	23.80	1.80	30.30	3,000	240	2.88	C,L,S	S	③
FD8010C24W3-71	24	17.0~28.0	15.80	0.90	21.70	2,000	80	1.92	C,L,S	S	①
FD8010C24W5-71	24	17.0~28.0	20.00	1.30	25.90	2,500	110	2.64	C,L,S	S	②
FD8010C24W7-71	24	17.0~28.0	23.80	1.80	30.30	3,000	140	3.36	C,L,S	S	③

• For "Long Life" or "Sleeve" bearing versions, change the "C" in the model number to "L" or "S" respectively.

Specifications are subject to change without notice



unit: mm(inch)