

DC AXIAL FAN 80x80x10mm



Housing/Blade: Thermoplastic PBT, UL 94V-0
 Insulation Resistance: 10M Ω , 500VDC/min between bare wire and frame
 Dielectric Strength: 5mA max, 500VAC/min between bare wire and frame
 Operation Temperature: -20°C~70°C(Humidity 15%-90%RH)
 Storage Temperature: -40°C~85°C(Humidity 15%-90%RH)
 Lead Wire: UL Type #26 AWG
 Weight: 43 g



ES

IP

SF

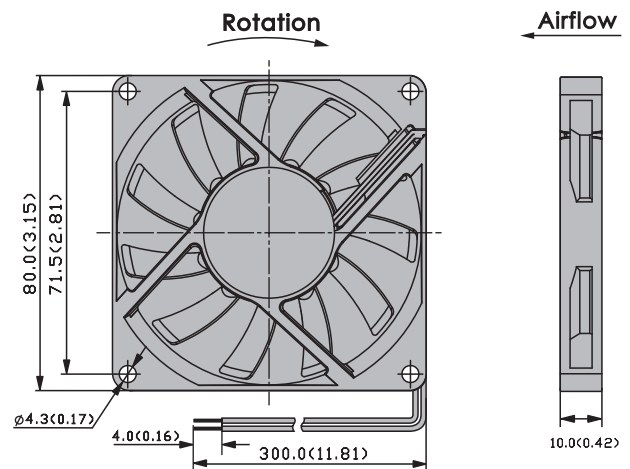
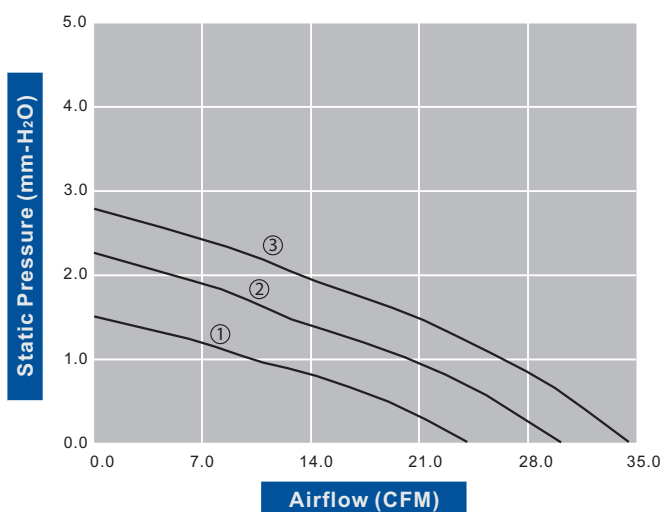


DC Axial Fans

Model Number		Voltage (VDC)	Op.Voltage (VDC)	AirFlow (CFM)	StaticPres. (mm-H ₂ O)	Noise (dBA)	Speed (RPM)	Current (mA)	Power (W)	Available Bearing	Additional Function (See Page 3)	Curves
FD8010B05W3-84	★	5	4.5~5.5	24.30	1.50	27.60	2,400	160	0.80	B,F	P,M	①
FD8010B05W5-84	★	5	4.5~5.5	29.90	2.20	32.50	2,900	280	1.40	B,F	P,M	②
FD8010B12W3-84	★	12	6.0~13.8	24.30	1.50	27.60	2,400	90	1.08	B,F	P,M	①
FD8010B12W5-84	★	12	6.0~13.8	29.90	2.20	32.50	2,900	120	1.44	B,F	P,M	②
FD8010B12W7-84	★	12	6.0~13.8	34.10	2.80	35.50	3,300	160	1.92	B,F	P,M	③

- For "Fluid Lubricant " bearing version, change the "B" in the model number to "F".
- If model depicts "★", auto restart protection function built in.

Specifications are subject to change without notice



unit: mm(inch)