

# DC AXIAL FAN 80x80x10mm



Housing/Blade: Thermoplastic PBT, UL 94V-0  
 Insulation Resistance: 10M $\Omega$ , 500VDC/min between bare wire and frame  
 Dielectric Strength: 5mA max, 500VAC/min between bare wire and frame  
 Operation Temperature: -20°C~70°C(Humidity 15%-90%RH)  
 Storage Temperature: -40°C~85°C(Humidity 15%-90%RH)  
 Lead Wire: UL Type #26 AWG  
 Weight: 43 g



**ES** **IP** **SF**

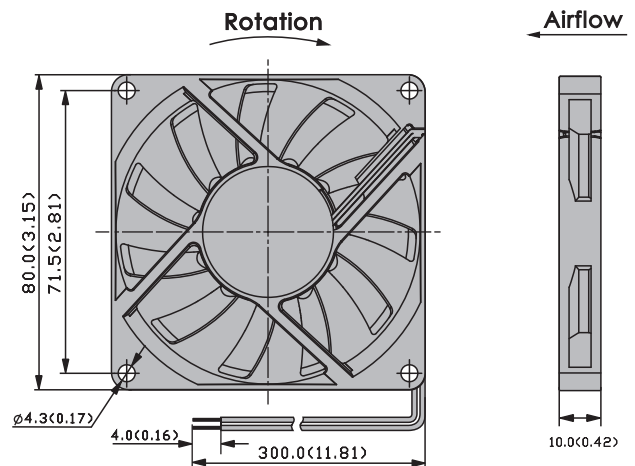
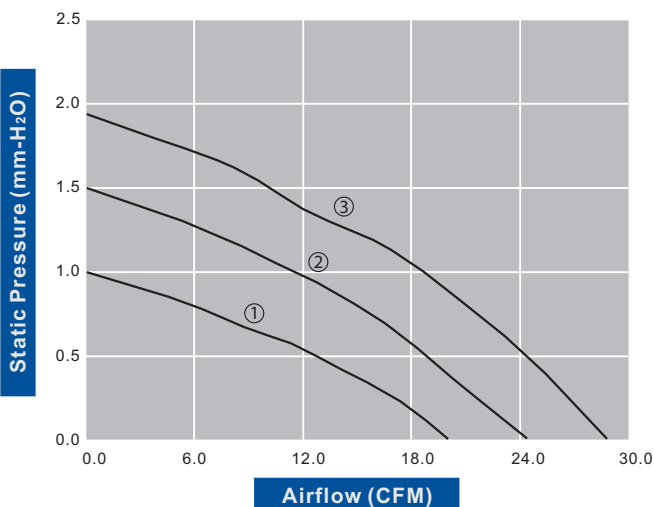


DC Axial Fans

Model Number	Voltage (VDC)	Op. Voltage (VDC)	AirFlow (CFM)	Static Pres. (mm-H <sub>2</sub> O)	Noise (dBA)	Speed (RPM)	Current (mA)	Power (W)	Available Bearing	Additional Function (See Page 3)	Curves
FD8010B05W3-83	5	4.0~5.75	20.00	1.00	22.20	2,000	120	0.60	B,F,S	S	①
FD8010B05W5-83	5	4.0~5.75	24.80	1.50	27.60	2,400	220	1.10	B,F,S	S	②
FD8010B05W7-83	5	4.0~5.75	28.40	1.90	31.50	2,800	400	2.00	B,F,S	S	③
FD8010B12W3-83	★ 12	6.0~13.8	20.00	1.00	22.20	2,000	90	1.08	B,F,S	S	①
FD8010B12W5-83	★ 12	6.0~13.8	24.80	1.50	27.60	2,400	130	1.56	B,F,S	S	②
FD8010B12W7-83	★ 12	6.0~12.6	28.40	1.90	31.50	2,800	200	2.40	B,F,S	S	③

- For "Fluid Lubricant" or "Sleeve" bearing versions, change the "B" in the model number to "F" or "S" respectively.
- If model depicts "★", auto restart protection function built in.

Specifications are subject to change without notice



unit: mm(inch)