

DC AXIAL FAN 70x70x38mm (Stator Outlet Blade)



Housing/Blade: Thermoplastic PBT, UL 94V-0
 Insulation Resistance: 10MΩ, 500VDC/min between bare wire and frame
 Dielectric Strength: 5mA max, 500VAC/min between bare wire and frame
 Operation Temperature: -20°C~70°C(Humidity 15%-90%RH)
 Storage Temperature: -40°C~85°C(Humidity 15%-90%RH)
 Lead Wire: UL Type #24 AWG
 Weight: 122 g

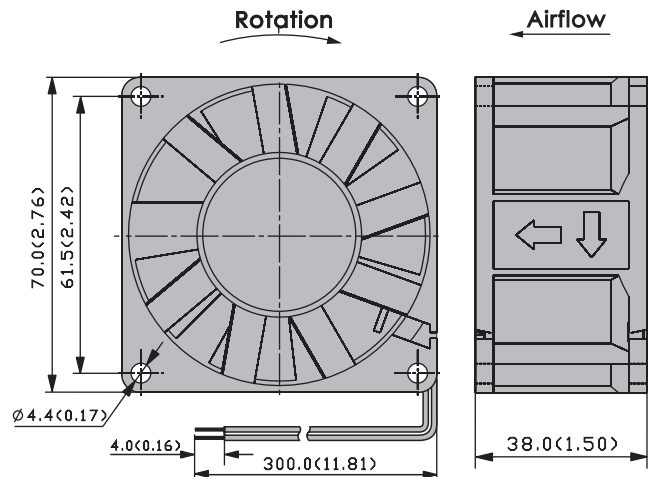
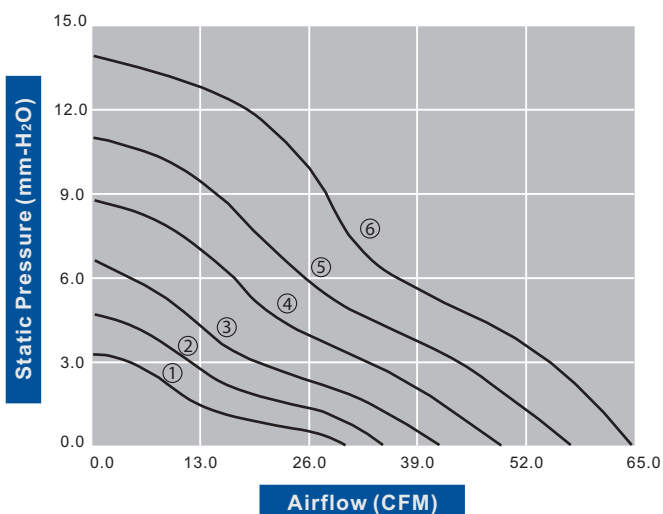


- High Airflow
- High Static Pressure

Model Number		Voltage (VDC)	Op. Voltage (VDC)	AirFlow (CFM)	Static Pres. (mm-H ₂ O)	Noise (dBA)	Speed (RPM)	Current (mA)	Power (W)	Available Bearing	Additional Function (See Page 3)	Curves
FD7038B12W1-81	★	12	8.0~13.8	29.70	3.20	32.10	2,600	130	1.56	B	P,M,U,X	①
FD7038B12W3-81	★	12	8.0~13.8	34.90	4.70	37.40	3,200	160	1.92	B	P,M,U,X	②
FD7038B12W5-81	★	12	8.0~13.8	41.30	6.60	41.90	3,800	240	2.88	B	P,M,U,X	③
FD7038B12W7-81	★	12	8.0~13.8	49.60	8.70	45.20	4,400	320	3.84	B	P,M,U,X	④
FD7038B12W9-81	★	12	8.0~13.8	57.10	11.10	48.90	5,000	430	5.16	B	P,M,U,X	⑤
FD7038B12W11-81	★	12	8.0~13.8	64.70	13.90	52.90	5,600	680	8.16	B	P,M,U,X	⑥
FD7038B24W1-81	★	24	18.0~27.6	29.70	3.20	32.10	2,600	60	1.44	B	P,M,U,X	①
FD7038B24W3-81	★	24	18.0~27.6	34.90	4.70	37.40	3,200	80	1.92	B	P,M,U,X	②
FD7038B24W5-81	★	24	18.0~27.6	41.30	6.60	41.90	3,800	100	2.40	B	P,M,U,X	③
FD7038B24W7-81	★	24	18.0~27.6	49.60	8.70	45.20	4,400	150	3.60	B	P,M,U,X	④
FD7038B24W9-81	★	24	18.0~27.6	57.10	11.10	48.90	5,000	200	4.80	B	P,M,U,X	⑤
FD7038B24W11-81	★	24	18.0~27.6	64.70	13.90	52.90	5,600	260	6.24	B	P,M,U,X	⑥
FD7038B48W1-81	★	48	38.0~52.8	29.70	3.20	32.10	2,600	80	3.84	B	P,M,U,X	①
FD7038B48W3-81	★	48	38.0~52.8	34.90	4.70	37.40	3,200	100	4.80	B	P,M,U,X	②
FD7038B48W5-81	★	48	38.0~52.8	41.30	6.60	41.90	3,800	160	7.68	B	P,M,U,X	③
FD7038B48W7-81	★	48	38.0~52.8	49.60	8.70	45.20	4,400	200	9.60	B	P,M,U,X	④

● If model depicts "★", auto restart protection function built in.

Specifications are subject to change without notice



unit: mm(inch)