

DC AXIAL FAN 70x70x15mm



Housing/Blade: Thermoplastic PBT, UL 94V-0
 Insulation Resistance: 10M Ω , 500VDC/min between bare wire and frame
 Dielectric Strength: 5mA max, 500VAC/min between bare wire and frame
 Operation Temperature: -20°C~70°C(Humidity 15%-90%RH)
 Storage Temperature: -40°C~85°C(Humidity 15%-90%RH)
 Lead Wire: UL Type #24 AWG
 Weight: 57 g



ES IP SF

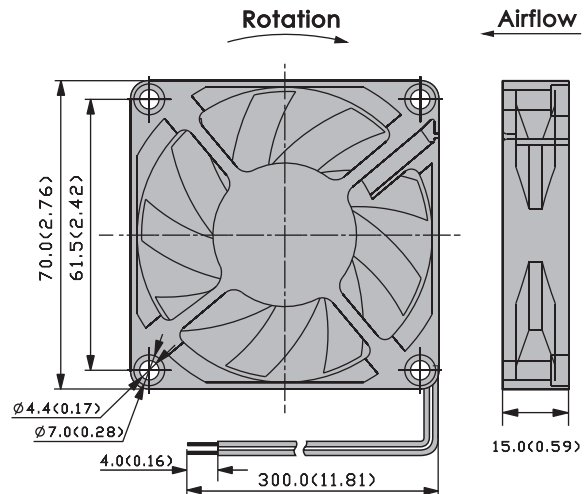
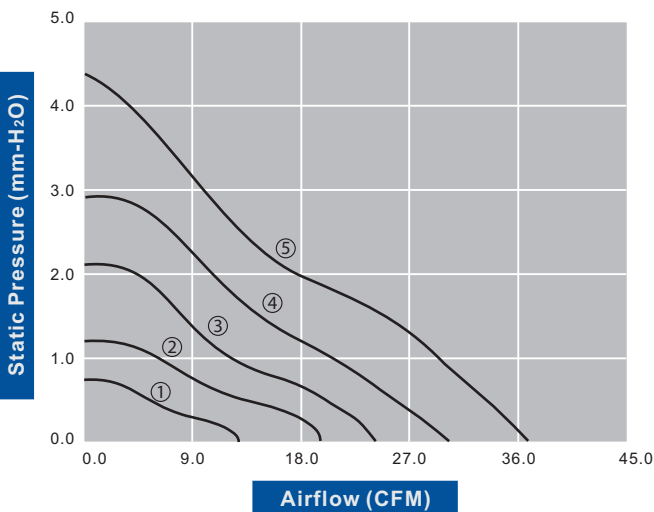


DC Axial Fans

Model Number		Voltage (VDC)	Op. Voltage (VDC)	Air Flow (CFM)	Static Pres. (mm-H ₂ O)	Noise (dBA)	Speed (RPM)	Current (mA)	Power (W)	Available Bearing	Additional Function (See Page 3)	Curves
FD7015B12W1-81	★	12	8.0~13.8	12.50	0.70	18.80	1,400	50	0.60	B,L,S	P,M,U,X	①
FD7015B12W2-81	★	12	8.0~13.8	19.50	1.20	21.70	2,000	80	0.96	B,L,S	P,M,U,X	②
FD7015B12W3-81		12	6.0~13.8	24.60	2.10	27.10	2,600	100	1.20	B,L,S	P,M,U,X	③
FD7015B12W5-81		12	6.0~13.8	29.70	2.90	31.90	3,200	150	1.80	B,L,S	P,M,U,X	④
FD7015B12W7-81		12	6.0~13.8	36.50	4.30	36.60	3,800	240	2.88	B,L,S	P,M,U,X	⑤
FD7015B24W3-81		24	12.0~27.6	24.60	2.10	27.10	2,600	80	1.92	B,L,S	P,M,U,X	③
FD7015B24W5-81		24	12.0~27.6	29.70	2.90	31.90	3,200	90	2.16	B,L,S	P,M,U,X	④
FD7015B24W7-81		24	12.0~27.6	36.50	4.30	36.60	3,800	130	3.12	B,L,S	P,M,U,X	⑤

- For "Long Life" or "Sleeve" bearing versions, change the "B" in the model number to "L" or "S" respectively.
- If model depicts "★", auto restart protection function built in.

Specifications are subject to change without notice



unit: mm(inch)