

# DC AXIAL FAN 70x70x10mm



Housing/Blade: Thermoplastic PBT, UL 94V-0  
 Insulation Resistance: 10M $\Omega$ , 500VDC/min between bare wire and frame  
 Dielectric Strength: 5mA max, 500VAC/min between bare wire and frame  
 Operation Temperature: -20°C~70°C(Humidity 15%-90%RH)  
 Storage Temperature: -40°C~85°C(Humidity 15%-90%RH)  
 Lead Wire: UL Type #24 AWG  
 Weight: 43 g



ES

IP

SF

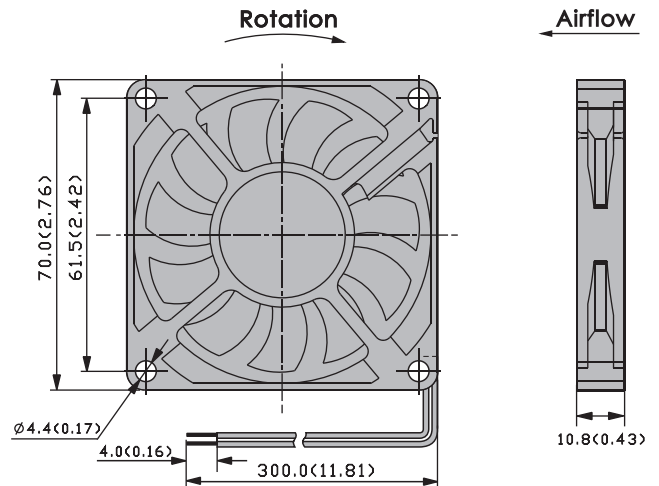
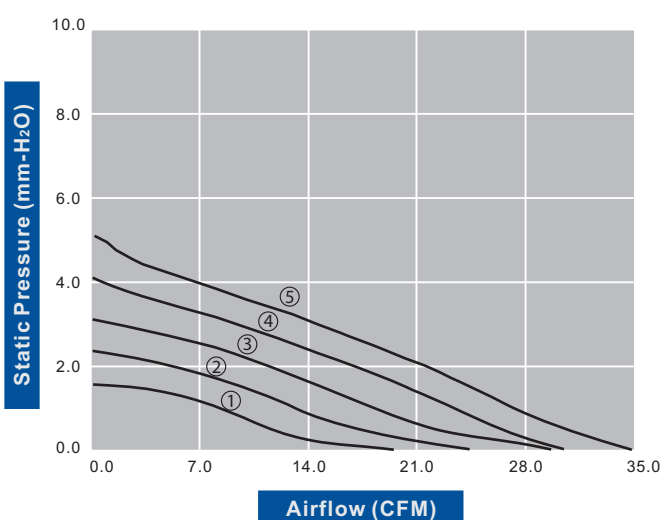


DC Axial Fans

Model Number	Voltage (VDC)	Op. Voltage (VDC)	Air Flow (CFM)	Static Pres. (mm-H <sub>2</sub> O)	Noise (dBA)	Speed (RPM)	Current (mA)	Power (W)	Available Bearing	Additional Function (See Page 3)	Curves	
FD7010B05W1-81	※	5	4.0~5.5	19.20	1.50	25.50	2,600	180	0.90	B,L,S	P,M,U,X	①
FD7010B05W3-81	※	5	4.0~5.5	24.30	2.30	31.60	3,200	260	1.30	B,L,S	P,M,U,X	②
FD7010B05W5-81	※	5	4.0~5.5	29.40	3.10	35.10	3,800	390	1.95	B,L,S	P,M,U,X	③
FD7010B12W1-81		12	6.0~13.8	19.20	1.50	25.50	2,600	80	0.96	B,L,S	P,M,U,X	①
FD7010B12W3-81		12	6.0~13.8	24.30	2.30	31.60	3,200	140	1.68	B,L,S	P,M,U,X	②
FD7010B12W5-81		12	6.0~13.8	29.40	3.10	35.10	3,800	210	2.52	B,L,S	P,M,U,X	③
FD7010B12W7-81	★	12	6.0~13.8	29.80	4.10	39.30	4,400	370	4.44	B	P,M,U,X	④
FD7010B12W9-81	★	12	6.0~13.8	34.90	5.10	42.10	5,000	330	3.96	B	P,M,U,X	⑤
FD7010B24W1-81		24	12.0~27.6	19.20	1.50	25.50	2,600	80	1.92	B,L,S	P,M,U,X	①
FD7010B24W3-81		24	12.0~27.6	24.30	2.30	31.60	3,200	110	2.64	B,L,S	P,M,U,X	②
FD7010B24W5-81		24	12.0~27.6	29.40	3.10	35.10	3,800	150	3.60	B,L,S	P,M,U,X	③
FD7010B24W7-81	★	24	12.0~27.6	29.80	4.10	39.30	4,400	180	4.32	B	P,M,U,X	④

- For "Long Life" or "Sleeve" bearing versions, change the "B" in the model number to "L" or "S" respectively.
- If model depicts "★", auto restart protection function built in.
- If model depicts "※", UL and TUV approvals can be implemented upon request.

Specifications are subject to change without notice



unit: mm(inch)