

DC AXIAL FAN 70x70x10mm



Housing/Blade: Thermoplastic PBT, UL 94V-0
 Insulation Resistance: 10M Ω , 500VDC/min between bare wire and frame
 Dielectric Strength: 5mA max. 500VAC/min between bare wire and frame
 Operation Temperature: -20°C~70°C(Humidity 15%-90%RH)
 Storage Temperature: -40°C~85°C(Humidity 15%-90%RH)
 Lead Wire: UL Type #26 AWG
 Weight: 35 g



ES **IP** **SF**

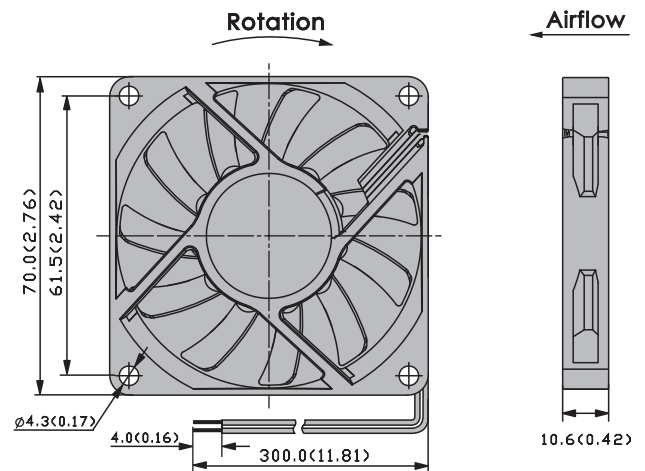
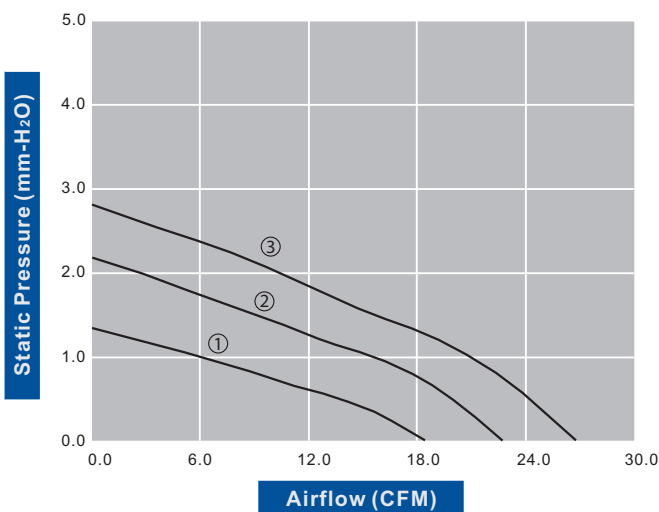


DC Axial Fans

Model Number	Voltage (VDC)	Op. Voltage (VDC)	Air Flow (CFM)	Static Pres. (mm-H ₂ O)	Noise (dBA)	Speed (RPM)	Current (mA)	Power (W)	Available Bearing	Additional Function (See Page 3)	Curves
FD7010B05W3-83	5	4.0~5.75	18.40	1.40	24.10	2,600	160	0.80	B,F,S	S	①
FD7010B05W5-83	5	4.0~5.75	22.90	2.20	30.00	3,200	260	1.30	B,F,S	S	②
FD7010B05W7-83	5	4.0~5.75	26.20	2.80	33.00	3,600	340	1.70	B,F,S	S	③
FD7010B12W3-83	12	6.0~13.8	18.40	1.40	24.10	2,600	80	0.96	B,F,S	S	①
FD7010B12W5-83	12	6.0~13.8	22.90	2.20	30.00	3,200	120	1.44	B,F,S	S	②
FD7010B12W7-83	12	6.0~13.8	26.20	2.80	33.00	3,600	190	2.28	B,F,S	S	③

• For "Fluid Lubricant" or "Sleeve" bearing versions, change the "B" in the model number to "F" or "S" respectively.

Specifications are subject to change without notice



unit: mm(inch)