

# DC AXIAL FAN 60x60x25mm



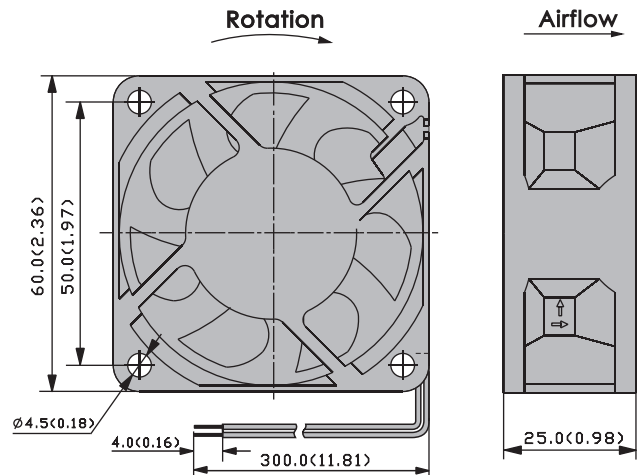
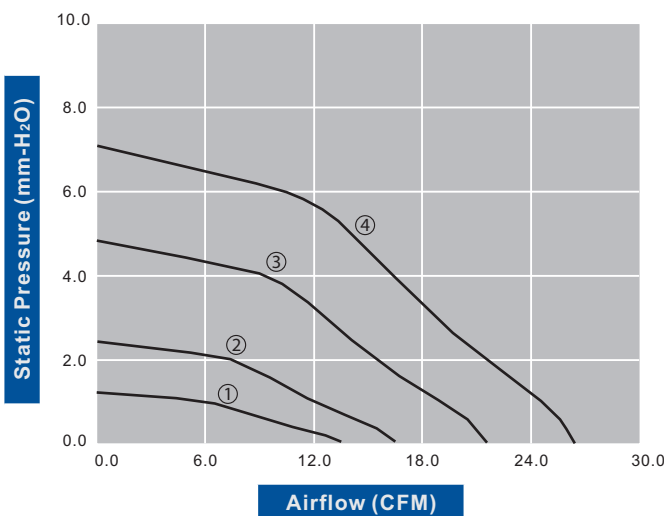
Housing/Blade: Thermoplastic PBT, UL 94V-0  
 Insulation Resistance: 10M $\Omega$ , 500VDC/min between bare wire and frame  
 Dielectric Strength: 5mA max. 500VAC/min between bare wire and frame  
 Operation Temperature: -10°C~70°C(Humidity 35%-85%RH)  
 Storage Temperature: -40°C~70°C(Humidity 35%-85%RH)  
 Lead Wire: UL Type #26 AWG  
 Weight: 55 g



Model Number	Voltage (VDC)	Op. Voltage (VDC)	AirFlow (CFM)	Static Pres. (mm-H <sub>2</sub> O)	Noise (dBA)	Speed (RPM)	Current (mA)	Power (W)	Available Bearing	Additional Function (See Page 3)	Curves
FD6025B12W1-71	12	10.8~13.2	13.40	1.20	18.70	2,500	80	0.96	B,C,L,S	S	①
FD6025B12W3-71	12	10.8~13.2	16.10	2.40	22.10	3,000	80	0.96	B,C,L,S	S	②
FD6025B12W5-71	12	10.8~13.2	21.40	4.80	28.90	4,000	130	1.56	B,C,L,S	S	③
FD6025B12W7-71	★※	12	10.8~13.2	26.70	6.00	36.10	220	2.64	B,C,L,S	S	④
FD6025B24W1-71	24	17.0~28.0	13.40	1.20	18.70	2,500	90	2.16	B,C,L,S	S	①
FD6025B24W3-71	24	17.0~28.0	16.10	2.40	22.10	3,000	100	2.40	B,C,L,S	S	②
FD6025B24W5-71	24	17.0~28.0	21.40	4.80	28.90	4,000	140	3.36	B,C,L,S	S	③
FD6025B24W7-71	★※	24	17.0~28.0	26.70	6.00	36.10	170	4.08	B,C,L,S	S	④

- For "One Ball & One Sleeve", "Long Life", or "Sleeve" bearing versions, change the "B" in the model number to "C", "L", or "S" respectively.
- If model depicts "★", auto restart protection function built in.
- If model depicts "※", UL and TUV approvals can be implemented upon request.

Specifications are subject to change without notice



unit: mm(inch)