

DC AXIAL FAN 60x60x25mm



Housing/Blade: Thermoplastic PBT, UL 94V-0
 Insulation Resistance: 10MΩ, 500VDC/min between bare wire and frame
 Dielectric Strength: 5mA max. 500VAC/min between bare wire and frame
 Operation Temperature: -20°C~70°C(Humidity 15%-90%RH)
 Storage Temperature: -40°C~85°C(Humidity 15%-90%RH)
 Lead Wire: UL Type #24 AWG
 Weight: 68 g



ES IP SF

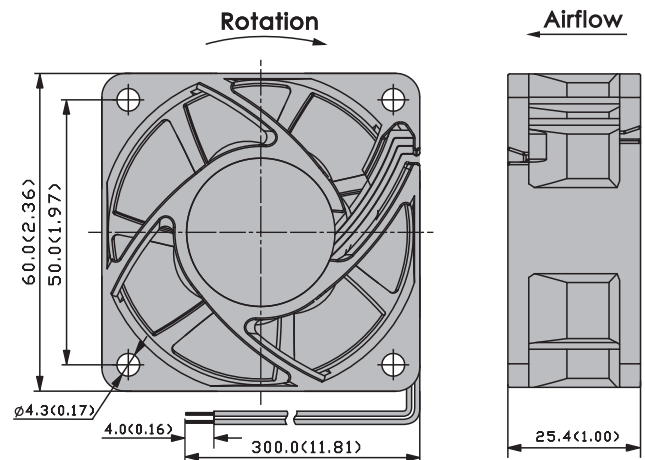
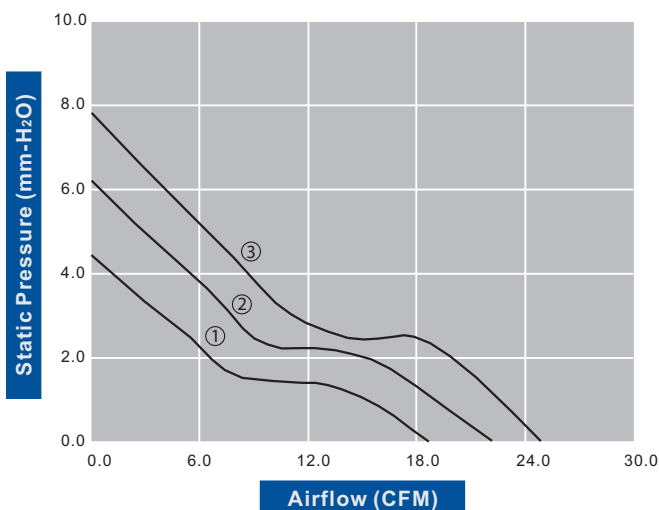


DC Axial Fans

Model Number	Voltage (VDC)	Op. Voltage (VDC)	Air Flow (CFM)	Static Pres. (mm-H ₂ O)	Noise (dBA)	Speed (RPM)	Current (mA)	Power (W)	Available Bearing	Additional Function (See Page 3)	Curves
FD6025B12W3-83	12	6.0~13.8	18.10	4.30	27.60	3,500	80	0.96	B,F,S	S	①
FD6025B12W5-83	12	6.0~13.8	22.10	6.10	32.00	4,200	100	1.20	B,F,S	S	②
FD6025B12W7-83	12	6.0~13.8	25.00	7.80	35.00	4,800	130	1.56	B,F,S	S	③
FD6025B24W3-83	★ 24	12.0~27.6	18.10	4.30	27.60	3,500	50	1.20	B,F,S	S	①
FD6025B24W5-83	★ 24	12.0~27.6	22.10	6.10	32.00	4,200	60	1.44	B,F,S	S	②
FD6025B24W7-83	★ 24	12.0~27.6	25.00	7.80	35.00	4,800	70	1.68	B,F,S	S	③

- For "Fluid Lubricant" or "Sleeve" bearing versions, change the "B" in the model number to "F" or "S" respectively.
- If model depicts "★", auto restart protection function built in.

Specifications are subject to change without notice



unit: mm(inch)