

DC AXIAL FAN 60x60x25mm



Housing/Blade: Thermoplastic PBT, UL 94V-0
 Insulation Resistance: 10MΩ, 500VDC/min between bare wire and frame
 Dielectric Strength: 5mA max. 500VAC/min between bare wire and frame
 Operation Temperature: -20°C~70°C(Humidity 15%-90%RH)
 Storage Temperature: -40°C~85°C(Humidity 15%-90%RH)
 Lead Wire: UL Type #24 AWG
 Weight: 85 g



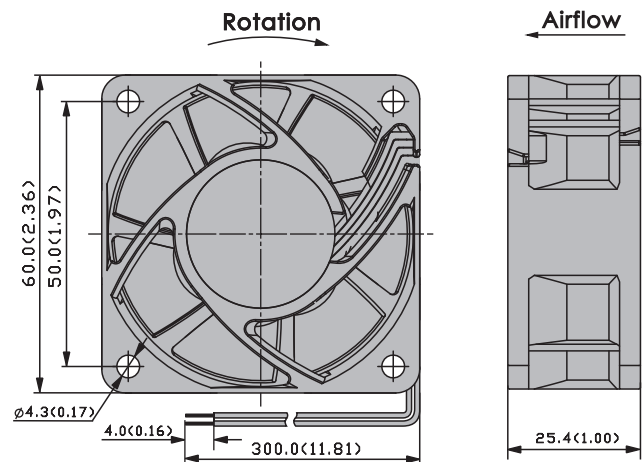
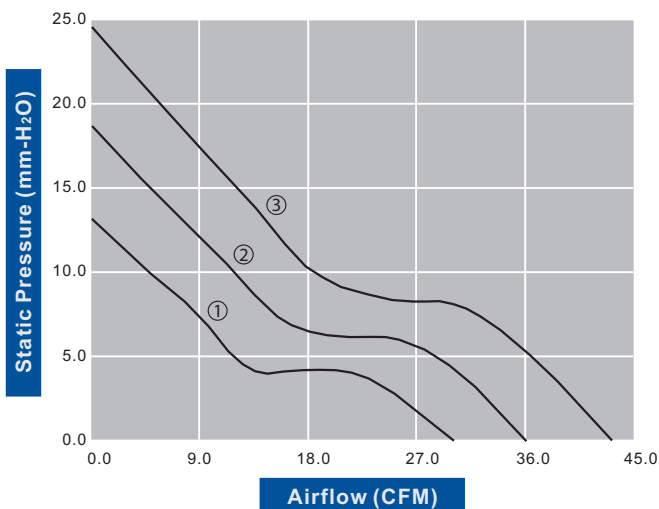
ES **IP** **SF**

- High Airflow
- Extremely High Static Pressure

Model Number		Voltage (VDC)	Op. Voltage (VDC)	AirFlow (CFM)	Static Pres. (mm-H ₂ O)	Noise (dBA)	Speed (RPM)	Current (mA)	Power (W)	Available Bearing	Additional Function (See Page 3)	Curves
FD6025B12W3-85	★	12	6.0~13.8	30.10	13.20	40.90	5,800	210	2.52	B	P,M,U,X,Y	①
FD6025B12W5-85	★	12	6.0~13.8	36.00	18.20	45.30	7,000	320	3.84	B	P,M,U,X,Y	②
FD6025B12W7-85	★	12	6.0~13.8	43.40	24.90	49.70	8,000	480	5.76	B	P,M,U,X,Y	③
FD6025B24W3-85	★	24	16.0~27.6	30.10	13.20	40.90	5,800	110	2.64	B	P,M,U,X,Y	①
FD6025B24W5-85	★	24	16.0~27.6	36.00	18.20	44.80	7,000	160	3.84	B	P,M,U,X,Y	②
FD6025B24W7-85	★	24	16.0~27.6	43.40	24.90	49.70	8,000	220	5.28	B	P,M,U,X,Y	③
FD6025B48W3-85	★	48	30.0~55.2	30.10	13.20	40.90	5,800	60	2.88	B	P,M,U,X,Y	①
FD6025B48W5-85	★	48	30.0~55.2	36.00	18.20	44.80	7,000	100	4.80	B	P,M,U,X,Y	②
FD6025B48W7-85	★	48	30.0~55.2	43.40	24.90	49.70	8,000	140	6.72	B	P,M,U,X,Y	③

● If model depicts "★", auto restart protection function built in.

Specifications are subject to change without notice



unit: mm(inch)

