

# DC AXIAL FAN 60x60x25mm



Housing/Blade: Thermoplastic PBT, UL 94V-0  
 Insulation Resistance: 10M $\Omega$ , 500VDC/min between bare wire and frame  
 Dielectric Strength: 5mA max. 500VAC/min between bare wire and frame  
 Operation Temperature: -20°C~70°C(Humidity 15%-90%RH)  
 Storage Temperature: -40°C~85°C(Humidity 15%-90%RH)  
 Lead Wire: UL Type #24 AWG  
 Weight: 44 g



ES

IP

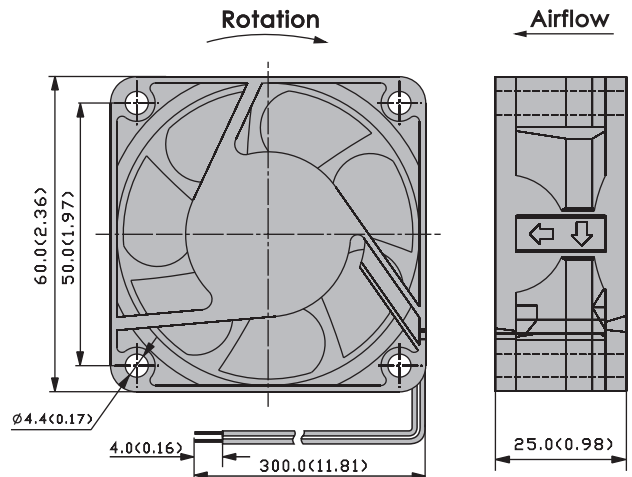
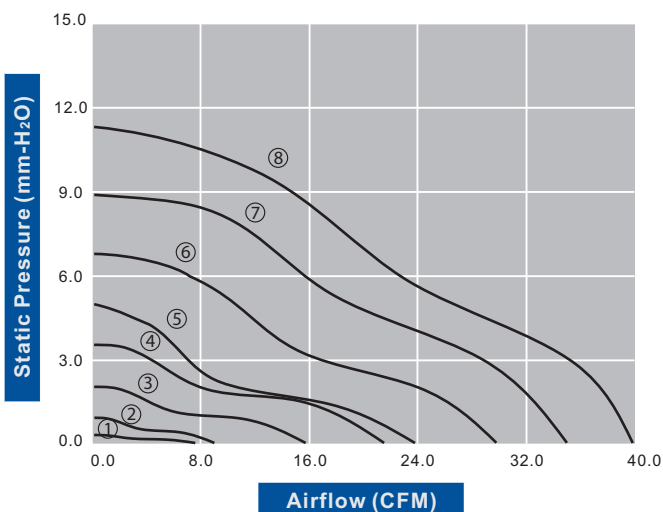
SF



DC Axial Fans

| Model Number    | Voltage (VDC) | Op.Voltage (VDC) | AirFlow (CFM) | StaticPres. (mm-H <sub>2</sub> O) | Noise (dBA) | Speed (RPM) | Current (mA) | Power (W) | Available Bearing | Additional Function (See Page 3) | Curves |
|-----------------|---------------|------------------|---------------|-----------------------------------|-------------|-------------|--------------|-----------|-------------------|----------------------------------|--------|
| FD6025B05W3-81  | 5             | 4.0~5.5          | 22.10         | 3.50                              | 30.80       | 3,400       | 280          | 1.40      | B,L,S             | P,M,U,X                          | ④      |
| FD6025B05W5-81  | ★ 5           | 4.0~5.5          | 23.90         | 4.90                              | 35.20       | 4,200       | 250          | 1.25      | B,L,S             | P,M,U,X                          | ⑤      |
| FD6025B05W7-81  | ★ 5           | 4.0~5.5          | 29.80         | 6.80                              | 39.40       | 5,000       | 520          | 2.60      | B,L,S             | P,M,U,X                          | ⑥      |
| FD6025B12W01-81 | 12            | 8.0~13.8         | 7.10          | 0.30                              | 7.00        | 1,000       | 30           | 0.36      | B,L,S             | P,M,U,X,Y                        | ①      |
| FD6025B12W00-81 | 12            | 8.0~13.8         | 8.70          | 0.90                              | 19.40       | 1,800       | 50           | 0.60      | B,L,S             | P,M,U,X,Y                        | ②      |
| FD6025B12W1-81  | 12            | 6.0~13.8         | 15.70         | 2.00                              | 23.90       | 2,600       | 70           | 0.84      | B,L,S             | P,M,U,X,Y                        | ③      |
| FD6025B12W3-81  | 12            | 6.0~13.8         | 22.10         | 3.50                              | 30.80       | 3,400       | 130          | 1.56      | B,L,S             | P,M,U,X,Y                        | ④      |
| FD6025B12W5-81  | 12            | 6.0~13.8         | 23.90         | 4.90                              | 35.20       | 4,200       | 180          | 2.16      | B,L,S             | P,M,U,X,Y                        | ⑤      |
| FD6025B12W7-81  | ★ 12          | 6.0~13.8         | 29.80         | 6.80                              | 39.40       | 5,000       | 210          | 2.52      | B,L,S             | P,M,U,X                          | ⑥      |
| FD6025B12W9-81  | ★ 12          | 6.0~13.8         | 34.60         | 8.80                              | 43.50       | 5,800       | 380          | 4.56      | B                 | P,M,U,X                          | ⑦      |
| FD6025B12W11-81 | ★ 12          | 6.0~13.8         | 39.60         | 11.30                             | 47.80       | 6,600       | 520          | 6.24      | B                 | P,M,U,X                          | ⑧      |
| FD6025B24W00-81 | 24            | 18.0~27.6        | 8.70          | 0.90                              | 19.40       | 1,800       | 30           | 0.72      | B,L,S             | P,M,U,X,Y                        | ②      |
| FD6025B24W1-81  | 24            | 12.0~27.6        | 15.70         | 2.00                              | 23.90       | 2,600       | 50           | 1.20      | B,L,S             | P,M,U,X,Y                        | ③      |
| FD6025B24W3-81  | 24            | 12.0~27.6        | 22.10         | 3.50                              | 30.80       | 3,400       | 70           | 1.68      | B,L,S             | P,M,U,X,Y                        | ④      |
| FD6025B24W5-81  | 24            | 12.0~27.6        | 23.90         | 4.90                              | 35.20       | 4,200       | 140          | 3.36      | B,L,S             | P,M,U,X                          | ⑤      |
| FD6025B24W7-81  | ★ 24          | 12.0~27.6        | 29.80         | 6.80                              | 39.40       | 5,000       | 160          | 3.84      | B,L,S             | P,M,U,X                          | ⑥      |
| FD6025B24W9-81  | ★ 24          | 12.0~27.6        | 34.60         | 8.80                              | 43.50       | 5,800       | 210          | 5.04      | B                 | P,M,U,X                          | ⑦      |
| FD6025B24W11-81 | ★ 24          | 12.0~27.6        | 39.60         | 11.30                             | 47.80       | 6,600       | 260          | 6.24      | B                 | P,M,U,X                          | ⑧      |
| FD6025B48W00-81 | ★ 48          | 38.0~52.8        | 8.70          | 0.90                              | 19.40       | 1,800       | 20           | 0.96      | B,L,S             | P,M,U,X                          | ②      |
| FD6025B48W1-81  | ★ 48          | 38.0~52.8        | 15.70         | 2.00                              | 23.90       | 2,600       | 30           | 1.44      | B,L,S             | P,M,U,X                          | ③      |
| FD6025B48W3-81  | ★ 48          | 38.0~52.8        | 22.10         | 3.50                              | 30.80       | 3,400       | 60           | 2.88      | B,L,S             | P,M,U,X                          | ④      |
| FD6025B48W5-81  | ★ 48          | 38.0~52.8        | 23.90         | 4.90                              | 35.20       | 4,200       | 70           | 3.36      | B,L,S             | P,M,U,X                          | ⑤      |
| FD6025B48W7-81  | ★ 48          | 38.0~52.8        | 29.80         | 6.80                              | 39.40       | 5,000       | 90           | 4.32      | B,L,S             | P,M,U,X                          | ⑥      |
| FD6025B48W9-81  | ★ 48          | 38.0~52.8        | 34.60         | 8.80                              | 43.50       | 5,800       | 110          | 5.28      | B                 | P,M,U,X                          | ⑦      |
| FD6025B48W11-81 | ★ 48          | 38.0~52.8        | 39.60         | 11.30                             | 47.80       | 6,600       | 160          | 7.68      | B                 | P,M,U,X                          | ⑧      |

- For "Long Life" or "Sleeve" bearing versions, change the "B" in the model number to "L" or "S" respectively. Specifications are subject to change without notice
- If model depicts "★", auto restart protection function built in.



unit: mm(inch)