

# DC AXIAL FAN 60x60x25mm



Housing/Blade: Thermoplastic PBT, UL 94V-0  
 Insulation Resistance: 10MΩ, 500VDC/min between bare wire and frame  
 Dielectric Strength: 5mA max. 500VAC/min between bare wire and frame  
 Operation Temperature: -20°C~70°C(Humidity 15%-90%RH)  
 Storage Temperature: -40°C~85°C(Humidity 15%-90%RH)  
 Lead Wire: UL Type #24 AWG  
 Weight: 79 g



ES

IP

SF

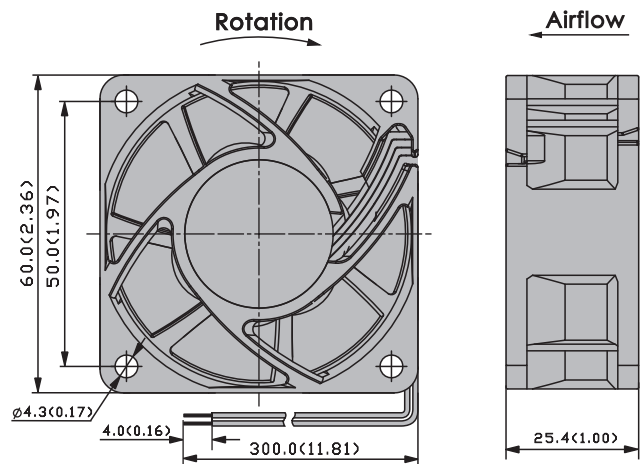
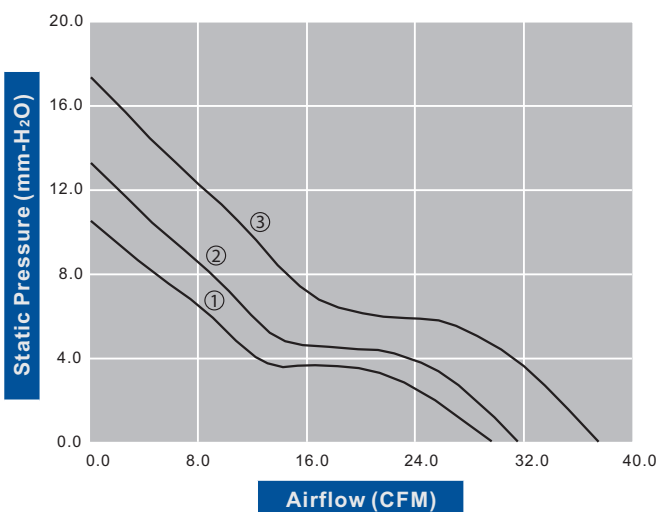


DC Axial Fans

Model Number	Voltage (VDC)	Op. Voltage (VDC)	Air Flow (CFM)	Static Pres. (mm-H <sub>2</sub> O)	Noise (dBA)	Speed (RPM)	Current (mA)	Power (W)	Available Bearing	Additional Function (See Page 3)	Curves
FD6025B12W3-84	★ 12	6.0~13.8	29.20	10.60	40.40	5,500	170	2.04	B,F	P,M	①
FD6025B12W5-84	★ 12	6.0~13.8	31.70	13.20	42.40	6,100	210	2.52	B,F	P,M	②
FD6025B12W7-84	★ 12	6.0~13.2	36.80	17.20	47.30	7,000	320	3.84	B,F	P,M	③

- For "Fluid Lubricant" bearing version, change the "B" in the model number to "F".
- If model depicts "★", auto restart protection function built in.

Specifications are subject to change without notice



unit: mm(inch)